

ValuFlo 750 PUMP

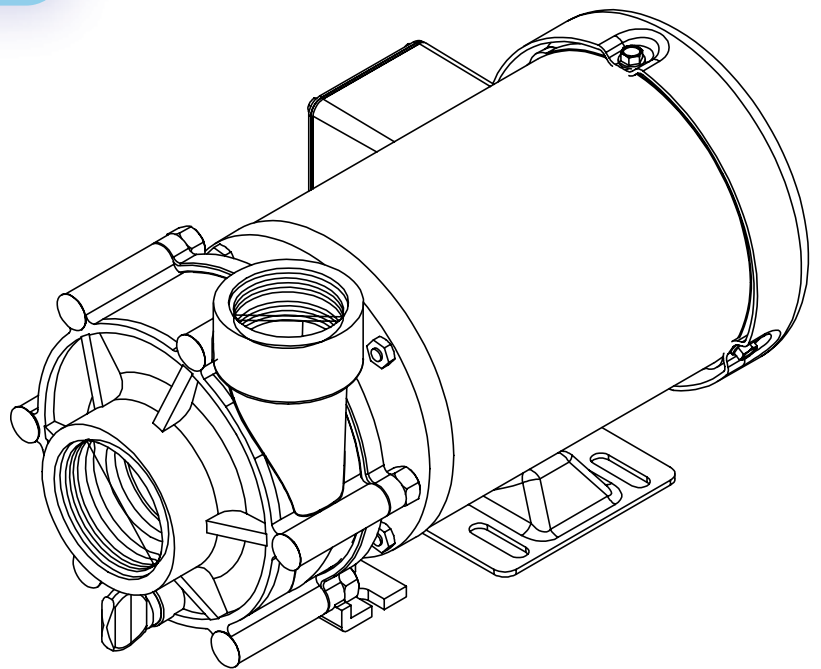
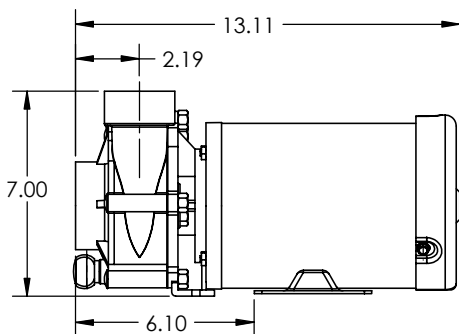
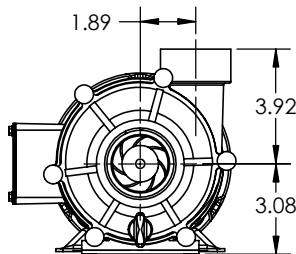


TECHNICAL SPECIFICATIONS
PERFORMANCE CURVES
PRODUCT PHOTOS

ValuFlo 750

ValuFlo - 4200VAF12

The compact 750 series delivers big flow for little power. Great for smaller and simple ponds (3,000 gallons or less). The motor is totally-enclosed fan-cooled for durability. 115V only. 18 month limited warranty. Supplied with an 8-foot cordset. Made in USA.



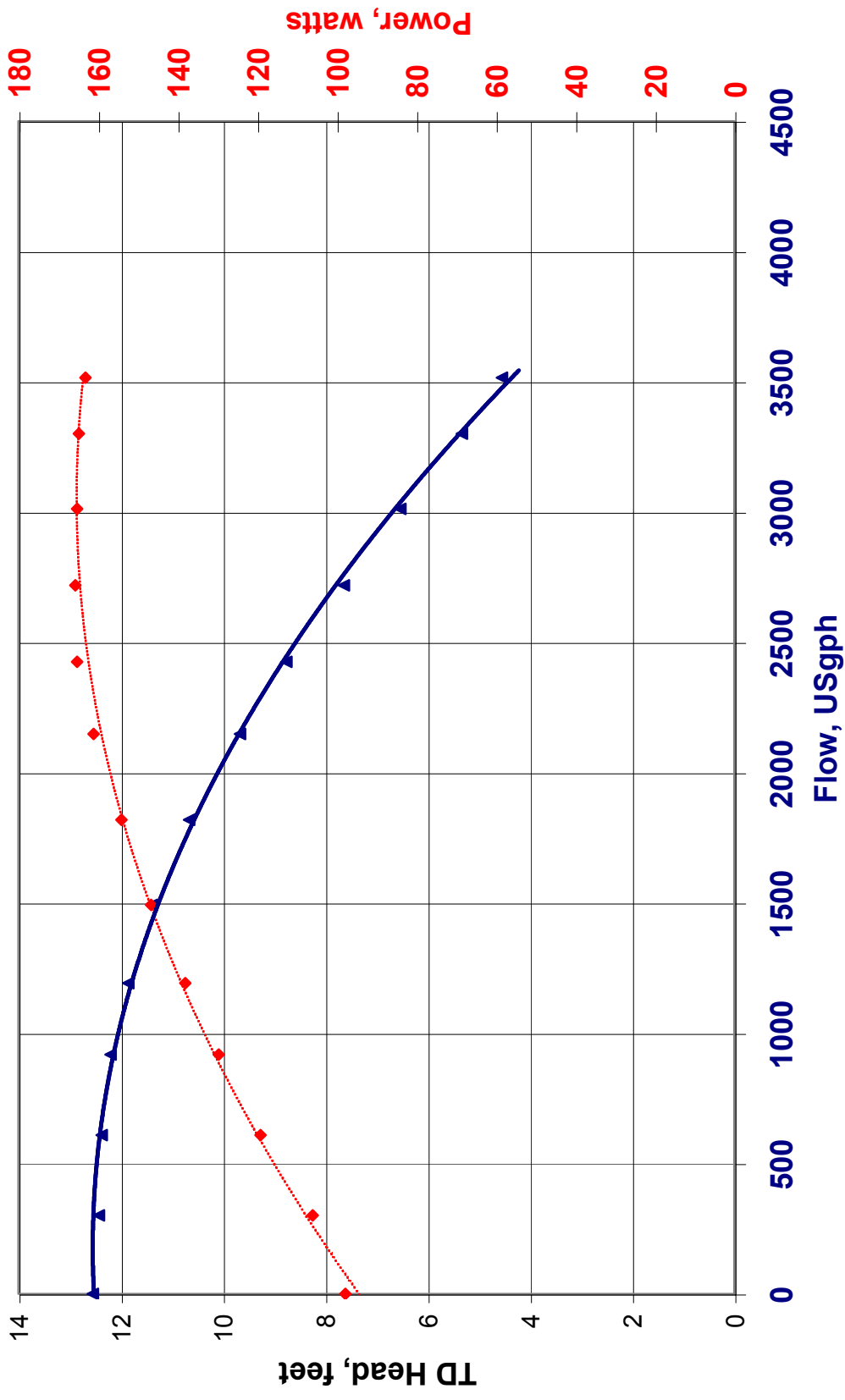
Flow At Total Dynamic Head

Model	Max Flow GPH	Max Head Feet	Max Power Watts	Max Current Amps	Flow At Total Dynamic Head					Voltage	Motor Enclosure	
					Flow	2'	4'	6'	8'			10'
4200VAF12	4200	12	166	1.5	GPM	68	60	53	44	34	115	TEFC
					GPH	4080	3600	3180	2640	2040		

Economy with Efficiency

ValuFlo 4200VAF12, #9 Impeller

ValuFlo 750, #9 Impeller



ValuFlo 1000 PUMP



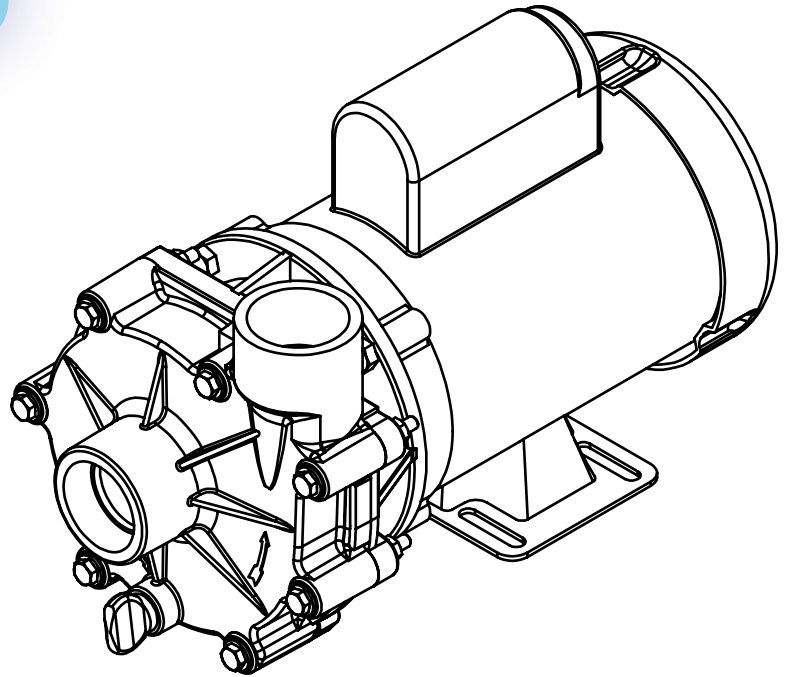
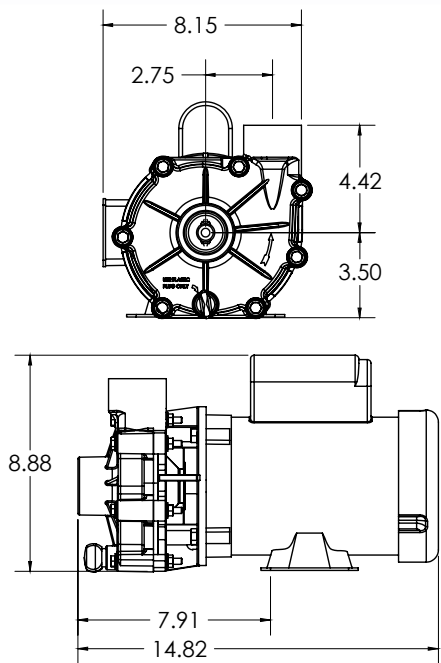
TECHNICAL SPECIFICATIONS
PERFORMANCE CURVES
PRODUCT PHOTOS

ValuFlo 1000



ValuFlo - 3300VAF21

The 1000 series has set the standard by which all others are measured. Perfect blend of medium pressure and ample flow for the majority of ponds. Motor is totally-enclosed, fan-cooled for durability. 115V or 230V. 18 month limited warranty. Supplied with an 8-foot, 115V cordset. Made in USA.

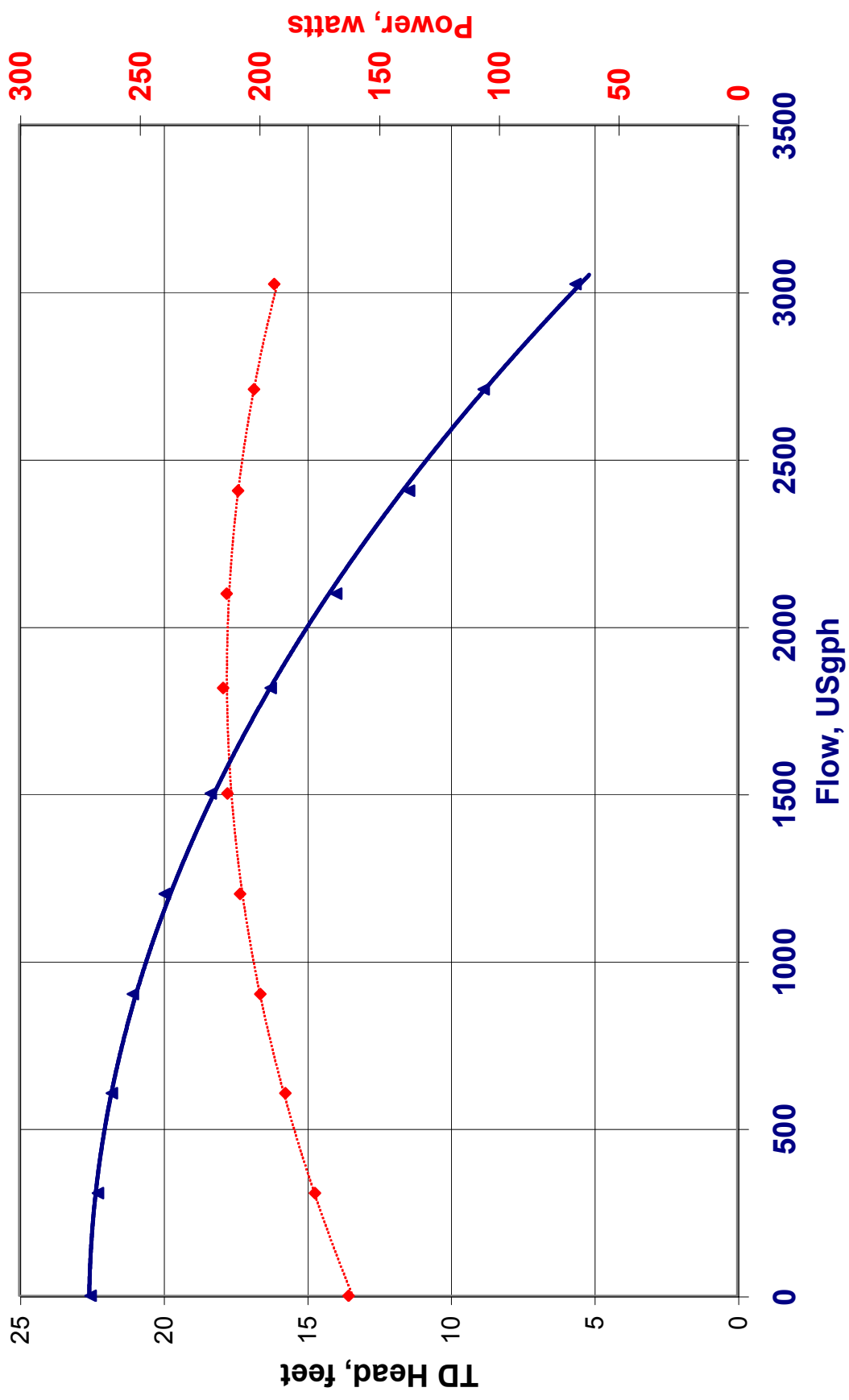


Flow At Total Dynamic Head

Model	Max Flow GPH	Max Head Feet	Max Power Watts	Max Current Amps	Flow					Voltage	Motor Enclosure	
					4'	8'	12'	16'	20'			
3300VAF21	3300	21	215	1.9	GPM	53	47	39	31	19	115	TEFC
					GPH	3180	2820	2340	1860	1140		

Economy with Efficiency

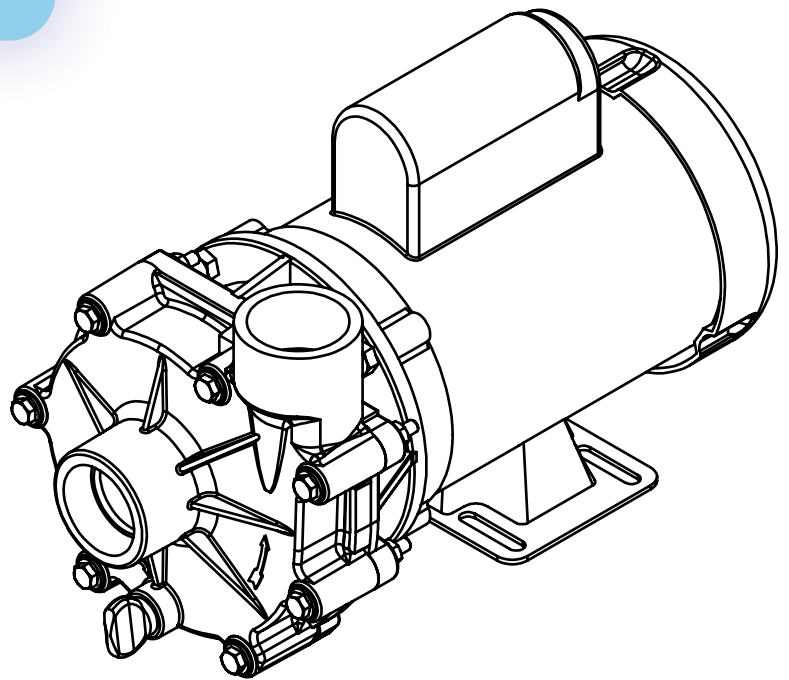
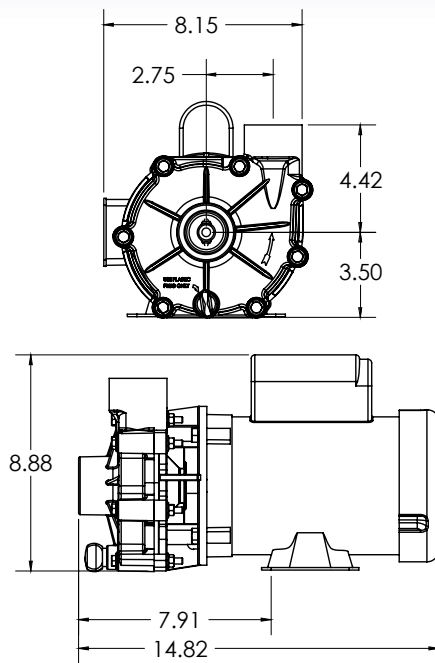
ValuFlo 3300VAF21, #4 Impeller



ValuFlo 1000

ValuFlo - 4500VAF21

The 1000 series has set the standard by which all others are measured. Perfect blend of medium pressure and ample flow for the majority of ponds. Motor is totally-enclosed, fan-cooled for durability. 115V or 230V. 18 month limited warranty. Supplied with an 8-foot, 115V cordset. Made in USA.

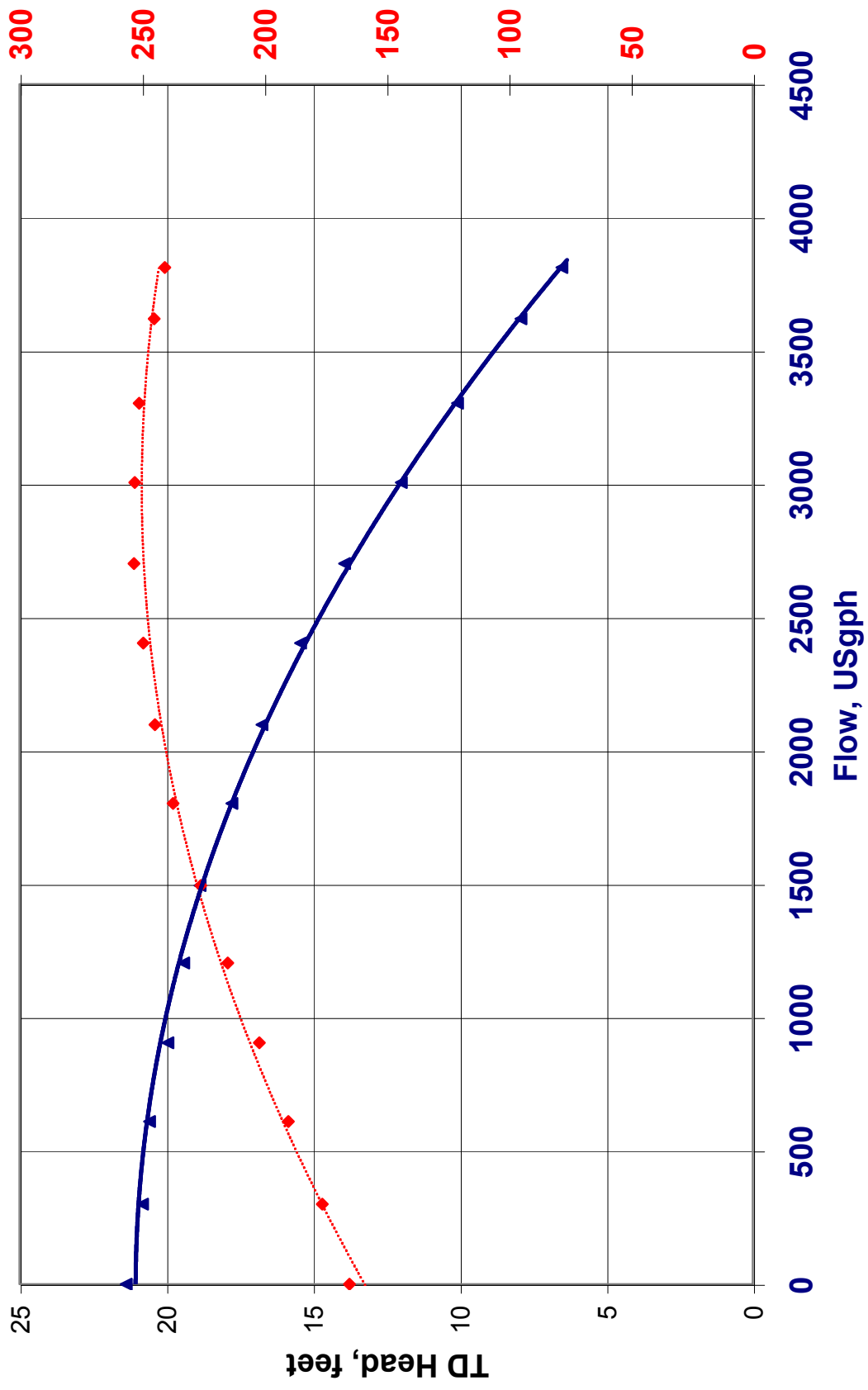


Flow At Total Dynamic Head

Model	Max Flow GPH	Max Head Feet	Max Power Watts	Max Current Amps	Flow	4'	8'	12'	16'	20'	Voltage	Motor Enclosure
4500VAF21	4500	21	253	2.2	GPM	69	60	50	37	16	115	TEFC
					GPH	4140	3600	3000	2220	960		

Economy with Efficiency

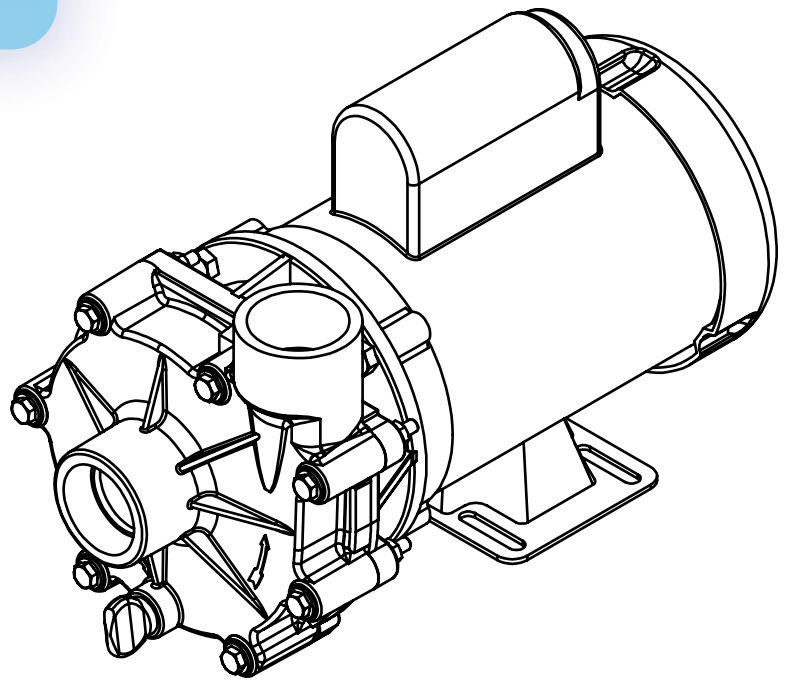
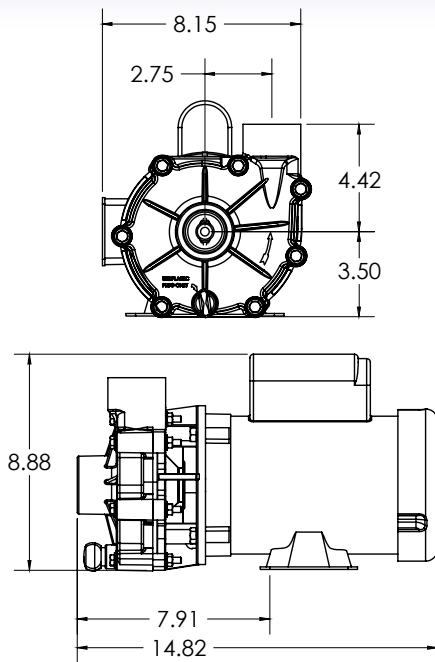
ValuFlo 4500VAF21, #5 Impeller



ValuFlo 1000

ValuFlo - 5100VAF22

The 1000 series has set the standard by which all others are measured. Perfect blend of medium pressure and ample flow for the majority of ponds. Motor is totally-enclosed, fan-cooled for durability. 115V or 230V. 18 month limited warranty. Supplied with an 8-foot, 115V cordset. Made in USA.

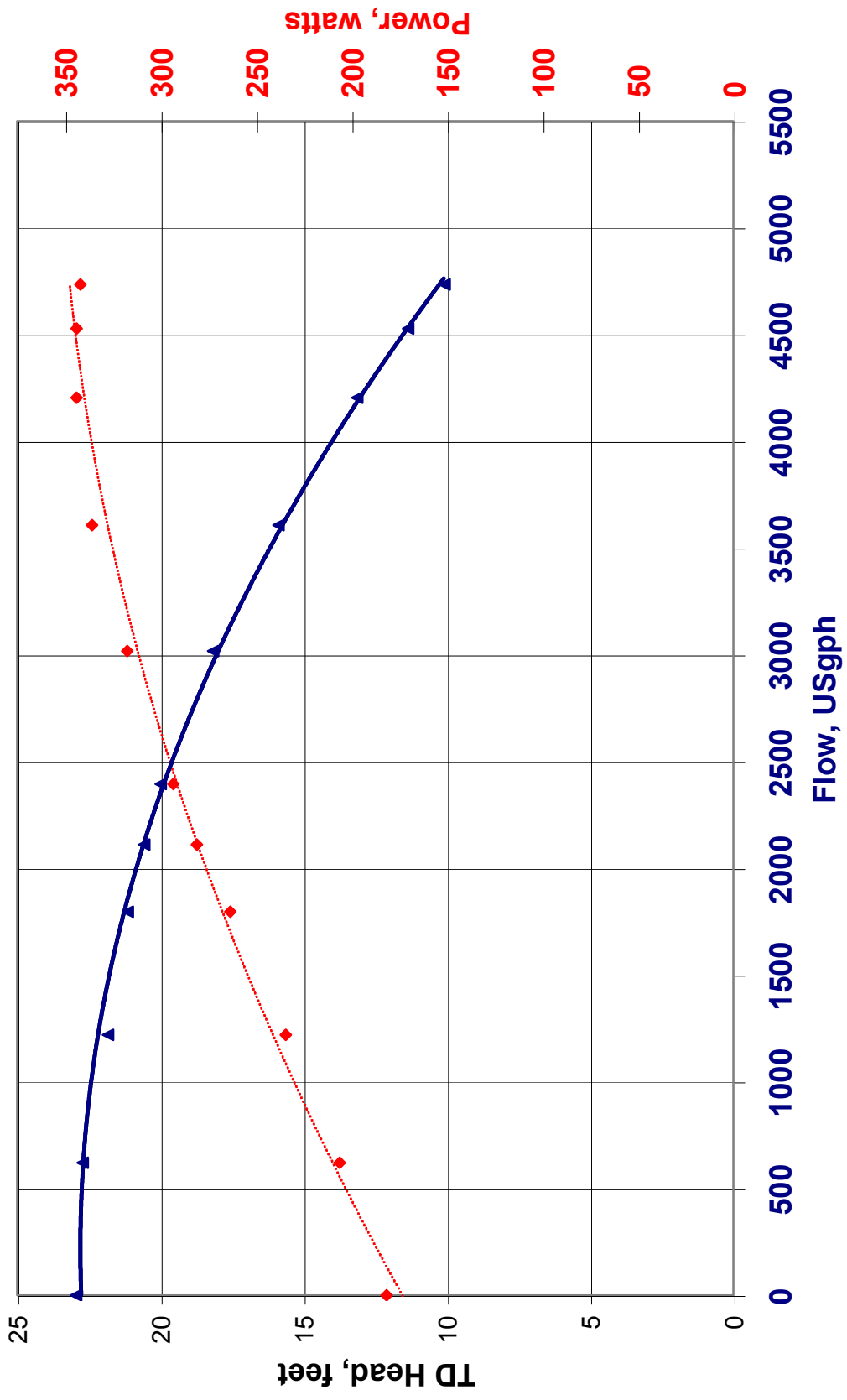


Flow At Total Dynamic Head

Model	Max Flow GPH	Max Head Feet	Max Power Watts	Max Current Amps	Flow					Voltage	Motor Enclosure	
					4'	8'	12'	16'	20'			
5100VAF22	5100	22	293	2.6	GPM	79	70	59	46	25	115	TEFC
					GPH	4740	4200	3540	2760	1500		

Economy with Efficiency

ValuFlo 5100VAF22, #6 Impeller

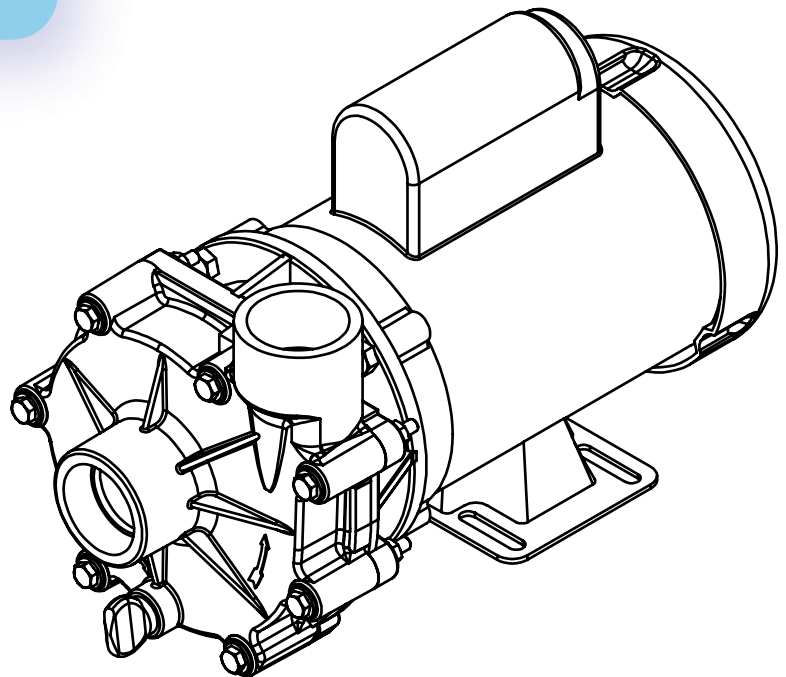
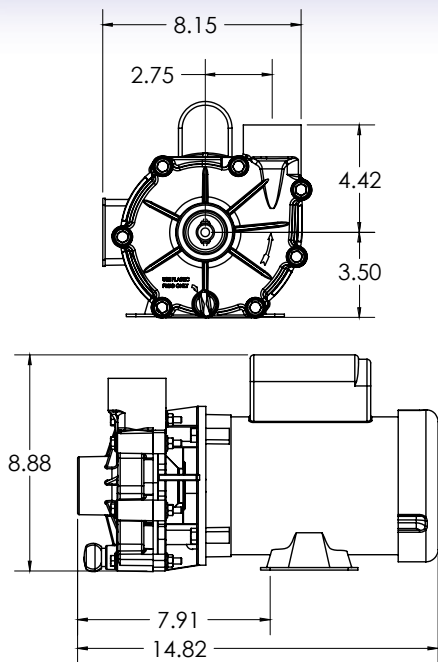


ValuFlo 1000



ValuFlo - 6100VAF23

The 1000 series has set the standard by which all others are measured. Perfect blend of medium pressure and ample flow for the majority of ponds. Motor is totally-enclosed, fan-cooled for durability. 115V or 230V. 18 month limited warranty. Supplied with an 8-foot, 115V cordset. Made in USA.

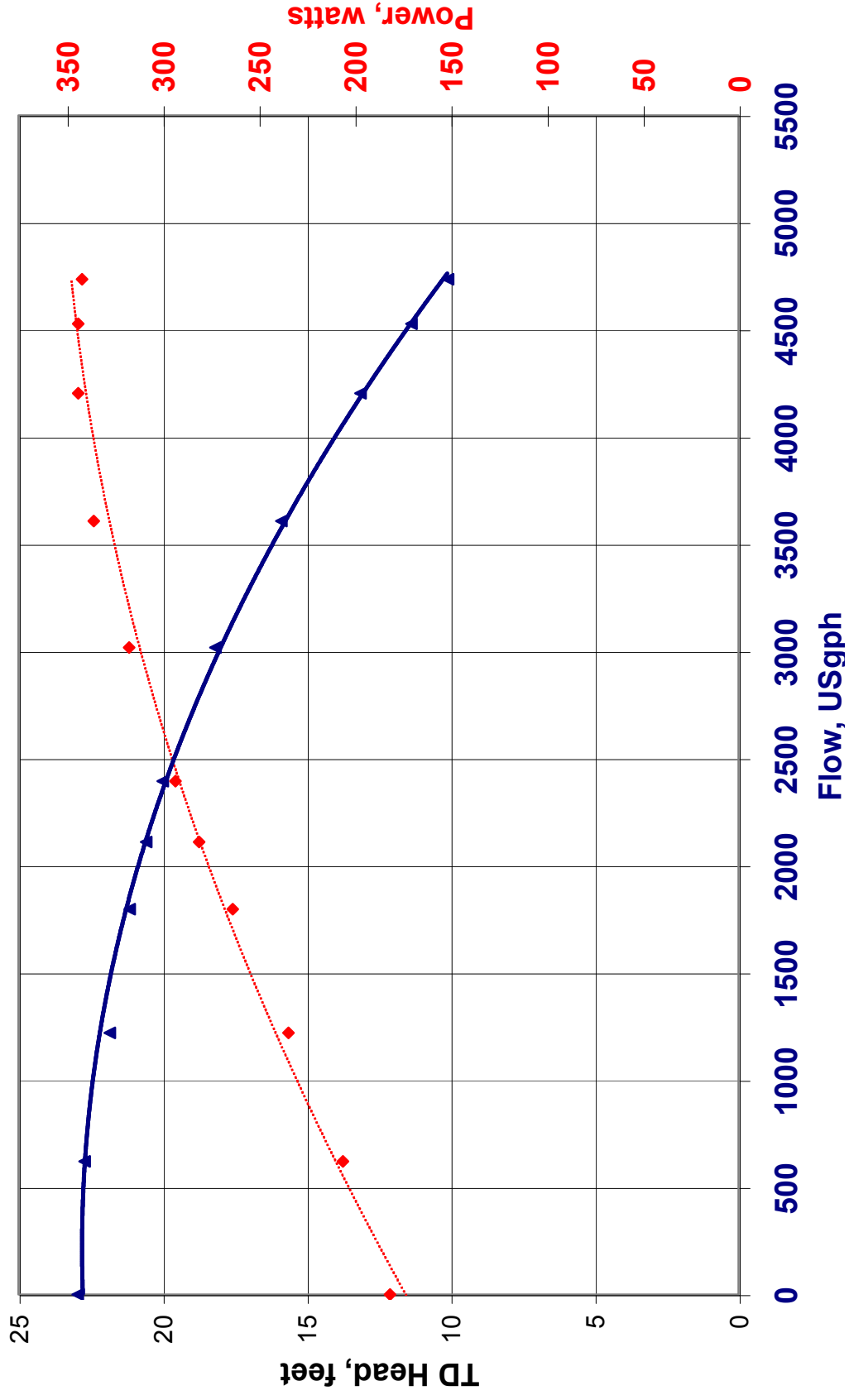


Flow At Total Dynamic Head

Model	Max Flow GPH	Max Head Feet	Max Power Watts	Max Current Amps	Flow	4'	8'	12'	16'	20'	Voltage	Motor Enclosure
6100VAF23	6100	23	344	3	GPM	95	85	74	59	39	115	TEFC
					GPH	5700	5100	4440	3540	2340		

Economy with Efficiency

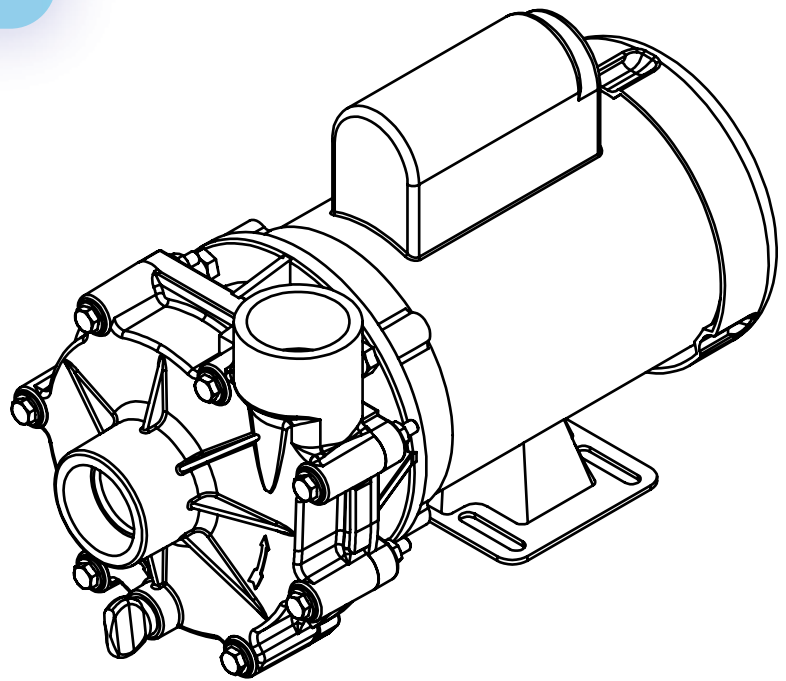
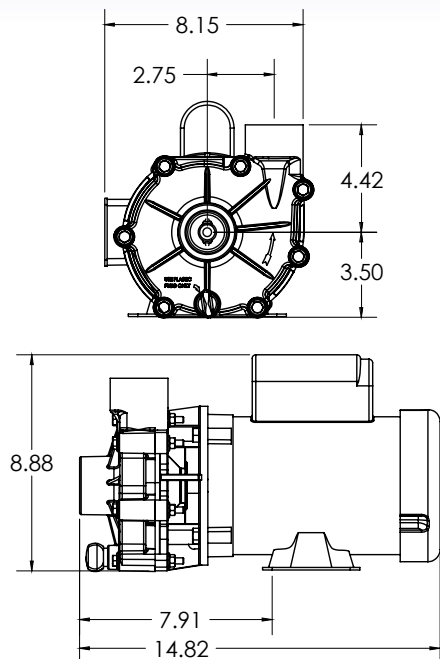
ValuFlo 6100VAF23, #7 Impeller



ValuFlo 1000

ValuFlo - 5400VAF19

The 1000 series has set the standard by which all others are measured. Perfect blend of medium pressure and ample flow for the majority of ponds. Motor is totally-enclosed, fan-cooled for durability. 115V or 230V. 18 month limited warranty. Supplied with an 8-foot, 115V cordset. Made in USA.

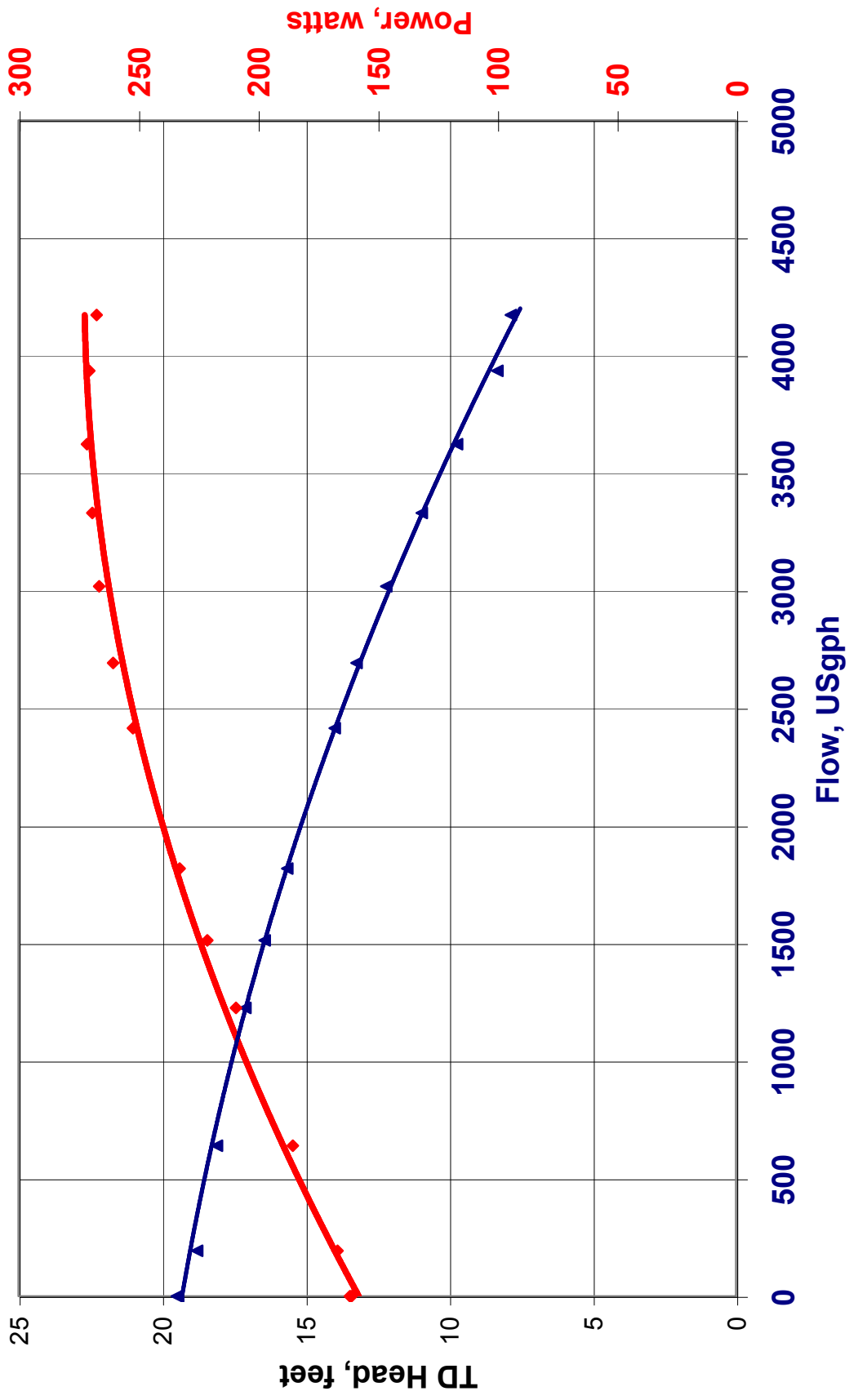


Flow At Total Dynamic Head

Model	Max Flow GPH	Max Head Feet	Max Power Watts	Max Current Amps	Flow	4'	8'	12'	16'	20'	Voltage	Motor Enclosure
5400VAF19	5400	19	271	2.4	GPM	82	68	50	27	0	115	TEFC
					GPH	4920	4080	3000	1620	0		

Economy with Efficiency

ValuFlo 5400VAF19, #6s Impeller

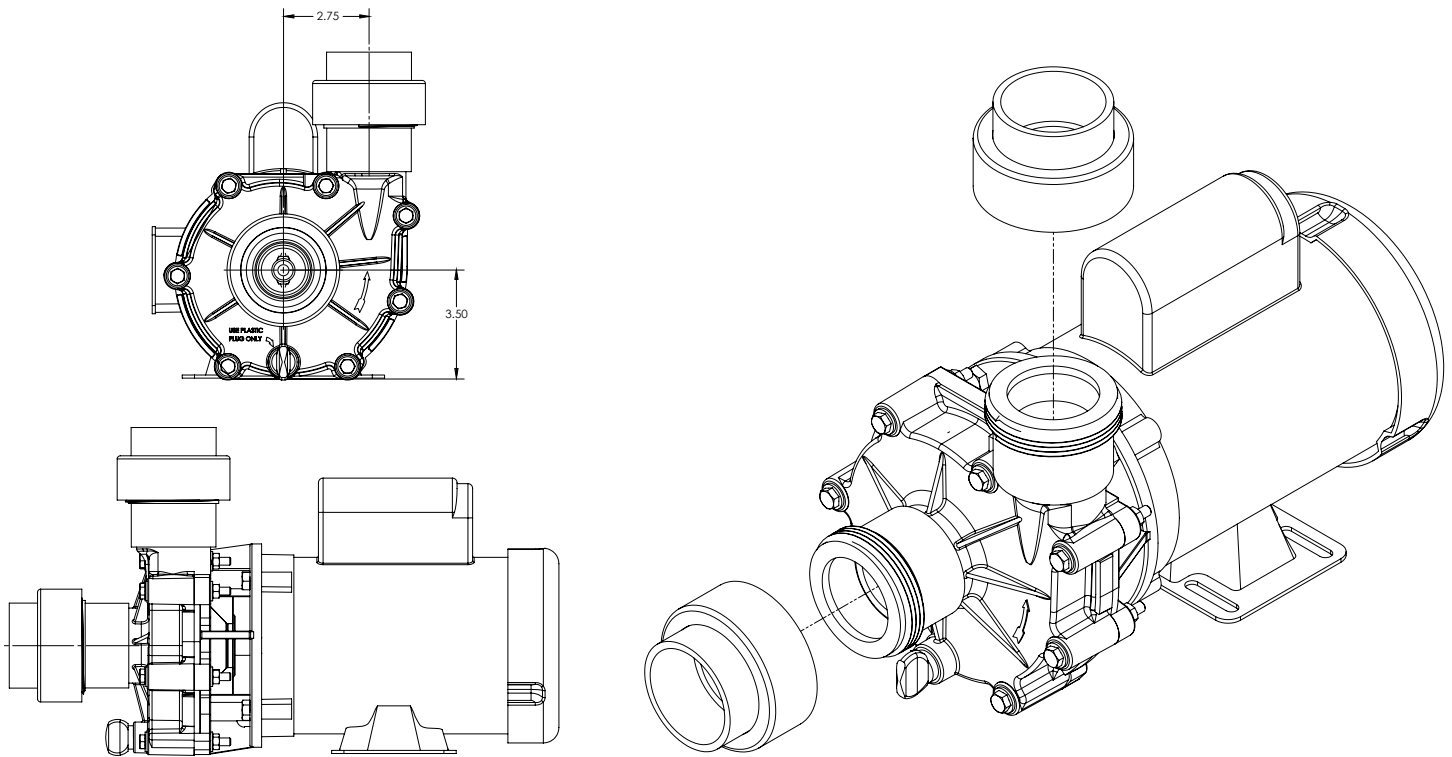


ValuFlo 1000 (Unions)



ValuFlo - Union Option

The 1000 series has set the standard by which all others are measured. Perfect blend of medium pressure and ample flow for the majority of ponds. Motor is totally-enclosed, fan-cooled for durability. 115V or 230V. 18 month limited warranty. Supplied with an 8-foot, 115V cordset. Union assembly optional. Made in USA.



Economy with Efficiency

ValuFlo
POWER (2-SPEED)



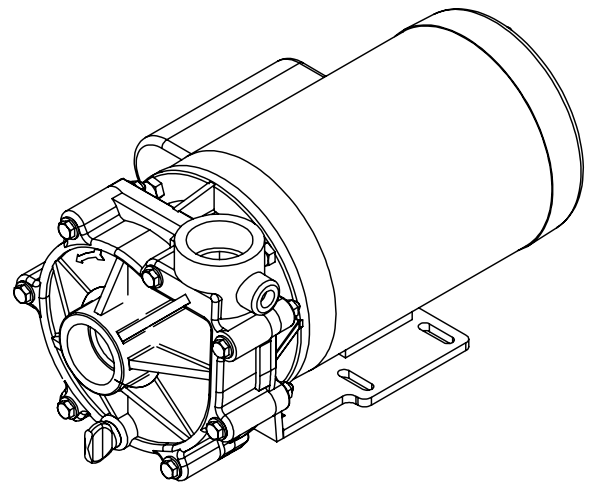
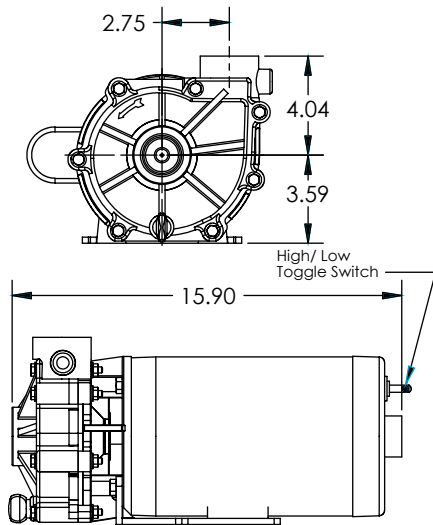
TECHNICAL SPECIFICATIONS
PERFORMANCE CURVES
PRODUCT PHOTOS

ValuFlo Power (2-Speed)



ValuFlo - 3350VAF21

For the application that demands high performance, we offer the Valuflo Power 1000 Series with abundant flow and pressure. The Power 1000 puts the horsepower and efficiency into the pressure side of the performance requirement but maintains flow rates that will meet the most challenging of scenarios. Motor is totally-enclosed, fan-cooled for durability. 115V only. 18 month limited warranty. Supplied with an 8-foot cordset. Made in USA.

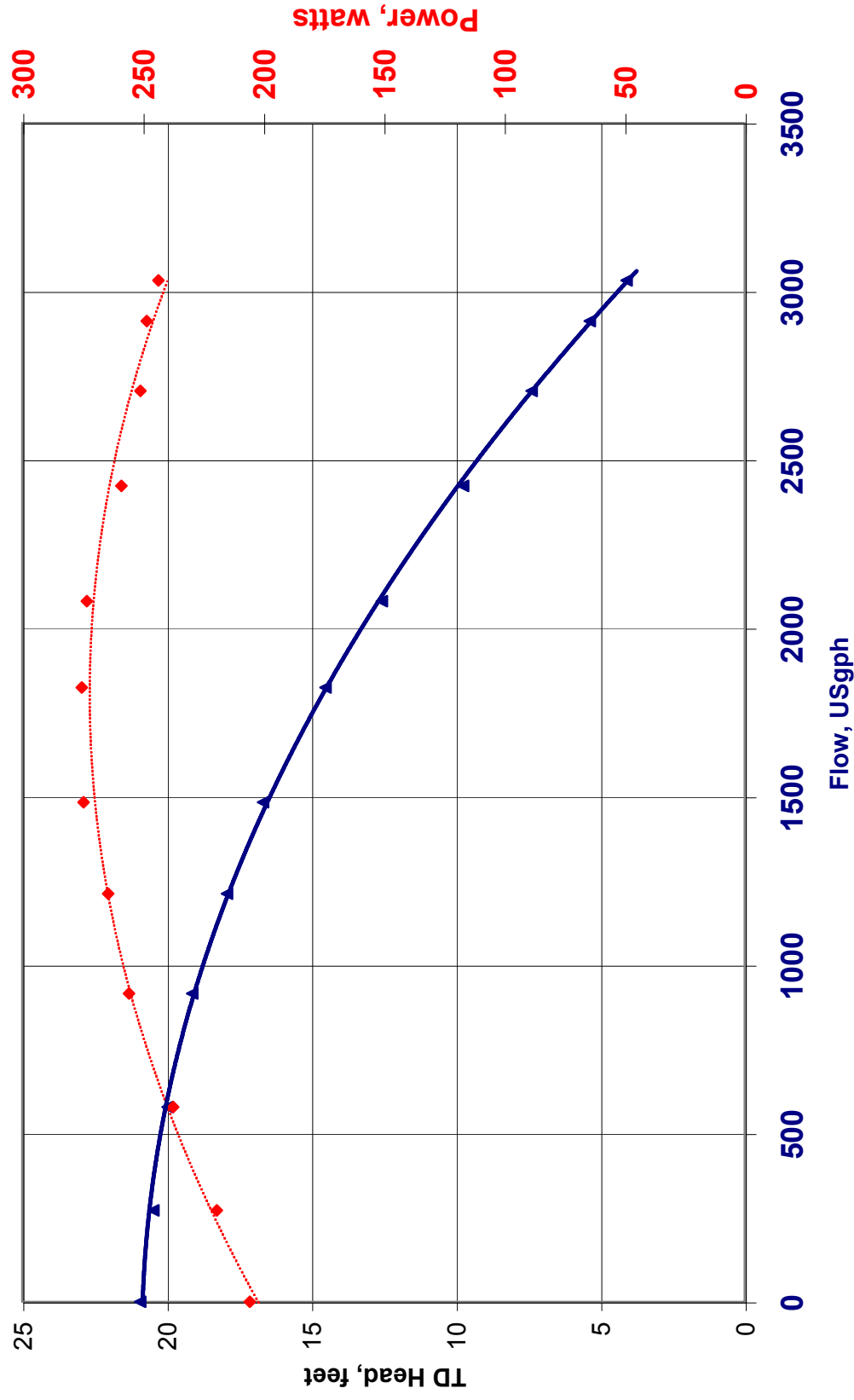


Flow At Total Dynamic Head

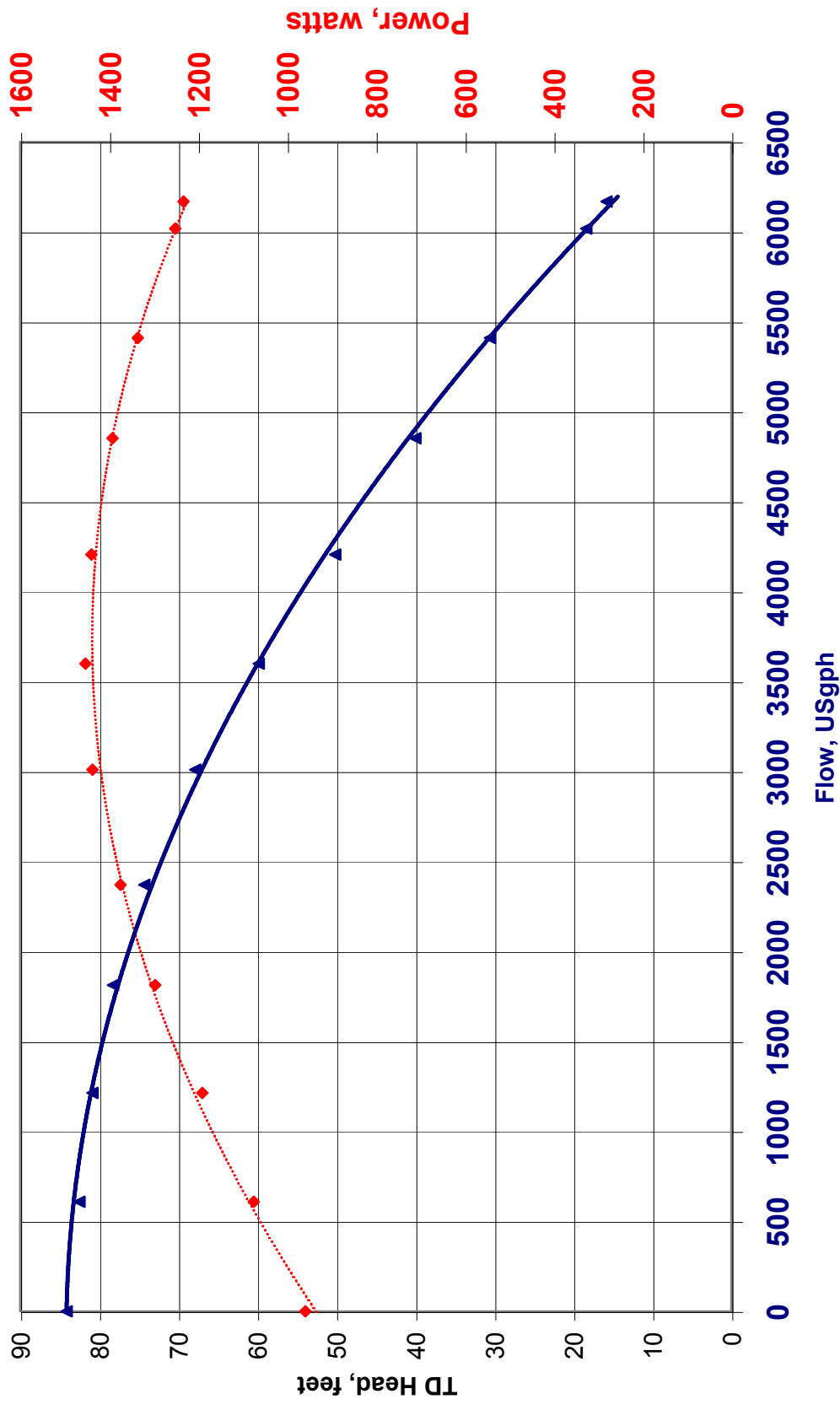
3500RPM Model	Max Flow GPH	Max Head Feet	Max Power Watts	Max Current Amps	Flow	10'	20'	30'	40'	50'	Voltage	Motor Enclosure
						GPM	GPM	GPM	GPM	GPM		
3350VAF12 HI	6750	84	1453	12.7	GPM	105	98	90	82	72	115	ODP
					GPH	6300	5880	5400	4920	4320		
1725RPM Model	Max Flow GPH	Max Head Feet	Max Power Watts	Max Current Amps	Flow	4'	8'	12'	16'	20'	Voltage	Motor Enclosure
						GPM	GPM	GPM	GPM	GPM		
3350VAF12 LO	3350	21	275	4.3	GPM	49	43	36	26	10	115	ODP
					GPH	2940	2580	2160	1560	600		

Economy with Efficiency

ValuFlo 3350VAF21, 1725 RPM, #4 Impeller



ValuFlo HI/LO 859, 3450 RPM, #4 Impeller



ValuFlo PRIMER (2-SPEED)



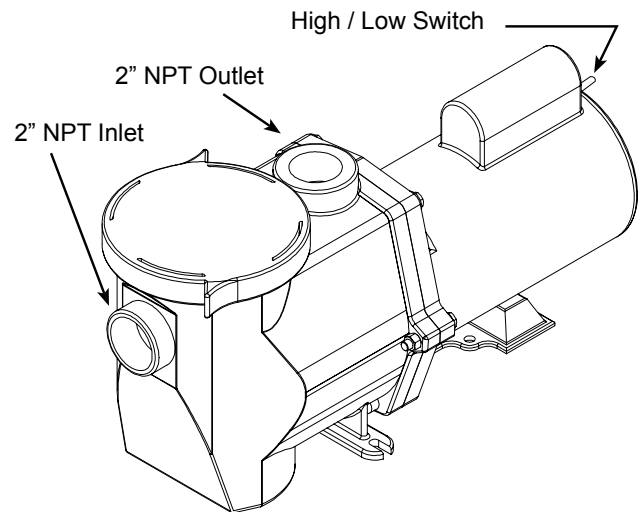
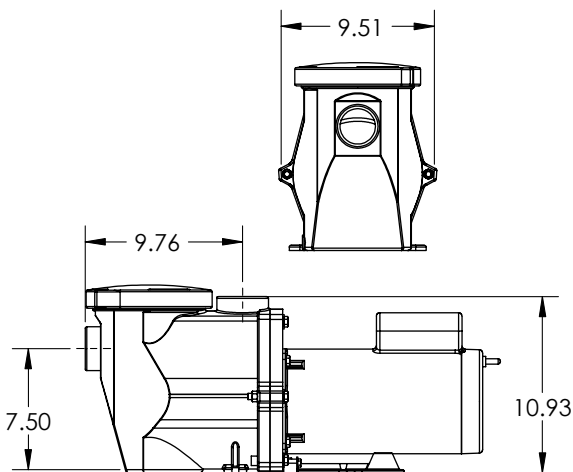
TECHNICAL SPECIFICATIONS
PERFORMANCE CURVES
PRODUCT PHOTOS

ValuFlo Primer (2-Speed)



ValuFlo - 4900VAF21

Accelerate your system with another self priming high speed power series configuration. If you have an application requiring self priming, immense flow, and high head pressure capabilities, this series is the solution for you. The Valuflo Power Primer series is made for those demanding applications where the constraint for high pressure is NOT subject to negotiation! 230V only. 18 month limited warranty. Supplied with an 8-foot cordset. Made in USA.

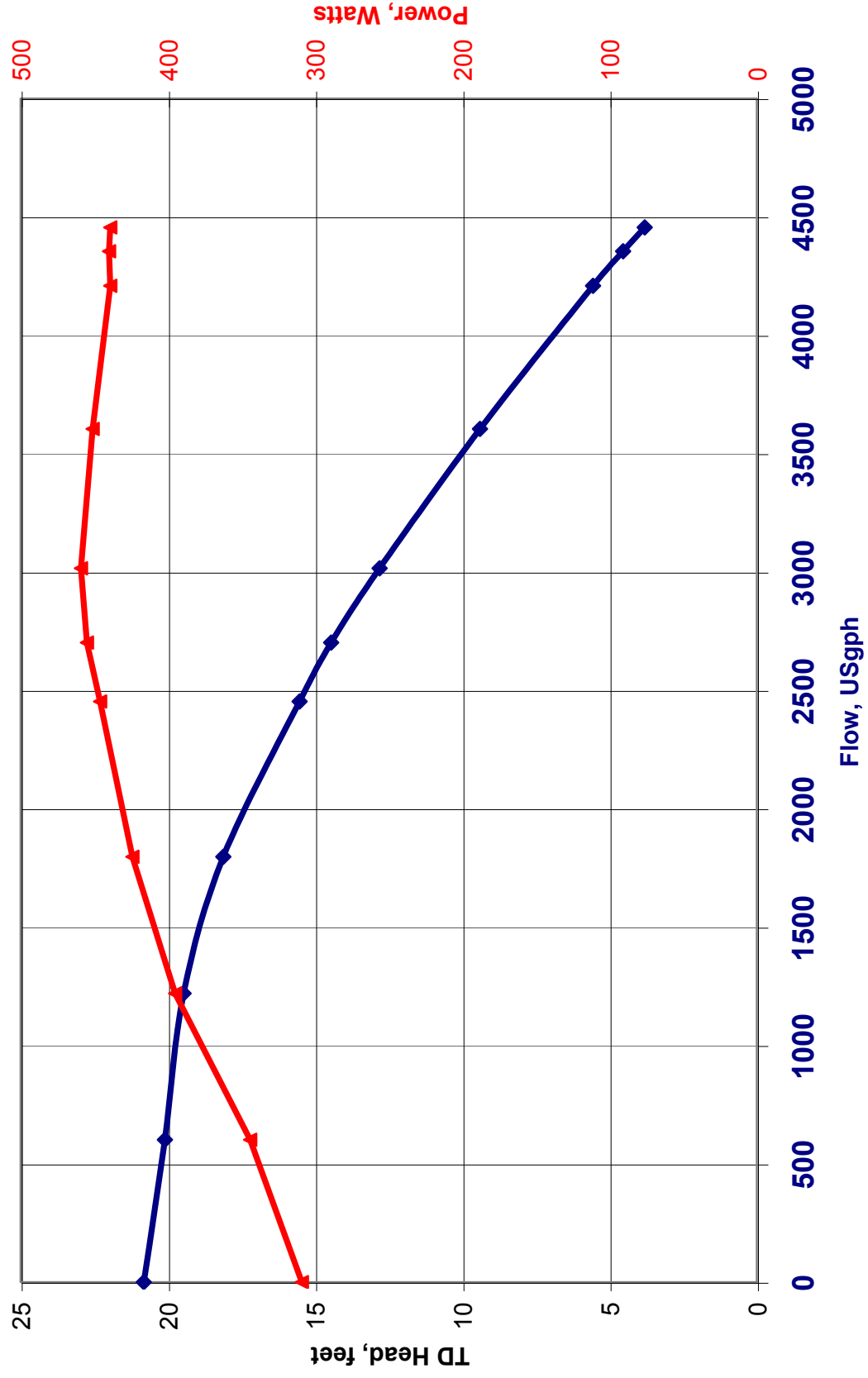


Flow At Total Dynamic Head

3500RPM Model	Max Flow GPH	Max Head Feet	Max Power Watts	Max Current Amps	Flow	10'	20'	30'	40'	50'	Voltage	Motor Enclosure
						GPM	GPM	GPM	GPM	GPM		
4900VAF21 HI	8700	83	2185	9.6	GPM	138	129	120	110	99	230	ODP
					GPH	8280	7740	7200	6600	5940		
1725PM Model	Max Flow GPH	Max Head Feet	Max Power Watts	Max Current Amps	Flow	4'	8'	12'	16'	20'	Voltage	Motor Enclosure
						GPM	GPM	GPM	GPM	GPM		
4900VAF21 LO	4900	21	459	3.6	GPM	74	64	54	39	15	230	ODP
					GPH	4440	3840	3240	2340	900		

Economy with Efficiency

ValuFlo 4900VAF21, 1725 RPM



ValuFlo Hi/Lo, 3450 RPM

