

## GARDEN POND FILTER

UPC # 02205

UPC # 80205

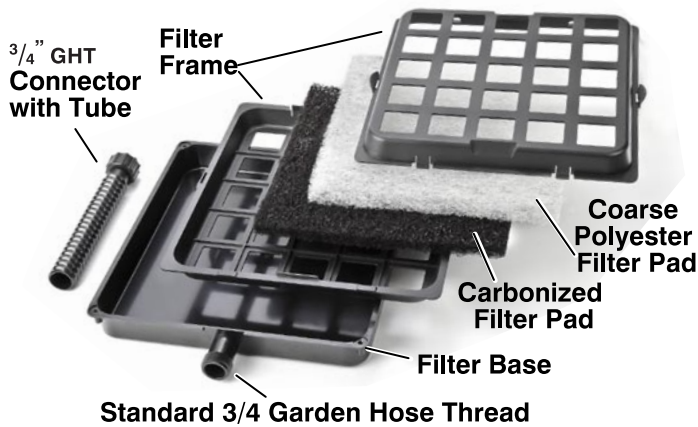
### CARE AND OPERATING INSTRUCTIONS

Thank you for purchasing the Danner Garden Pond Filter. It consists of a two-piece filter frame that snaps together to hold two filter pads. The assembled filter frame clips into the filter base for connection to a pump (not included) using a 3/4" hose. The filter pads remove debris and treat the water for a sparkling clear pond.



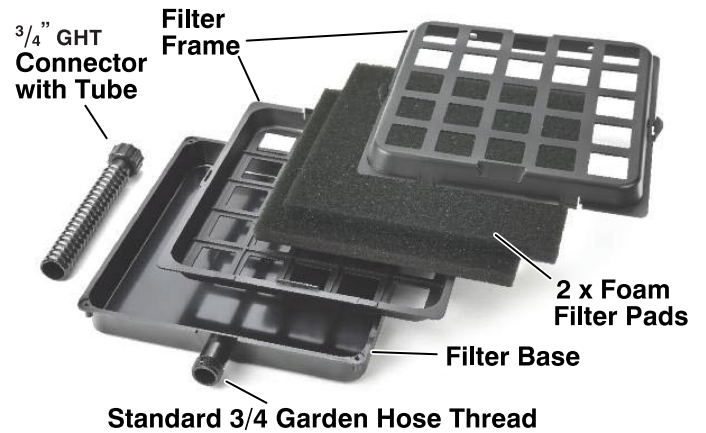
#### ITEM# 02205

Both Filter Pads can be quickly rinsed and reinstalled in the filter. The coarse material will prove more durable than the finer, carbonized material. We recommend replacing the Carbonized Filter Pad at regular intervals so that it does not mat down and impede flow. When opening the pond in the spring, run the filter with the coarse media only for the first few days so that most of the debris has been removed prior to installing the carbonized material.



#### ITEM #80205

The two foam Filter Pads can be quickly rinsed and reinstalled in the filter or they can be replaced with fresh clean pads. We recommend servicing the Filter Pads at regular intervals so that they do not mat down and impede flow. When opening the pond in the spring, run the filter and rinse the filter pads frequently until pond stabilizes.



In some ponds, as the water is filtered, dissolved gases will separate out of the pond water during the filtering process. This may make the filter float to the surface as the gases collect in the filter box. We recommend that a small few pieces of slate or flat stones be placed in the Filter Base. Care must be taken not to block the filter pad area too much. Alternately, a stone can be carefully placed on the filter that will hold down the filter without blocking too many openings.

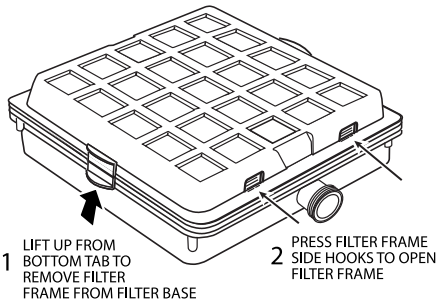
Phosphates that are present in many water supplies join with the increased biological load present in most man-made ponds to make a perfect breeding ground for algae. Decreasing the amount of bright sunlight your pond is exposed to and eliminating overfeeding of fish are two ways to help regulate algae growth. No mechanical filtering system alone will eliminate algae. Three sizes of Pond-master Ultraviolet Clarifiers are available to control algae and prevent the spread of disease. These submersible units are available in 10, 20 and 40 watt lamp sizes to accommodate various pond sizes.

## ELECTRICAL PRECAUTIONS

Always use a properly grounded outlet. Do not immerse the plug in water. **DO NOT REACH INTO THE WATER TO REMOVE THE PLUG. TURN OFF CIRCUIT FIRST.** A "drip loop" in the cords should be used. A "drip loop" is a loop in the cord below the level of the receptacle or plug that prevents water from traveling along the cord. The national Electric Code requires that a ground fault interrupter circuit (GFCI) be installed in every branch circuit supplying the fountain or pond equipment. Your dealer can supply GFCI units. **NEVER REMOVE GROUND PIN FROM PLUG.**

**WARNING: FOR YOUR PROTECTION, ALWAYS UNPLUG THE UNIT FROM ITS POWER SOURCE BEFORE INSTALLING OR SERVICING. DO NOT REACH, REMOVE OR DISASSEMBLE BEFORE YOU DISCONNECT POWER.**

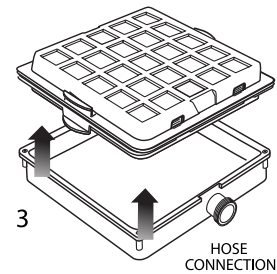
### INSTRUCTIONS FOR GARDEN POND FILTER



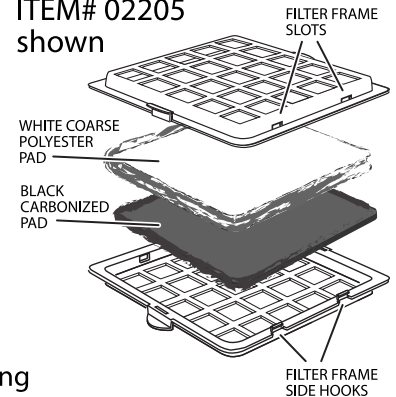
1. Separate Filter Frame from Filter Base by lifting edge of **BOTTOM** finger tab.
2. Open the Filter Frame by pressing two of the Filter Frame side hooks to release the hooks to pull the two halves apart.
3. Insert filter pads making certain that they are centered in the filter frame. Note that in the 02205 model, the coarse white polyester pad should be positioned on top of the black carbonized pad to extend the useful life of the carbonized filter. For the 80205 model stack the two foam cartridges.

4. Reattach the Filter Frame halves by aligning the hooks with the openings and pressing until they snap together. If they do not snap, check for interference from the filter pads and adjust pads as needed, pressing them in at edges.
5. Snap Filter Frame assembly into Filter Base positioning side tabs away from the Hose connection.

6. Connect the hose to your water pump. We recommend using a Submersible Pondmaster pump up to 500 GPH capacity.



ITEM# 02205 shown



### FILTER PAD MAINTENANCE

The filter pads should be replaced or rinsed once the water flow slows down. Turn off power to the pump and carefully lift the filter from the water. To avoid pond dirt backwashing into your pond, have a bucket or small tub ready to place the filter into. Disassemble according to step (1) and change or rinse the Filter Pads. To help retain the biological filtration of the active bacteria colonies, rinse the pads in pond water only. Tap water contains chlorine which will kill off the helpful bacteria colonies. The carbonized filter pad will need replacement as the chemical absorption of the coatings is expended. This should be done several times per season depending on pond size and livestock load.

**WARNING! PONDS ARE DANGEROUS TO SMALL CHILDREN!  
NEVER LEAVE CHILDREN UNSUPERVISED NEAR A POND.**

#### REPLACEMENT PARTS AND FILTER PADS - Note: Filter pads are interchangeable between models

Item #	Description	Purpose
12207	Carbon and Coarse Filter Pad set	Replaces the filter as shipped with original 02205 filter
12208	Two Pack Coarse Filter	Two Coarse Pads (White)
12209	Twin Pack Foam Filter	Fine foam filter pads as shipped with original 80205 filter
12210	Twin Pack Blue Polyester	Blue Polyester for finer particulate filtration
12211	Complete Cartridge	Carbon & Coarse filter with Filter Frame
12185	3/4 GHT x 3/4" Barb Fitting	Replacement Barbed Tubing Connector as shipped with original Garden Pond filter (no tubing section)

**LIMITED WARRANTY** E.G. Danner Mfg. Inc. will repair or replace any Danner Garden Pond filter found to be defective within one year of original purchase. This warranty does not cover any replaceable filtering material supplied with the filter as it is considered expendable. For warranty repair return only the part that is defective to our factory. Please include a dated proof of purchase and \$5.00 for postage and handling. Damages or injuries resulting from negligence or misuse of the product are not covered by warranty. This warranty gives you specific legal rights. You may have other rights which vary from state to state.