



GIANO MERCHANDISING

Finishing Hardware Specialist

FURNITURE LOCKS

 **ALPHA**
JAPAN'S NO. 1 LOCK

TARGET[®]
LOCK

Cyber Lock[®]

www.gianomerchandising.com



SLIDING LOCK

833

Keyless Operation

and public functions

Code setting without tools

Code finding from the front by recovery key

Plastic housing

200 different key changes for service cylinders

Sets includes: 1 pc Lock, 1 pc recovery key

LOCKER LOCK

828 VR

Keyless Operation

2-in-1 System

Code setting without tools

Code finding from the front by recovery key

Plastic housing

200 different key changes for service cylinders

Used for metal swing cabinet doors 0.6mm - 0.9mm thick

Sets includes: 1 pc Lock, 1 pc recovery key





LOCKER LOCK

822-R

Keyless Operation

Code setting without tools

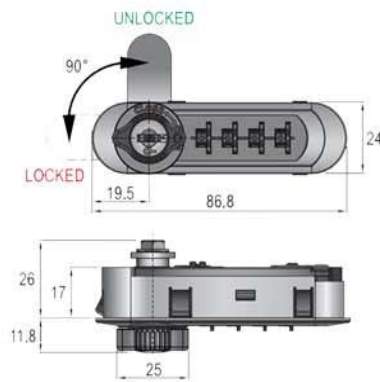
Code finding from the front by recovery key

Plastic housing

200 different key changes for service cylinders

Used for metal swing cabinet doors 0.6mm-0.9mm thick

Sets includes: 1 pc Lock, 1 pc recovery key



LOCKER LOCK

835 VR

Keyless Operation

2-in-1 System, one smart lock that features personal and public functions

Code setting without tools

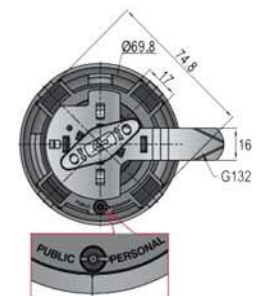
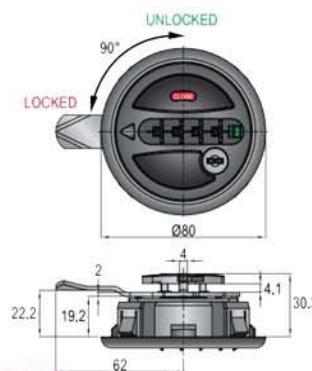
Code finding from the front by recovery key

Plastic housing

200 different key changes for service cylinders

Used for metal swing cabinet doors 0.6mm - 0.9mm thick

Sets includes: 1 pc Lock, 1 pc recovery key



FUNCTION SWAP BUTTON (180° ROTATION)

DRAWER LOCK

627-2 TURN

Long Latch Lock (Two Turn)

NOT 360 degrees

Suitable for drawer cabinet, 1 drawer and 2 drawers

Click action mechanism

Key removable in locked and unlocked positions

Zinc Alloy die cast housing

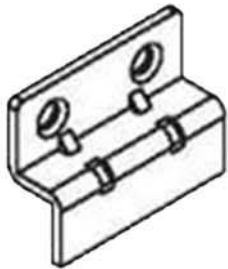
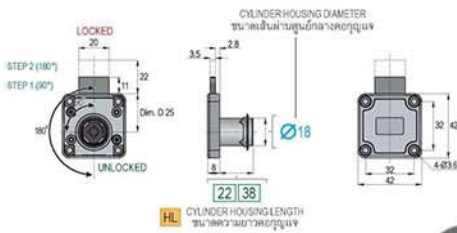
Fixing Hole Size: 19mm

Cylinder Housing Diameter: 18mm

Cylinder Housing Length: 22mm

Included 1 L-Plate, and 2 metal Keys

Chrome Plating finish



DRAWER LOCK

701S (16.5MM IN DIAMETER)

Click Action Mechanism

Key removable in locked and unlocked positions

Zinc Alloy die cast housing

bringing the lock flush to the face

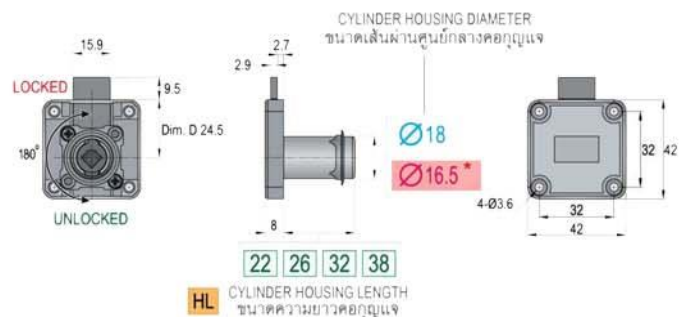
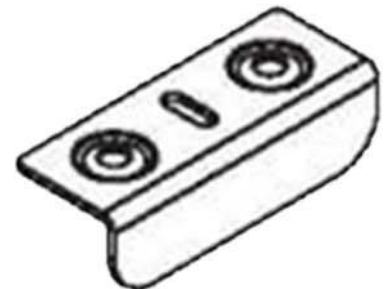
Fixing Hole Size: 17.5mm

Cylinder Housing Diameter: 16.5mm

Cylinder Housing Length: 22mm

Included 1 L-Plate, and 2 metal Keys

Chrome Finish





DRAWER LOCK

601S WITH MASTER KEY

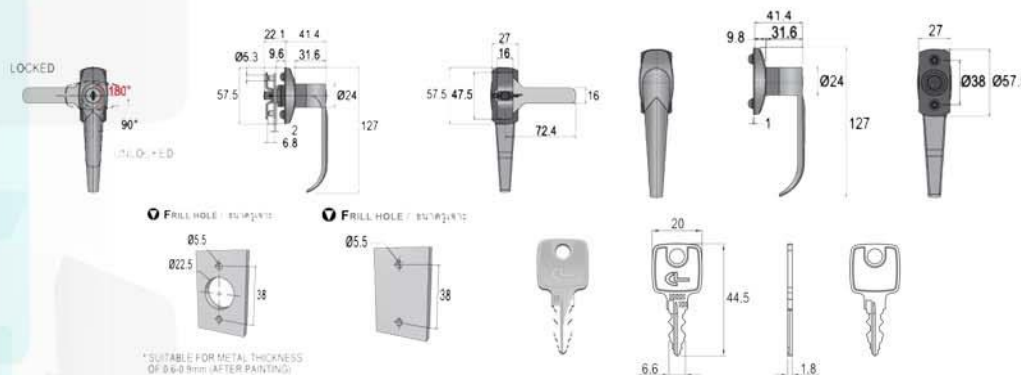
Fixing Hole Size: 19mm
 Cylinder Housing Diameter: 18mm
 Cylinder Housing Length: 22mm
 Included 1 L-Plate, and 2 metal Keys
 Chrome finish

Available:
 With Master Key
 Without Master key
 Master Key Only

STORAGE HANDLE

C161 / C162

Click Action Mechanism
 Key Removable in Locked and
 Unlocked positions
 Master Key System
 Zinc Alloy die cast
 To be used with C161
 Zinc Alloy die cast
 Sets includes: 1pc C161 with lock & 1pc C162 Handle only





GIANO MERCHANDISING
Finishing Hardware Specialist

Cyber Lock®

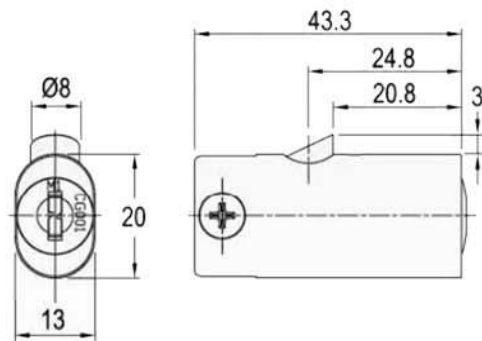
FILING CABINET LOCK

518

Non-removable core system

Zinc Alloy die cast

Unlock by turning 45 degrees to the left or right



Certificate No. TH03/3039



Certificate No. TH03/3040



Certificate IATF 0187210
Certificate SGS TH14/7870

CENTRAL LOCK FOR METAL

201Q

Central Lock for Metal drawers

Non-removable core system

Quick-fix lock for easy installation

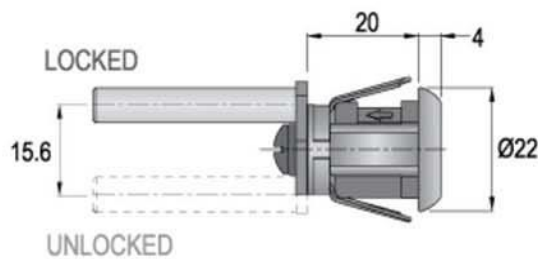
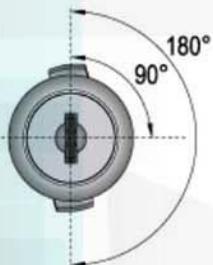
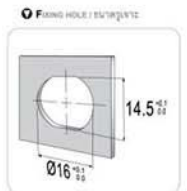
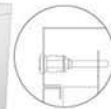
90 degrees or 180 degrees rotary cam movement

Key removable in locked and unlocked positions

Zinc Alloy die cast

For metal thickness: 0.6 - 0.9mm

Included 2 Metal Keys Chrome finish





GIANO MERCHANDISING
Finishing Hardware Specialist

Cyber Lock®

STORAGE HANDLE WITHOUT LOCK

B19

Zinc Alloy die cast

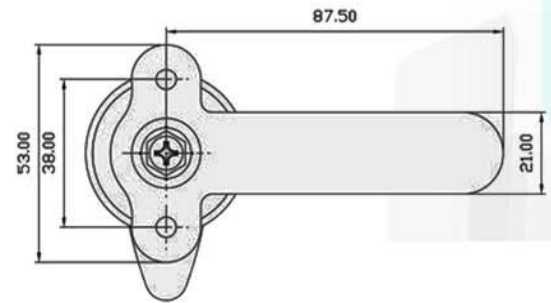
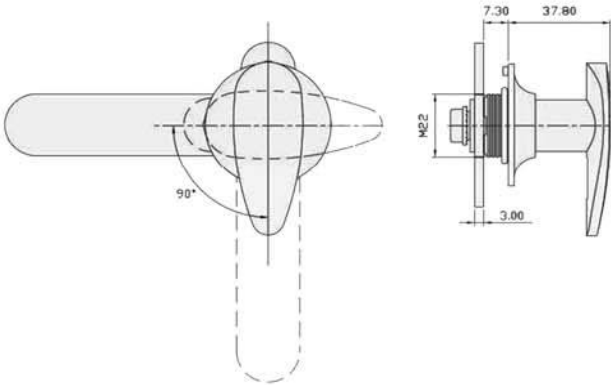
Cam Type G104

Non-Locking

Chrome Finish

Can be used for wood or metal doors

Includes: 1 pc Storage Handle Only



STORAGE HANDLE

A19 WITH KEY

Handle lock

Zinc Alloy die cast

Cam Type G104

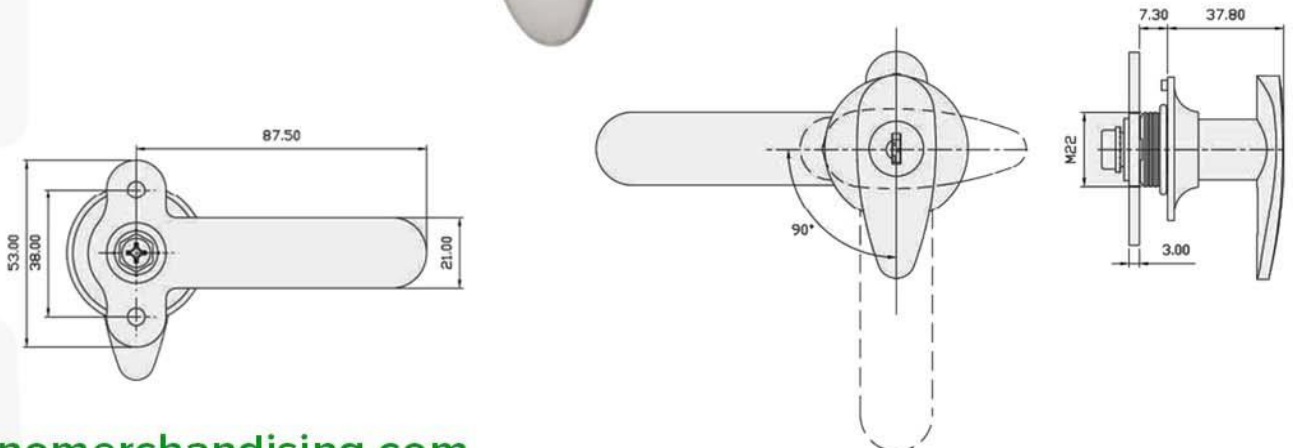
Non-Master Key System

Non-removable core system

Chrome Finish

For metal doors

Includes: 1 pc Storage Handle with key





GIANO MERCHANDISING
Finishing Hardware Specialist

Cyber Lock®

PANEL LOCK

A240-3

Push latch without key

Zinc Alloy die cast

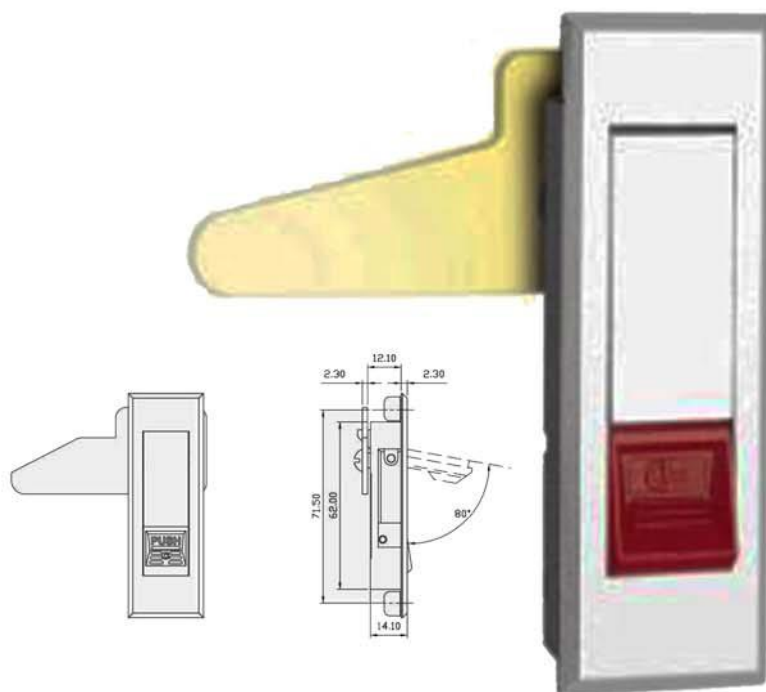
Cam Type G105

Non-Locking

Chrome Finish

Used for cabinet doors, cash registers, coin deposit, electronic enclosures, meter box and so on

Includes: 1 pc Cabinet Lock, mounting screws are included



PANEL LOCK

A240-3-1

Push latch with key

Zinc Alloy die cast

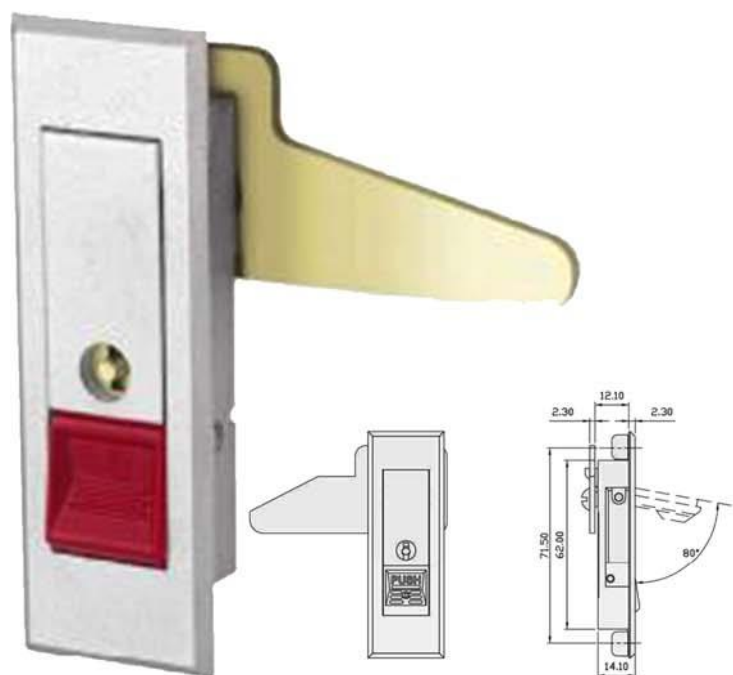
Cam Type G105

Non-Master Key System Non-removable core system

Chrome Finish

Used for cabinet doors, cash registers, coin deposit, electronic enclosures

Includes: 1 pc Cabinet Lock, mounting screws are included





GIANO MERCHANDISING
Finishing Hardware Specialist

Cyber Lock®

FILING CABINET LOCK

513

180 degrees rotary pin movement

Key removable in locked and unlocked positions

Choose from master key and non-master key systems

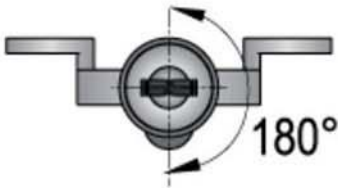
Zinc Alloy die cast

Included 2 pcs Plastic Key Head

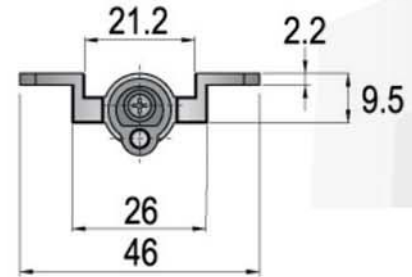
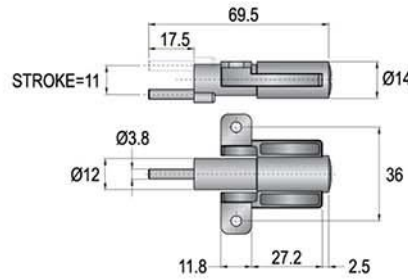
Chrome plated finish



LOCKED



UNLOCKED



PANEL BOX HINGES

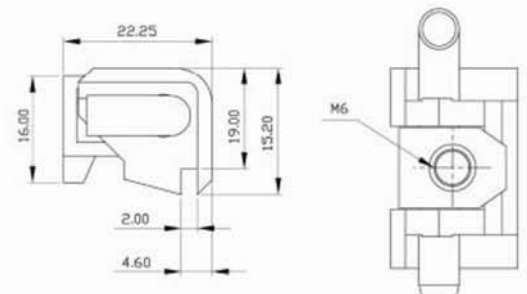
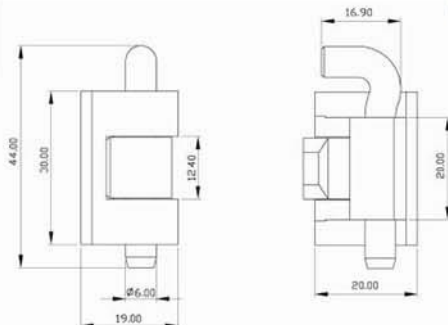
171 NP

Control Box Hinge for Metal Door

Thickness of 2mm

Zinc Alloy Die Cast

Chrome Plated Finish





GIANO MERCHANDISING
Finishing Hardware Specialist

Cyber Lock®

KEYBOX LOCK

KB200

Key box with 4 digit combination lock

Key Hooks: 20

Material: High-Grade steel

Keyless Operation

Up-to 9,999 Combination

Code setting from the front

by recovery key

200 Different key changes for

service cylinders

With Free key tags

Dimensions: 200x160x75.5mm

Weight: 0.9 Kg



COMBINATION PADLOCK

PL802 (3 Digit)

3 Digit Combination Padlock

For Bags, luggage and etc...

Up-to 999 Combinations

Keyless Operation

Plastic Housing Material

Available on Blue Marble pattern color



ALPHA CAMLOCK C3850

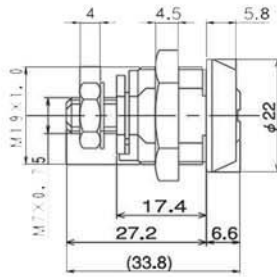
Cam Length: 17.5mm

Diameter: 22mm

Includes 2 pcs dimple keys

2,000 key combinations

Widely used in casinos and bank cash boxes



DRAWER SLAM LOCK 629

629

Automatically locks drawer when closed

Click action mechanism

Key removable in locked and unlocked positions

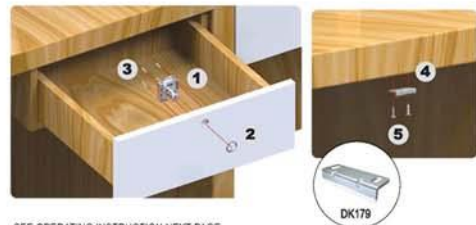
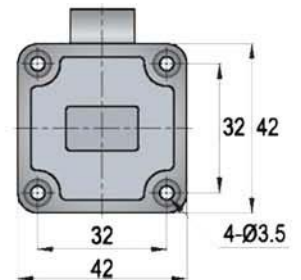
Zinc Alloy die cast housing

Fixing Hole Size: 19mm

Cylinder Housing Diameter: 18mm

Cylinder Housing Length: 22mm

Included 1 L-Plate, and 2 metal Keys Finish: Chrome

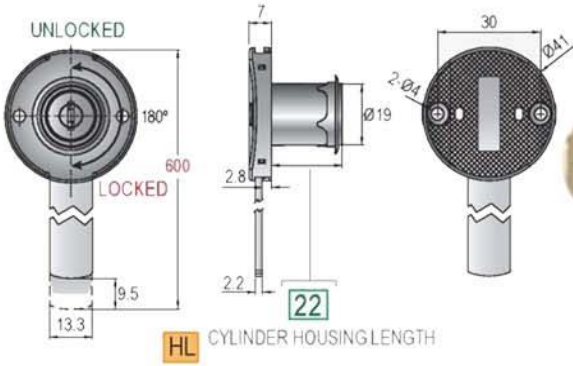


SEE OPERATING INSTRUCTION NEXT PAGE
 ดูวิธีการใช้งานหน้าถัดไป

SIDE CENTRAL LOCK WITH BAR

9002

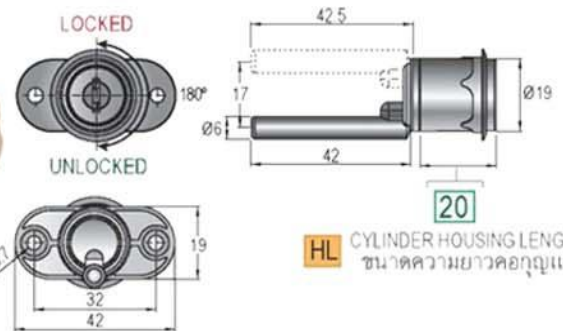
For use with 600mm Aluminum bar
 Zinc Alloy diecast cylinder core and cylinder housing
 1 pc lock can lock up to 3 drawers
 SPCC steel housing base
 Cylinder Housing Length: 22mm
 Package includes: 1pc Drawer Lock, 2 pcs metal Keys, 1 pc 600mm Bar and other accessories



FRONT CENTRAL LOCK WITH BAR

9003

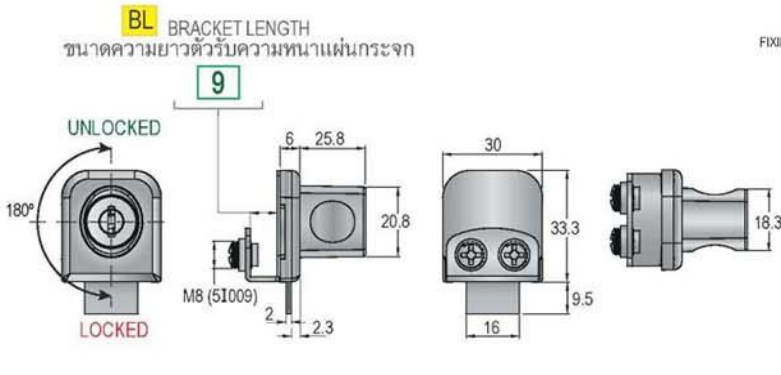
Key removable in locked and unlocked positions
 For use with 600mm Aluminum bar
 Zinc Alloy diecast cylinder core and cylinder housing
 1 pc lock can lock up to 3 drawers
 Cylinder Housing Length: 20mm
 Package includes: 1pc Drawer Lock, 2 pcs metal Keys, 1 pc 600mm Bar and other accessories



NO DRILL GLASS LOCK

9114

Key removable in locked and unlocked positions
ABS Plastic external housing
Zinc Alloy die cast cylinder core and internal housing
Easy installation, No glass drilling required
Fits for glass door thickness 4mm-7mm
Package includes: 1pc Glass Cabinet Lock, 2 pcs metal Keys, and Mounting parts



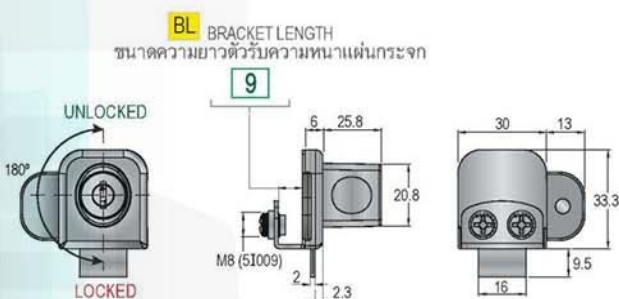
FIXING DETAILS / การติดตั้ง



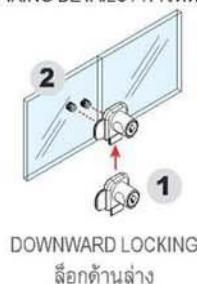
DOUBLE DOOR GLASS LOCK

9115

Double glass door cabinet lock (Downward Locking Version)
Click action mechanism
Key removable in locked and unlocked positions
ABS Plastic external housing
Zinc Alloy die cast cylinder core and internal housing
Easy installation, No glass drilling required
Fits for glass door thickness 4mm-7mm
Package includes: 1 pc Glass Cabinet Lock, 2 pcs metal Keys, and Mounting parts



FIXING DETAILS / การติดตั้ง



 NO-DRILL	
BL	FOR GLASS THICKNESS สำหรับความหนากระจก
9	4-7mm



LEVER LOCK

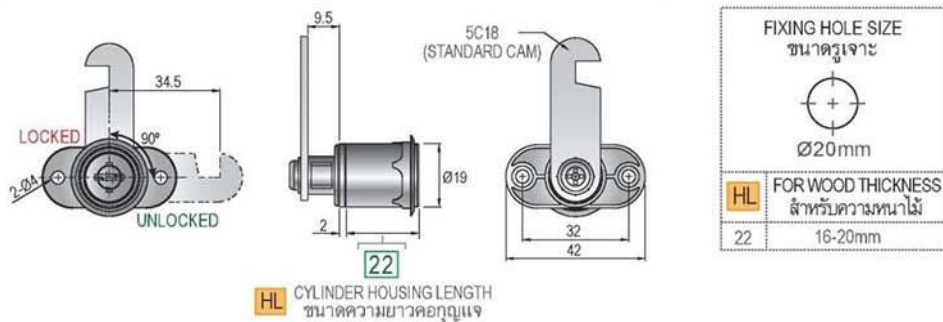
9006

Key removable in locked and unlocked positions
 Zinc Alloy die cast cylinder core and internal housing
 Ideal for cabinets, desks, pinball games, baggage compartments, etc

Cylinder Housing Length: 22mm

Cylinder Housing Diameter: 19mm

Package includes: 1pc Drawer Lock,
 2 pcs plastic keys, and mounting screws



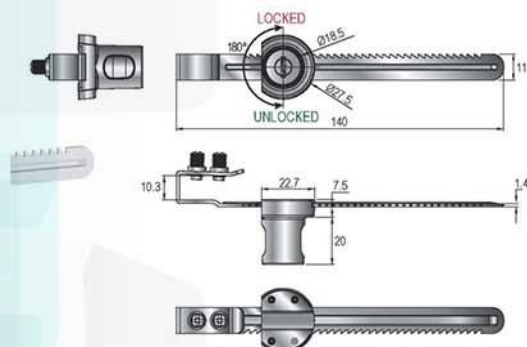
SLIDING GLASS LOCK WITH 5" RACHET BAR

9013

Perfect for single glass door display cases,
 Trophy cases, and Retail Cases

Cylinder Housing Length: 20mm

Package includes: 1pc Glass Cabinet Lock,
 2 pcs metal Keys,
 and 1 pc 5" ratchet bar





GIANO MERCHANDISING
Finishing Hardware Specialist

TARGET[®] LOCK

DRAWER LOCK

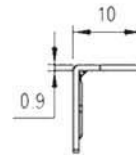
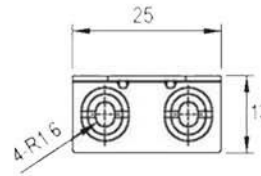
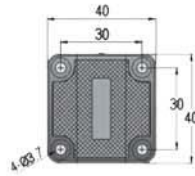
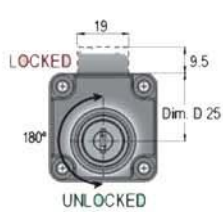
9001 (22MM)

Suitable for cabinet, wardrobe, Cupboard, Office Desk, Dressing Table and Other Furniture which Need lock

Drilling Hole Diameter: 19mm

Cylinder Length: 22mm

Package includes: 1pc Drawer Lock, 2 pcs metal Keys



22 26 32 38

HL CYLINDER HOUSING LENGTH
ขนาดความยาวคอกกุญแจ

DRAWER LOCK

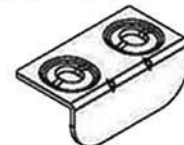
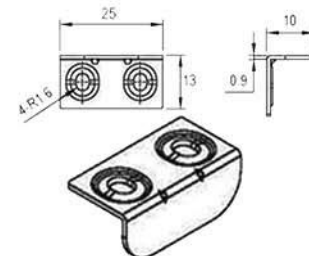
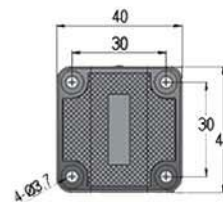
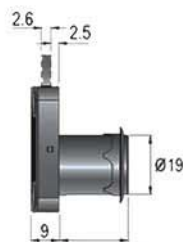
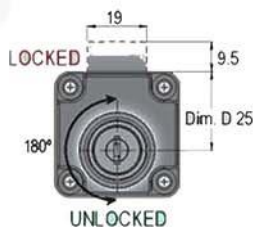
9001 (32MM)

Suitable for Cabinet, Wardrobe, Cupboard, Office Desk, Dressing Table and Other Furniture which Need Lock

Drilling Hole Diameter: 19mm

Cylinder Length: 32mm

Package includes: 1pc Drawer Lock, 2 pcs metal Keys



22 26 32 38

CYLINDER HOUSING LENGTH



PUSH LOCK

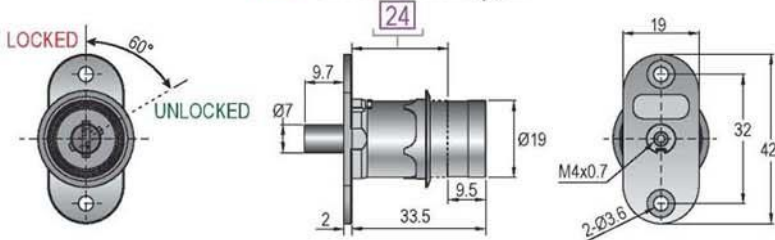
9204

Perfect for sliding door, showcase, file cabinet, drawer, wardrobe, desk furniture, etc

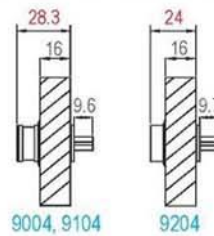
Cylinder Housing Length: 24mm

Package Includes: 1pc Push Lock, 2 pcs metal Keys, and with screw included for added extension

HL CYLINDER HOUSING LENGTH
 ขนาดความยาวดอกกุญแจ



COMPARISON OF THE LENGTH
 แสดงการเปรียบเทียบความยาว



KEY OPTIONS
 ดอกกุญแจที่มีให้เลือก



5K009-91
 FOLDING KEY CAP
 ดอกกุญแจแบบพับได้

MORTISSE SHUTTER LOCK

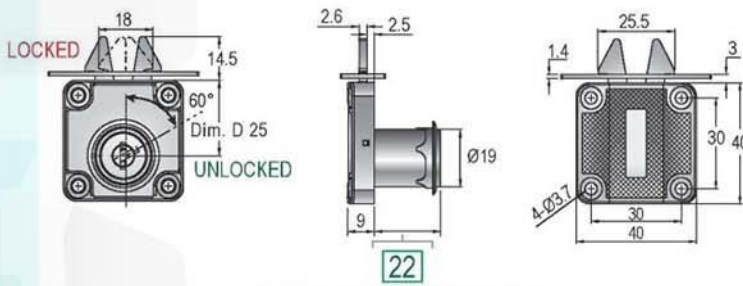
9205

Ideal for sliding cabinets, shutters or sliding wardrobe shutters which can be locked automatically to the side of the cabinet

Cylinder Housing Length: 22mm

Cylinder Hole Diameter: 19mm

Package includes: 1pc Drawer Lock, 2 pcs metal Key



HL CYLINDER HOUSING LENGTH
 ขนาดความยาวดอกกุญแจ

KEY OPTIONS
 ดอกกุญแจที่มีให้เลือก



5K009-91
 FOLDING KEY CAP
 ดอกกุญแจแบบพับได้

FIXING HOLE SIZE
 ขนาดรูเจาะ



Ø20mm

HL FOR WOOD THICKNESS
 สำหรับความหนาไม้

22 16-20mm



DRAWER LOCK

9018

SPCC Steel housing base

Widely used in Office Desk, Furniture and Cabinet Drawer

Filling Cabinet, Wood Desk Drawer, which need Lock

Cylinder Housing Length Diameter: 22mm

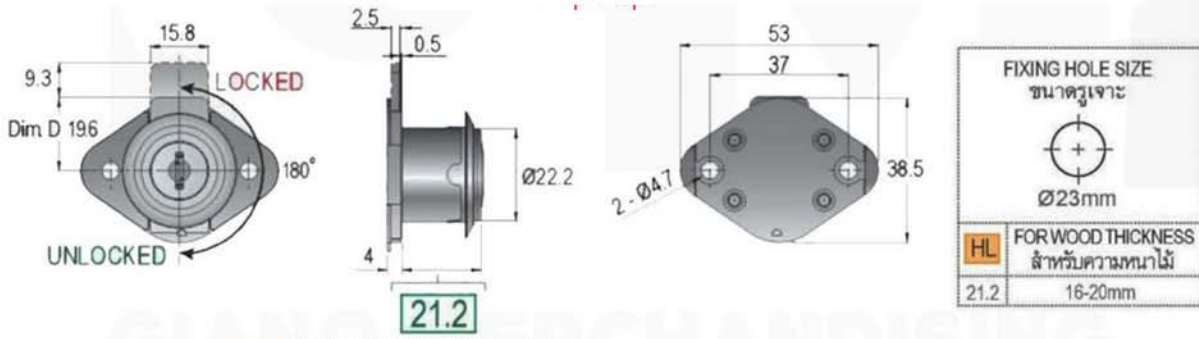
Package Includes: 1pc Drawer Lock

2pcs Metal Keys

Available;

Nickel Plated

Brass Plated



HL CYLINDER HOUSING LENGTH
 ขนาดความยาวคอกกุญแจ

GLASS CAMLOCK

9109

Single Glass Door Cabinet Lock (Vertical Fitting)

Click Action Mechanism

Key Removable in Locked and Unlocked positions

SPCC Steel Housing base

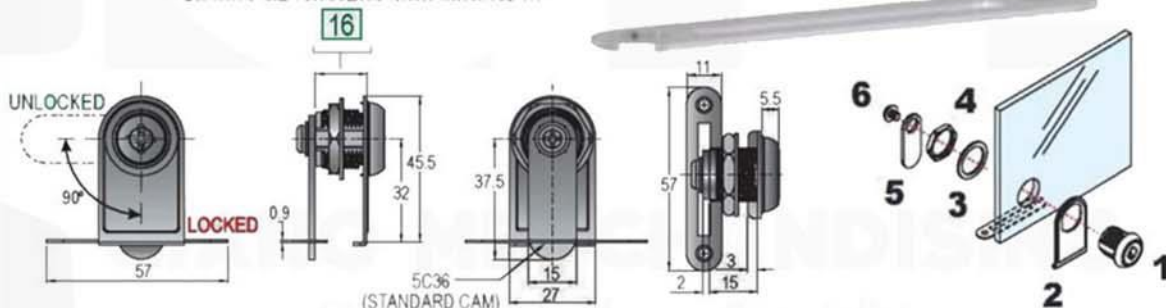
Zinc alloy Die Cast cylinder core and Cylinder housing

Glass drilling is Required

Package includes: 1 pc Glass Camlock, 2pcs Plastic Keys and Mounting parts



BL BRACKET LENGTH
 ขนาดความยาวตัวรับความหนาแผ่นกระจก





DRAWER LOCK

9022

SPCC steel housing base

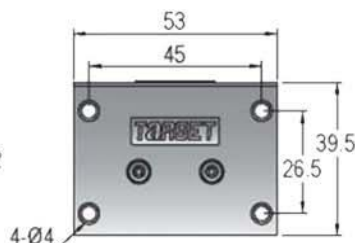
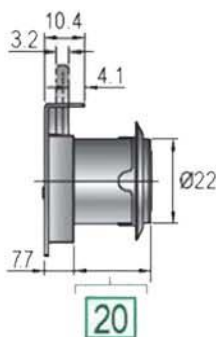
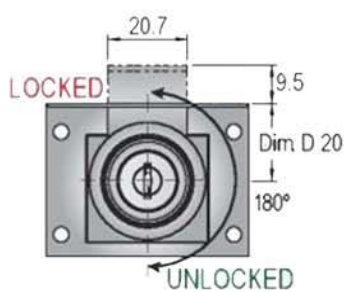
Zinc Alloy diecast cylinder core and cylinder housing

Being use to secure cabinet doors, drawers and much more

Cylinder Housing Length: 20mm

Cylinder Hole Diameter: 22mm

Package includes: 1pc Drawer Lock, 2 pcs metal Keys,
1 pc L-Plate



FIXING HOLE SIZE ขนาดรูเจาะ	
Ø23mm	
HL	FOR WOOD THICKNESS สำหรับความหนาไม้
20	16-18mm

CAM LOCK

9007

SPCC steel housing base

Zinc Alloy diecast cylinder core and cylinder housing

It is durable and strong, perfect for keeping your small items safe

Being use to secure cabinet doors, drawers and much more

Cylinder Housing Length: 20mm

Cylinder Hole Diameter: 22mm

Package includes: 1pc Drawer Lock, 2 pcs metal Keys,
1 pc L-Plate

Sizes:

16mm

20mm

25mm

30mm

32mm

