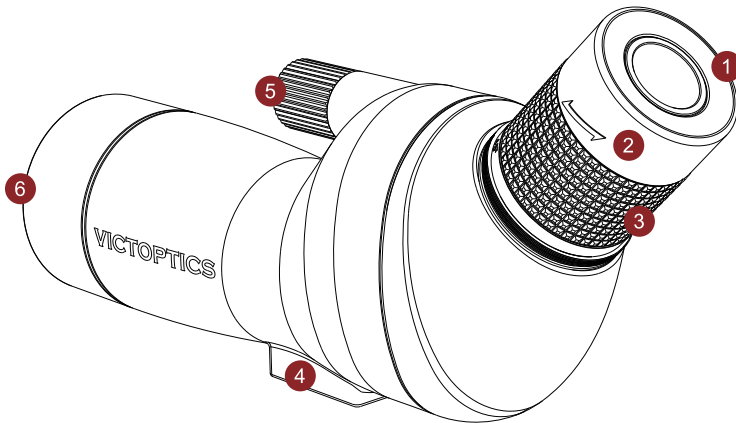


USER MANUAL FOR VICTOPTICS SPOTTING SCOPE



- ① Eye Piece
- ② Twist-Up Eyecup
- ③ Magnification Ring
- ④ Mount Adapter Port
- ⑤ Focus Ring
- ⑥ Objective Lens



Never Look Directly At The Sun With Your Spotting Scope, As It May Cause Serious Damage To Your Eyes.

NOTE: Remove the caps on the front and back of the spotting scope before use.

MOUNTING

The spotting scope shall be mounted on the tripod. Install the scope mounting base (1/4"-20 thread) on the platform of the tripod. Secure it in place and adjust the tripod as needed.

- ① Remove the spotting scope from its case.
- ② Spread out the tripod legs and place the tripod on a level surface.
- ③ Lock the spotting scope to the tripod base with the screw.
- ④ Use the handle to turn the bolt until it is secure, but do not overtighten.

MAGNIFICATION ADJUSTMENT

To change magnification, simply turn the power selector ring, choose the desired power depending on your preference, and align the number with the index box. When rotating this ring, the image appears to zoom in and out.

It may be necessary to re-focus after the magnification has been changed.

FOCUSING AND DIOPTRER SETTING

The spotting scope features a focus ring adjustment that allows you to turn the subject image for maximum sharpness for any range from its minimal yards to infinity. Simply turn the focus ring until the subject is focused and has maximum sharpness.

MAINTENANCE

Your spotting scope, though amazingly tough, is a precision instrument that deserves reasonable cautious care.

- When cleaning the lens, first blow away any dirt and dust, or use a soft lens brush. Fingerprints and lubricants can be wiped off with lens tissue, or soft microfiber clean cotton cloth, moistened with lens cleaning fluid.
- All moving parts of the spotting scope are permanently lubricated. Do not try to lubricate them.
- No maintenance is needed on the spotting scope's external surface, except to occasionally wipe off dirt fingerprints with a soft cloth.

STORAGE

Avoid storing the spotting scope in hot places, such as the passenger compartments of vehicles on hot days. The high temperatures could adversely affect the lubricants and sealants. A vehicle's trunk, a gun cabinet, or a closet is preferable. Never leave the device where direct sunlight can enter either the optics lens.



Protect the spotting scope from drop or impact and do not force any of the moving parts beyond the limits. Do not disassemble the spotting scope by yourself.

 **VICTOPTICS**

