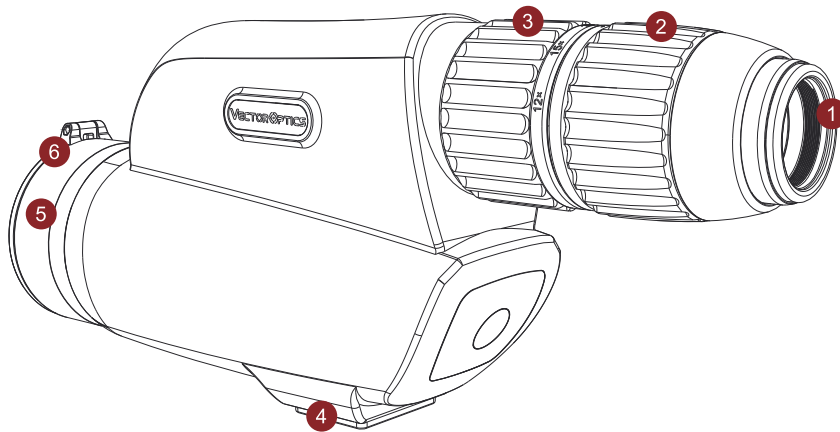


USER MANUAL FOR CONTINENTAL SPOTTING SCOPE



- 1 Diopter Ring
- 2 Focus Ring
- 3 Magnification Ring
- 4 Mount Adapter Port
- 5 Objective Lens
- 6 Lens Cover



Never Look Directly At The Sun With Your Spotting Scope, As It May Cause Serious Damage To Your Eyes.

NOTE: Remove the caps on the front and back of the spotting scope before use.

MOUNTING

The spotting scope shall be mounted on the tripod (not included). Install the scope mounting base (1/4"-20 thread) on the platform of the tripod. Secure it in place and adjust the tripod as needed.

- ① Remove the spotting scope from its case.
- ② Spread out the tripod legs and place the tripod on a level surface.
- ③ Lock the spotting scope to the tripod base with the screw.
- ④ Use the handle to turn the bolt until it is secure, but do not overtighten.

MAGNIFICATION ADJUSTMENT

To change magnification, simply turn the power selector ring, choose the desired power depending on your preference, and align the number with the index box. When rotating this ring, the image appears to zoom in and out.

It may be necessary to re-focus after the magnification has been changed.

FOCUSING AND DIOPTRER SETTING

The spotting scope features a focus adjustment that allows you to turn the subject image for maximum sharpness for any range from its minimal yards to infinity. Simply turn the focus ring until the subject is focused and has maximum sharpness.

Rotate the diopter ring until the reticle is sharp for your eyesight.

MAINTENANCE

Your spotting scope, though amazingly tough, is a precision instrument that deserves reasonable cautious care.

- When cleaning the lens, first blow away any dirt and dust, or use a soft lens brush. Fingerprints and lubricants can be wiped off with lens tissue, or soft microfiber clean cotton cloth, moistened with lens cleaning fluid.
- All moving parts of the spotting scope are permanently lubricated. Do not try to lubricate them.
- No maintenance is needed on the spotting scope's external surface, except to occasionally wipe off dirt fingerprints with a soft cloth.

STORAGE

Avoid storing the spotting scope in hot places, such as the passenger compartments of vehicles on hot days. The high temperatures could adversely affect the lubricants and sealants. A vehicle's trunk, a gun cabinet, or a closet is preferable. Never leave the device where direct sunlight can enter either the optics lens.



Protect the spotting scope from drop or impact and do not force any of the moving parts beyond the limits. Do not disassemble the spotting scope by yourself.

RETICLE PATTERN

You can calculate the range from the spotting scope reticle to the target or its size. If the size is given, you can use scales to calculate the range from the reticle to the target. If the range is given, you can use scales to calculate the size of the target.

RANGE FINDING FORMULA (THE SIZE IS GIVEN)

$$\text{Range (Yards / Meters)} = \frac{1000 \times \text{Target Size (Yards / Meters)}}{\text{Cross-scale Reading}}$$

$$\text{Range (Yards)} = \frac{27.8 \times \text{Target Size (Inches)}}{\text{Cross-scale Reading}}$$

HEIGHT FINDING FORMULA (THE RANGE IS GIVEN)

$$\text{Target Size (Yards / Meters)} = \frac{\text{Cross-scale Reading} \times \text{Range (Yards / Meters)}}{1000}$$

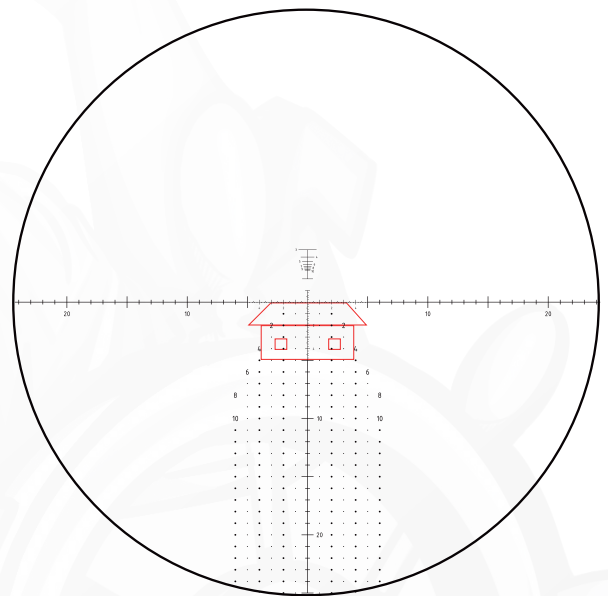
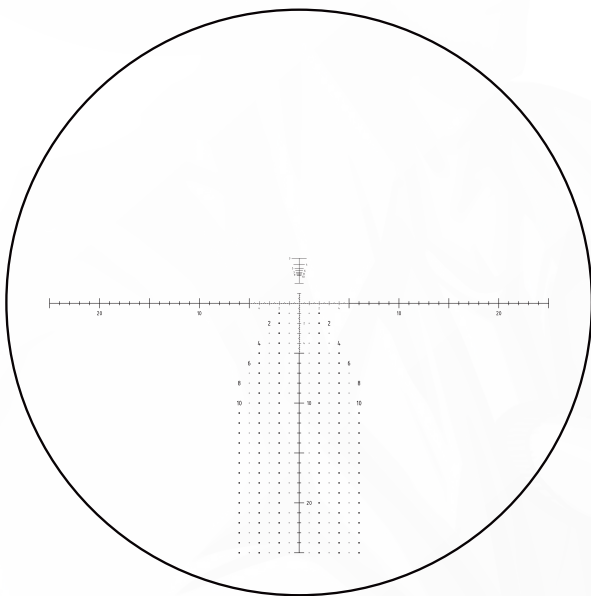
$$\text{Target Size (Inches)} = \frac{\text{Cross-scale Reading} \times \text{Range (Yards)}}{27.8}$$

Example A: The height of a building is 10 meters. While observing, align the far point of the cross-scale lines to the top of the building. Then, the bottom of the building has a reading of 5 on the cross-scale lines, and you can calculate the range A by the formula:

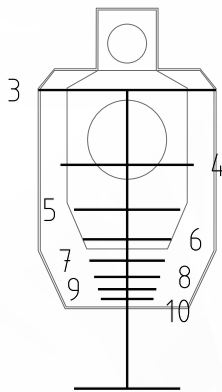
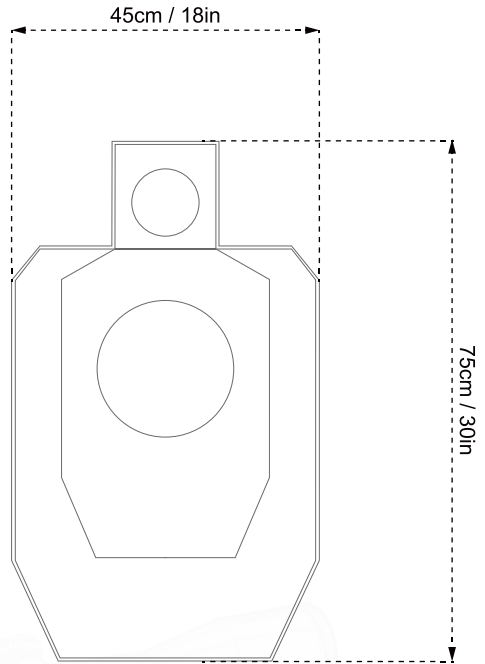
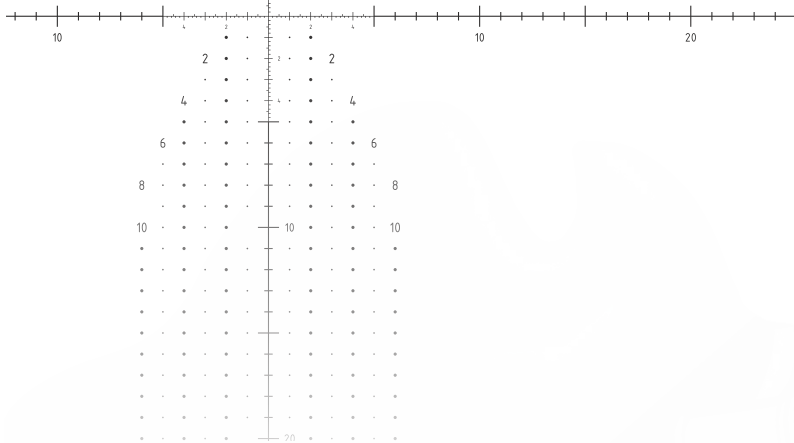
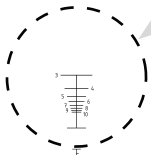
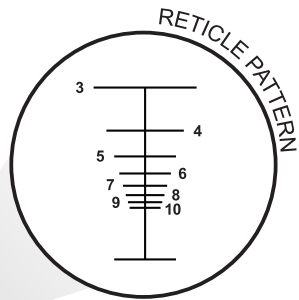
$$\text{Range} = \frac{1000 \times 10}{5} = 2000 \text{ meters}$$

Example B: The range from a building to your device is 1000 meters. While observing, align cross-scale lines to the top of the building. Then, the bottom of the building has a reading of 5 on the cross-scale lines, and you can Calculate the height by the formula:

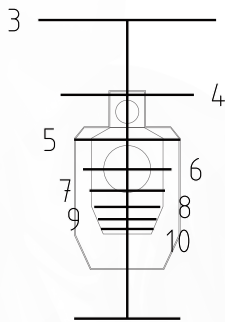
$$\text{Height of Building} = \frac{5 \times 1000}{1000} = 5 \text{ meters}$$



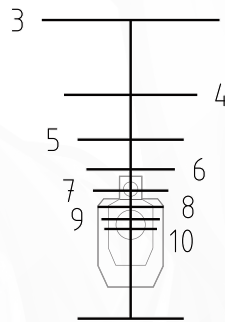
USING THE RANGING RETICLE



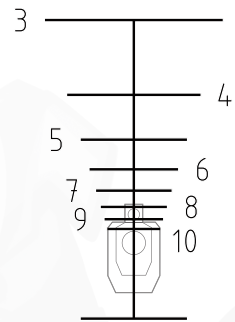
Target at
300 Meters
Shoulders same width as 3 mark



Target at
500 Meters
Shoulders same width as 5 mark



Target at
800 Meters
Shoulders same width as 8 mark



Target at
1000 Meters
Shoulders same width as 10 mark

