

Rookwood[®]

ARCHITECTURAL TILE

DIMENSION GUIDE

KITCHEN	2 - 6
BATHROOM	7 - 8
FLOOR	9
FIREPLACE	10

This packet is to serve as a guide for calculating the total square footage of a project. Confirming calculations and quantities with your tile installer is highly recommended. 7-10% overage is recommended in addition to the total square footage calculated. 15-20% overage is suggested for an install that requires multiple cuts or transitions. Please reach out to your Rookwood Tile Associate with any questions regarding calculations, quantities, transitions, or tile selections.

Name _____
 Email _____
 Phone _____

TOOLS YOU'LL NEED



AREA

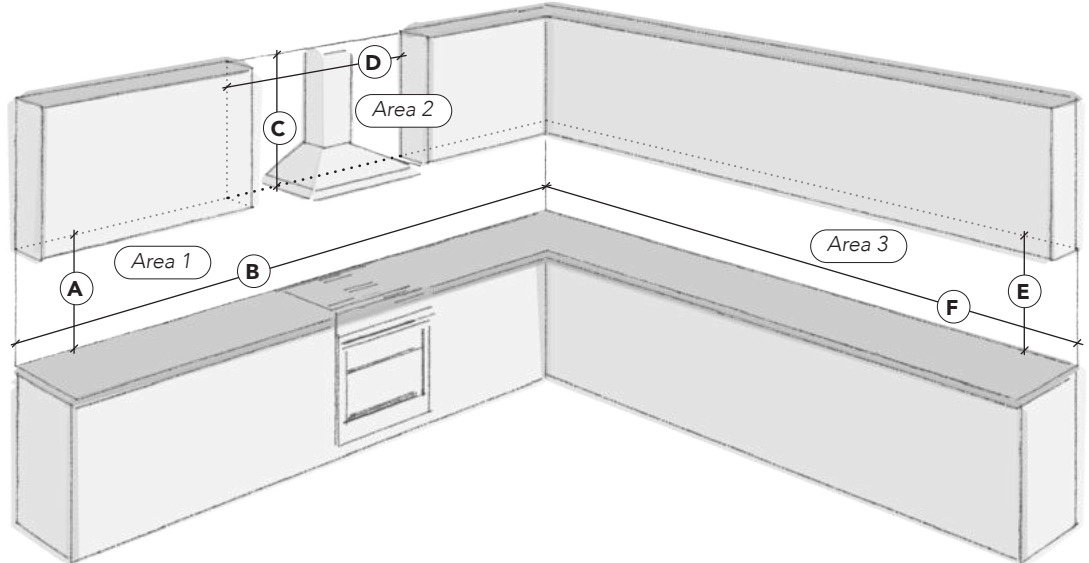
width (inches) x height (inches) = area in square inches
 area in square inches ÷ 144 inches = area in square feet

1 MEASURE

Use the template below to gather dimensions.

Measurements in inches.

- A** Height of Area 1
- B** Length of Area 1
- C** Height of Area 2
- D** Length of Area 2
- E** Height of Area 3
- F** Length of Area 3



2 CALCULATE SQUARE FOOTAGE

Enter the measurements above to calculate.

Area 1 $\left(\begin{matrix} \text{A} & \text{B} \\ \square & \times & \square \end{matrix} \right) \div 144 = \square \text{ sq. ft.}$

Area 2 $\left(\begin{matrix} \text{C} & \text{D} \\ \square & \times & \square \end{matrix} \right) \div 144 = \square \text{ sq. ft.}$

Area 3 $\left(\begin{matrix} \text{E} & \text{F} \\ \square & \times & \square \end{matrix} \right) \div 144 = \square \text{ sq. ft.}$

Area 1 (sq. ft.)	Area 2 (sq. ft.)	Area 3 (sq. ft.)	Total sq. ft.
<input type="text"/>	<input type="text"/>	<input type="text"/>	<input type="text"/>

LINEAR FOOTAGE

Linear Footage will need to be calculated if trim or decorative elements will be featured in the installation.

length (inches) ÷ 12 inches = linear feet

3 GET IN TOUCH

Submit your completed template to your Rookwood Tile Associate. Get in touch at sales@rookwood.com.

This packet is to serve as a guide for calculating the total square footage of a project. Confirming calculations and quantities with your tile installer is highly recommended. 7-10% overage is recommended in addition to the total square footage calculated. 15-20% overage is suggested for an install that requires multiple cuts or transitions. Please reach out to your Rookwood Tile Associate with any questions regarding calculations, quantities, transitions, or tile selections.

Name _____
 Email _____
 Phone _____

TOOLS YOU'LL NEED



AREA

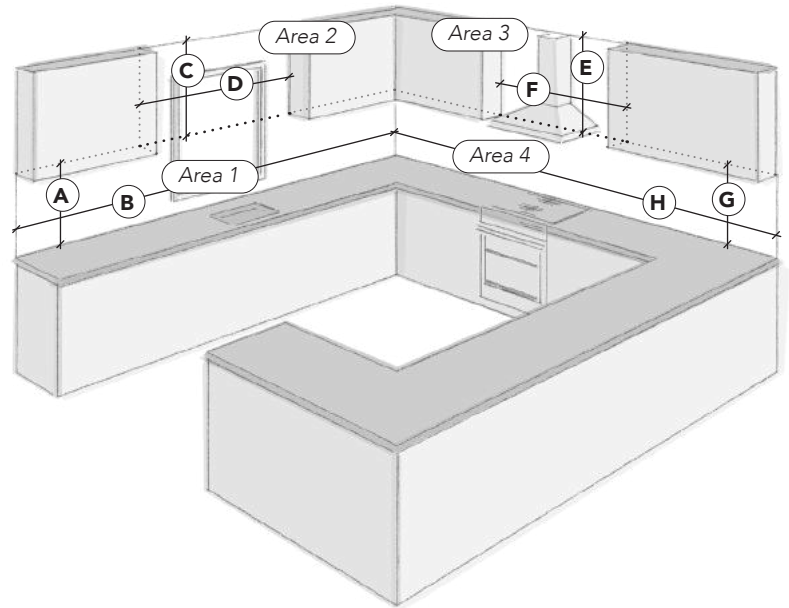
width (inches) x height (inches) = area in square inches
 area in square inches ÷ 144 inches = area in square feet

1 MEASURE

Use the template below to gather dimensions.

Measurements in inches.

<input type="text"/>	A Height of Area 1	<input type="text"/>	E Height of Area 3
<input type="text"/>	B Length of Area 1	<input type="text"/>	F Length of Area 3
<input type="text"/>	C Height of Area 2	<input type="text"/>	G Height of Area 4
<input type="text"/>	D Length of Area 2	<input type="text"/>	H Length of Area 4
<input type="text"/>		<input type="text"/>	Height of Window
<input type="text"/>		<input type="text"/>	Width of Window



2 CALCULATE SQUARE FOOTAGE

Enter the measurements above to calculate.

Area 1	$\left(\begin{matrix} \text{A} \\ \text{B} \\ \text{---} \times \text{---} \\ \text{---} \end{matrix} \right) \div 144 = \text{---} \text{ sq. ft.}$
Area 2	$\left(\begin{matrix} \text{C} \\ \text{D} \\ \text{---} \times \text{---} \\ \text{---} \end{matrix} \right) \div 144 = \text{---} \text{ sq. ft.}$
Area 3	$\left(\begin{matrix} \text{E} \\ \text{F} \\ \text{---} \times \text{---} \\ \text{---} \end{matrix} \right) \div 144 = \text{---} \text{ sq. ft.}$
Area 4	$\left(\begin{matrix} \text{G} \\ \text{H} \\ \text{---} \times \text{---} \\ \text{---} \end{matrix} \right) \div 144 = \text{---} \text{ sq. ft.}$

LINEAR FOOTAGE

Linear Footage will need to be calculated if trim or decorative elements will be featured in the installation.

length (inches) ÷ 12 inches = linear feet

Area 1 (sq. ft.)	+	Area 2 (sq. ft.)	+	Area 3 (sq. ft.)	+	Area 4 (sq. ft.)	=	Total sq. ft.
<input type="text"/>		<input type="text"/>		<input type="text"/>		<input type="text"/>		<input type="text"/>

The area of the window may be subtracted to get exact sq.ft.
 or may be left into the equation to count towards overage.

3 GET IN TOUCH

Submit your completed template to your Rookwood Tile Associate. Get in touch at sales@rookwood.com.

This packet is to serve as a guide for calculating the total square footage of a project. Confirming calculations and quantities with your tile installer is highly recommended. 7-10% overage is recommended in addition to the total square footage calculated. 15-20% overage is suggested for an install that requires multiple cuts or transitions. Please reach out to your Rookwood Tile Associate with any questions regarding calculations, quantities, transitions, or tile selections.

Name _____
 Email _____
 Phone _____

TOOLS YOU'LL NEED

AREA

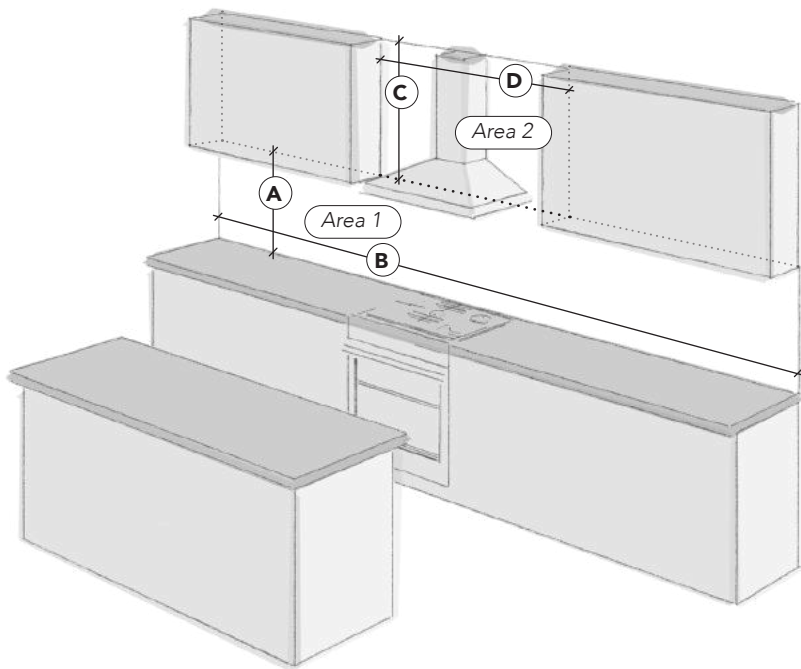
width (inches) x height (inches) = area in square inches
 area in square inches ÷ 144 inches = area in square feet

1 MEASURE

Use the template below to gather dimensions.

Measurements in inches.

A Height of Area 1
 B Length of Area 1
 C Height of Area 2
 D Length of Area 2



2 CALCULATE SQUARE FOOTAGE

Enter the measurements above to calculate.

Area 1 $\left(\begin{matrix} \text{A} \\ \text{B} \end{matrix} \right) \left(\begin{matrix} \text{ } \\ \text{ } \end{matrix} \right) \div 144 = \text{ } \text{ sq. ft.}$
Area 2 $\left(\begin{matrix} \text{C} \\ \text{D} \end{matrix} \right) \left(\begin{matrix} \text{ } \\ \text{ } \end{matrix} \right) \div 144 = \text{ } \text{ sq. ft.}$

Area 1 (sq. ft.)	+	Area 2 (sq. ft.)	=	Total sq. ft.
<input type="text"/>		<input type="text"/>		<input type="text"/>

LINEAR FOOTAGE

Linear Footage will need to be calculated if trim or decorative elements will be featured in the installation.

length (inches) ÷ 12 inches = linear feet

3 GET IN TOUCH

Submit your completed template to your Rookwood Tile Associate. Get in touch at sales@rookwood.com.

This packet is to serve as a guide for calculating the total square footage of a project. Confirming calculations and quantities with your tile installer is highly recommended. 7-10% overage is recommended in addition to the total square footage calculated. 15-20% overage is suggested for an install that requires multiple cuts or transitions. Please reach out to your Rookwood Tile Associate with any questions regarding calculations, quantities, transitions, or tile selections.

Name _____
 Email _____
 Phone _____

TOOLS YOU'LL NEED



AREA

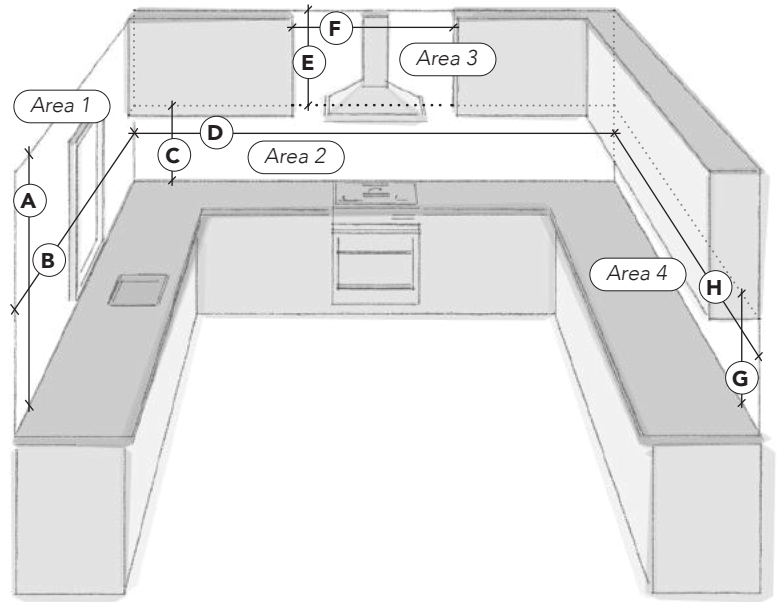
width (inches) x height (inches) = area in square inches
 area in square inches ÷ 144 inches = area in square feet

1 MEASURE

Use the template below to gather dimensions.

Measurements in inches.

<input type="text"/>	A Height of Area 1	<input type="text"/>	E Height of Area 3
<input type="text"/>	B Length of Area 1	<input type="text"/>	F Length of Area 3
<input type="text"/>	C Height of Area 2	<input type="text"/>	G Height of Area 4
<input type="text"/>	D Length of Area 2	<input type="text"/>	H Length of Area 4
<input type="text"/>		<input type="text"/>	Height of Window
<input type="text"/>		<input type="text"/>	Width of Window



2 CALCULATE SQUARE FOOTAGE

Enter the measurements above to calculate.

Area 1	$\left(\begin{matrix} \text{A} \\ \text{B} \end{matrix} \right)$	$\left(\begin{matrix} \text{C} \\ \text{D} \end{matrix} \right)$	$\div 144 =$	<input type="text"/>	sq. ft.
Area 2	$\left(\begin{matrix} \text{E} \\ \text{F} \end{matrix} \right)$	$\left(\begin{matrix} \text{G} \\ \text{H} \end{matrix} \right)$	$\div 144 =$	<input type="text"/>	sq. ft.
Area 3	$\left(\begin{matrix} \text{A} \\ \text{B} \end{matrix} \right)$	$\left(\begin{matrix} \text{C} \\ \text{D} \end{matrix} \right)$	$\div 144 =$	<input type="text"/>	sq. ft.
Area 4	$\left(\begin{matrix} \text{E} \\ \text{F} \end{matrix} \right)$	$\left(\begin{matrix} \text{G} \\ \text{H} \end{matrix} \right)$	$\div 144 =$	<input type="text"/>	sq. ft.

LINEAR FOOTAGE

Linear Footage will need to be calculated if trim or decorative elements will be featured in the installation.

length (inches) ÷ 12 inches = linear feet

Area 1 (sq. ft.)	Area 2 (sq. ft.)	Area 3 (sq. ft.)	Area 4 (sq. ft.)	Total sq. ft.
<input type="text"/>	<input type="text"/>	<input type="text"/>	<input type="text"/>	<input type="text"/>

The area of the window may be subtracted to get exact sq.ft.
 or may be left into the equation to count towards overage.

3 GET IN TOUCH

Submit your completed template to your Rookwood Tile Associate. Get in touch at sales@rookwood.com.

This packet is to serve as a guide for calculating the total square footage of a project. Confirming calculations and quantities with your tile installer is highly recommended. 7-10% overage is recommended in addition to the total square footage calculated. 15-20% overage is suggested for an install that requires multiple cuts or transitions. Please reach out to your Rookwood Tile Associate with any questions regarding calculations, quantities, transitions, or tile selections.

Name _____
 Email _____
 Phone _____

TOOLS YOU'LL NEED



AREA

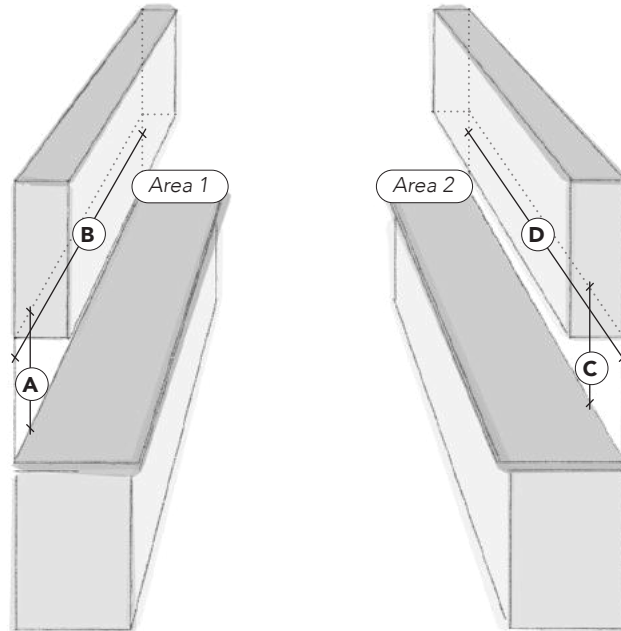
width (inches) x height (inches) = area in square inches
 area in square inches ÷ 144 inches = area in square feet

1 MEASURE

Use the template below to gather dimensions.

Measurements in inches.

A Height of Area 1
 B Length of Area 1
 C Height of Area 2
 D Length of Area 2



2 CALCULATE SQUARE FOOTAGE

Enter the measurements above to calculate.

Area 1 $\left(\begin{matrix} \text{A} \\ \text{B} \end{matrix} \right) \left(\begin{matrix} \text{ } \\ \text{ } \end{matrix} \right) \div 144 = \text{ } \text{ sq. ft.}$

Area 2 $\left(\begin{matrix} \text{C} \\ \text{D} \end{matrix} \right) \left(\begin{matrix} \text{ } \\ \text{ } \end{matrix} \right) \div 144 = \text{ } \text{ sq. ft.}$

Area 1 (sq. ft.) + Area 2 (sq. ft.) = Total sq. ft.

LINEAR FOOTAGE

Linear Footage will need to be calculated if trim or decorative elements will be featured in the installation.

length (inches) ÷ 12 inches = linear feet

3 GET IN TOUCH

Submit your completed template to your Rookwood Tile Associate. Get in touch at sales@rookwood.com.

This packet is to serve as a guide for calculating the total square footage of a project. Confirming calculations and quantities with your tile installer is highly recommended. 7-10% overage is recommended in addition to the total square footage calculated. 15-20% overage is suggested for an install that requires multiple cuts or transitions. Please reach out to your Rookwood Tile Associate with any questions regarding calculations, quantities, transitions, or tile selections.

Name _____
 Email _____
 Phone _____

TOOLS YOU'LL NEED



AREA

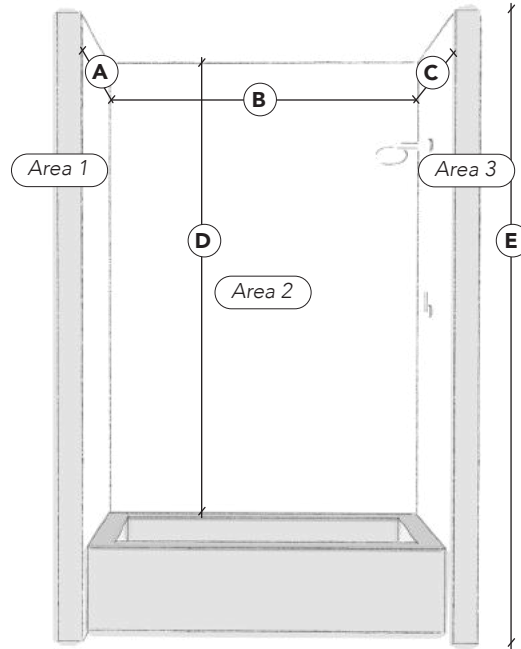
width (inches) x height (inches) = area in square inches
 area in square inches ÷ 144 inches = area in square feet

1 MEASURE

Use the template below to gather dimensions.

Measurements in inches.

A Depth of Area 1
 B Width of Area 2
 C Depth of Area 3
 D Height of Area 2
 E Ceiling Height



2 CALCULATE SQUARE FOOTAGE

Enter the measurements above to calculate.

Area 1 $\left(\begin{matrix} \text{A} \\ \text{D} \end{matrix} \right) \left(\text{ } \times \text{ } \right) \div 144 = \text{ } \text{ sq. ft.}$

Area 2 $\left(\begin{matrix} \text{B} \\ \text{D} \end{matrix} \right) \left(\text{ } \times \text{ } \right) \div 144 = \text{ } \text{ sq. ft.}$

Area 3 $\left(\begin{matrix} \text{C} \\ \text{D} \end{matrix} \right) \left(\text{ } \times \text{ } \right) \div 144 = \text{ } \text{ sq. ft.}$

Area 1 (sq. ft.)	+	Area 2 (sq. ft.)	+	Area 3 (sq. ft.)	=	Total sq. ft.
<input type="text"/>		<input type="text"/>		<input type="text"/>		<input type="text"/>

LINEAR FOOTAGE

Linear Footage will need to be calculated if trim or decorative elements will be featured in the installation.

length (inches) ÷ 12 inches = linear feet

3 GET IN TOUCH

Submit your completed template to your Rookwood Tile Associate. Get in touch at sales@rookwood.com.

This packet is to serve as a guide for calculating the total square footage of a project. Confirming calculations and quantities with your tile installer is highly recommended. 7-10% overage is recommended in addition to the total square footage calculated. 15-20% overage is suggested for an install that requires multiple cuts or transitions. Please reach out to your Rookwood Tile Associate with any questions regarding calculations, quantities, transitions, or tile selections.

Name _____
 Email _____
 Phone _____

TOOLS YOU'LL NEED



AREA

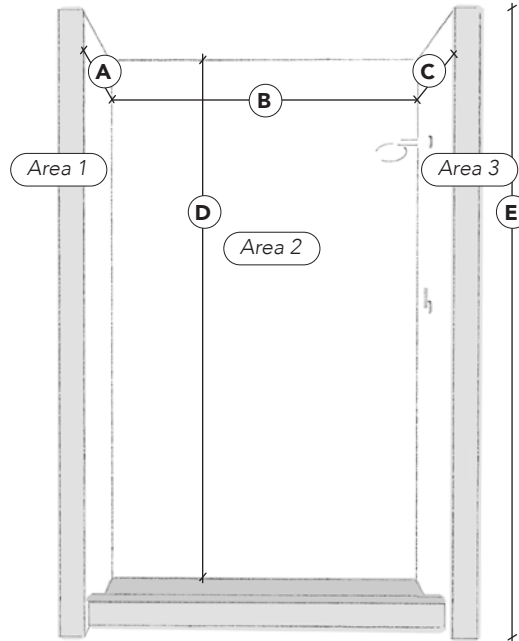
width (inches) x height (inches) = area in square inches
 area in square inches ÷ 144 inches = area in square feet

1 MEASURE

Use the template below to gather dimensions.

Measurements in inches.

A Depth of Area 1
 B Width of Area 2
 C Depth of Area 3
 D Height of Area 2
 E Ceiling Height



2 CALCULATE SQUARE FOOTAGE

Enter the measurements above to calculate.

Area 1 $\left(\begin{matrix} \text{A} \\ \text{D} \end{matrix} \right) \left(\text{ } \times \text{ } \right) \div 144 = \text{ } \text{ sq. ft.}$

Area 2 $\left(\begin{matrix} \text{B} \\ \text{D} \end{matrix} \right) \left(\text{ } \times \text{ } \right) \div 144 = \text{ } \text{ sq. ft.}$

Area 3 $\left(\begin{matrix} \text{C} \\ \text{D} \end{matrix} \right) \left(\text{ } \times \text{ } \right) \div 144 = \text{ } \text{ sq. ft.}$

Area 1 (sq. ft.)	+	Area 2 (sq. ft.)	+	Area 3 (sq. ft.)	=	Total sq. ft.
<input type="text"/>		<input type="text"/>		<input type="text"/>		<input type="text"/>

LINEAR FOOTAGE

Linear Footage will need to be calculated if trim or decorative elements will be featured in the installation.

length (inches) ÷ 12 inches = linear feet

3 GET IN TOUCH

Submit your completed template to your Rookwood Tile Associate. Get in touch at sales@rookwood.com.

This packet is to serve as a guide for calculating the total square footage of a project. Confirming calculations and quantities with your tile installer is highly recommended. 7-10% overage is recommended in addition to the total square footage calculated. 15-20% overage is suggested for an install that requires multiple cuts or transitions. Please reach out to your Rookwood Tile Associate with any questions regarding calculations, quantities, transitions, or tile selections.

Name _____
 Email _____
 Phone _____

TOOLS YOU'LL NEED



AREA

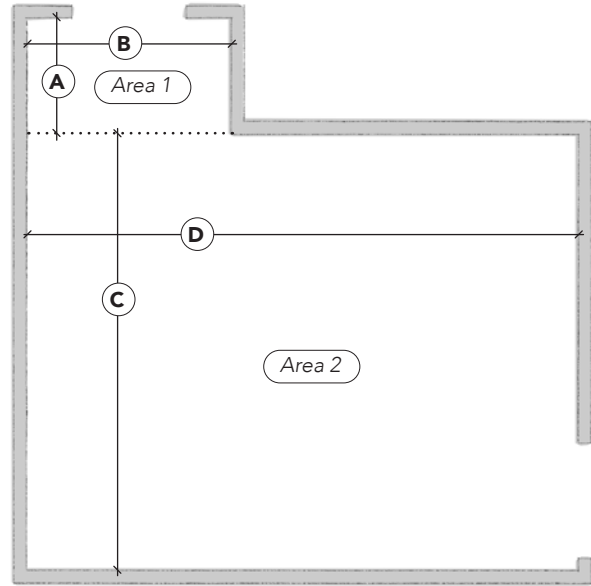
width (inches) x height (inches) = area in square inches
 area in square inches ÷ 144 inches = area in square feet

1 MEASURE

Use the template below to gather dimensions.

Measurements in inches.

A Length of Area 1
 B Width of Area 1
 C Length of Area 2
 D Width of Area 2



2 CALCULATE SQUARE FOOTAGE

Enter the measurements above to calculate.

Area 1 $\left(\begin{matrix} \text{A} \\ \text{B} \end{matrix} \right) \left(\begin{matrix} \text{ } \\ \text{ } \end{matrix} \right) \div 144 = \text{ } \text{ sq. ft.}$

Area 2 $\left(\begin{matrix} \text{C} \\ \text{D} \end{matrix} \right) \left(\begin{matrix} \text{ } \\ \text{ } \end{matrix} \right) \div 144 = \text{ } \text{ sq. ft.}$

Area 1 (sq. ft.) + **Area 2 (sq. ft.)** = **Total sq. ft.**

LINEAR FOOTAGE

Linear Footage will need to be calculated if trim or decorative elements will be featured in the installation.

length (inches) ÷ 12 inches = linear feet

3 GET IN TOUCH

Submit your completed template to your Rookwood Tile Associate. Get in touch at sales@rookwood.com.

This packet is to serve as a guide for calculating the total square footage of a project. Confirming calculations and quantities with your tile installer is highly recommended. 7-10% overage is recommended in addition to the total square footage calculated. 15-20% overage is suggested for an install that requires multiple cuts or transitions. Please reach out to your Rookwood Tile Associate with any questions regarding calculations, quantities, transitions, or tile selections.

Name _____
 Email _____
 Phone _____

TOOLS YOU'LL NEED



AREA

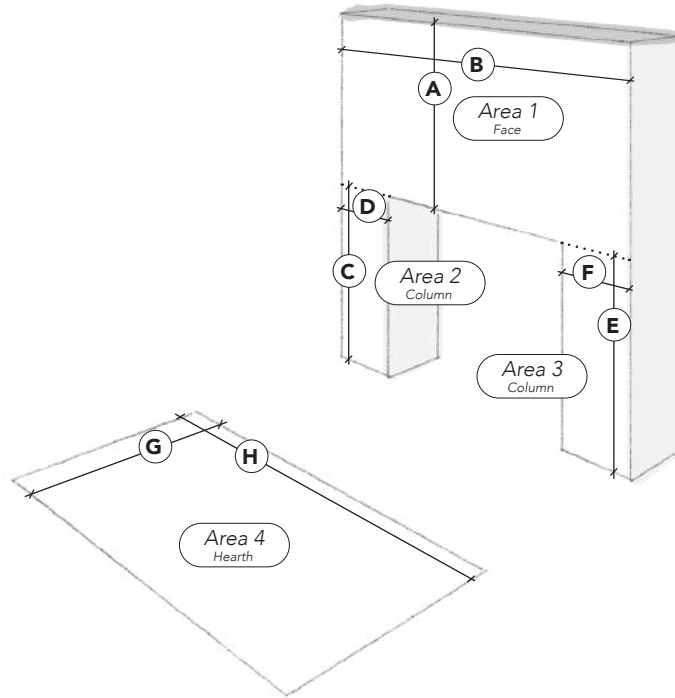
width (inches) x height (inches) = area in square inches
 area in square inches ÷ 144 inches = area in square feet

1 MEASURE

Use the template below to gather dimensions.

Measurements in inches.

A Height of Area 1
 B Width of Area 1
 C Height of Area 2
 D Width of Area 2
 E Height of Area 3
 F Width of Area 3
 G Height of Area 4
 H Length of Area 4



2 CALCULATE SQUARE FOOTAGE

Enter the measurements above to calculate.

Face Area 1 $\left(\begin{matrix} \text{A} & \text{B} \\ \square & \times & \square \end{matrix} \right) \div 144 = \square \text{ sq. ft.}$

Area 2 $\left(\begin{matrix} \text{C} & \text{D} \\ \square & \times & \square \end{matrix} \right) \div 144 = \square \text{ sq. ft.}$

Columns Area 3 $\left(\begin{matrix} \text{E} & \text{F} \\ \square & \times & \square \end{matrix} \right) \div 144 = \square \text{ sq. ft.}$

Hearth Area 4 $\left(\begin{matrix} \text{G} & \text{H} \\ \square & \times & \square \end{matrix} \right) \div 144 = \square \text{ sq. ft.}$

LINEAR FOOTAGE

Linear Footage will need to be calculated if trim or decorative elements will be featured in the installation.

length (inches) ÷ 12 inches = linear feet

Area 1 (sq. ft.)	+	Area 2 (sq. ft.)	+	Area 3 (sq. ft.)	+	Area 4 (sq. ft.)	=	Total sq. ft.
<input type="text"/>		<input type="text"/>		<input type="text"/>		<input type="text"/>		<input type="text"/>

3 GET IN TOUCH

Submit your completed template to your Rookwood Tile Associate. Get in touch at sales@rookwood.com.

This packet is to serve as a guide for calculating the total square footage of a project. Confirming calculations and quantities with your tile installer is highly recommended. 7-10% overage is recommended in addition to the total square footage calculated. 15-20% overage is suggested for an install that requires multiple cuts or transitions. Please reach out to your Rookwood Tile Associate with any questions regarding calculations, quantities, transitions, or tile selections.

Name _____
Email _____
Phone _____

TOOLS YOU'LL NEED



AREA

width (inches) x height (inches) = area in square inches
area in square inches ÷ 144 inches = area in square feet

