

VitrA

V-CARE



V-CARE

When you feel fresh and clean, it gives you the confidence to take on the demands of the day. Using water to clean yourself after the toilet is becoming more popular as people understand and experience that feeling of complete freshness and cleanliness.

Introducing V-care WC, the new generation of shower toilet from Vitra, redefining the standard by combining the functionality of a toilet and the cleaning properties of a bidet into a stylish WC that can seamlessly integrate into your bathroom.

Your comfort is paramount so the washing experience can be personalised to meet your preferences by adjusting the intensity, temperature and direction of the water. The temperature of the ergonomically designed seat can also be controlled, plus the automatic air purification system eradicates unwanted aromas.

The V-care WC is completely hygienic; the nozzle automatically cleans itself before and after each use. It's made of stainless steel and the tip is chrome plated for long-lasting durability and hygiene. The WC itself is also incredibly hygienic as it has a rimless interior which means that there are no concealed channels for dirt to become trapped.

It is really easy to operate using the remote control and it has sensors that detect when you are in the right position to begin. The buttons on the side of the WC operate the basic features, and you can turn the extra washing features off so that it can function like a standard WC. For the ultimate convenience the Comfort option offers an automatically opening and closing toilet seat cover.

Vitra understands that style is important in any bathroom and there's no compromise with the V-care WC. The fixtures and electronic parts of the WC are concealed so that it looks just like a regular toilet. The streamlined and modern look was conceived of by the Design Studio NOA to ensure it integrates seamlessly into your bathroom.





Soft Closing



Sensor



Hygienic



Water Saving



Easy Installation



Rim-ex

Guarantees:
WC Pan - 10 years
Toilet seat - 2 years



V-CARE: THE SMARTER WC COMBINING THE FUNCTIONALITY OF A TOILET AND THE CLEANING PROPERTIES OF A BIDET

- Stylish design to complement all types of bathrooms and styles
- Available in two models; Essential and Comfort
- The remote control and automatic sensors help to deliver a totally hands-free experience
- Simple to use via remote control or buttons on the WC
- Multiple washing options
- Adjustable seat temperatures#
- Ergonomically designed seat for maximum comfort
- Air purification for a fresher bathroom
- Rim-ex WC pan for improved hygiene and easier cleaning
- Adjustable drying options**
- Automatic open/close seat cover*
- Oscillating and pulsating jet options**

* Comfort model only
Five different settings

FEATURES AND BENEFITS

MORE HYGIENIC

V-care offers hands-free WC use and with the Comfort model the seat cover opens automatically when you approach. The seat itself can also be lifted by using a button on the remote. The integrated washing function is started with the simple touch of the button while sitting comfortably on the WC. The washing and drying options are also controlled via the remote control.



SIMPLE TO OPERATE

V-care can be used via the remote control and has a very simple, intuitive user interface. The basic functions of the WC can also be controlled using buttons located on the side of the toilet seat. Each adjustable function has the additional benefit of 5 different settings.

EASY-TO-CLEAN

With concealed fixings and no awkward rim to negotiate in the inner bowl, the V-care WC is very easy to clean. Rim-ex technology (see page 12) replaces the standard rim inside the WC making it 95% more hygienic* and enabling cleaning of the inner bowl with a single wipe.



DESIGNED FOR COMFORT

The seat is designed with an ergonomic shape for optimum comfort and comes complete with remote-controlled 5 seat temperature adjustments.

* Tests undertaken by the Akdeniz University, Turkey

ENERGY-SAVING FUNCTION

Select from four modes:

1. Standard - all functions and temperature adjustments are available
2. Energy-saving - all functions available but temperature remains at minimum level
3. Stand-by - disables all functions except the water temperature controller to keep the water above 18°C for personal cleaning
4. Off - isolates all additional features and enables the toilet to be used as conventional WC



CLEANSING

The specially designed nozzle can be positioned to suit each user choosing from the 5 options available. There are front and rear washing options available, with the less powerful water supply for the more sensitive area. Water temperature (max 40°C) and intensity can be adjusted based on personal preference. On the Comfort model, the nozzle also offers oscillating and pulsing options, which also have 5 settings.

DRYING AND AIR PURIFICATION

After use, a drying function, with adjustable drying temperature, can be selected (Comfort model only). In both Comfort and Essential models, an air purification process is automatically activated when the user is seated on the WC, helping to remove unwanted odours.



MODEL CHOICE

ESSENTIAL

With an extensive range of V-care features, in the same stylish design as the Comfort option, you can enjoy a completely hands-free experience using the intuitive remote control.

Adjust the ergonomic seat temperature to make yourself comfortable and alter the jet position and water temperature to get a personalised wash that will leave you feeling clean and refreshed, the air purifier will also remove any unpleasant odours. All of these features can be operated from the remote control so there is no need to have to twist or turn during use, you can simply enjoy a new level of comfort, convenience and personal hygiene.

COMFORT

The comfort model has additional functions and adjustments to suit your personal preferences and ensure you feel totally pampered, it even senses your approach and opens the seat for you.

All washing features can be personalised to provide the most comfortable temperature and water pressure for you. The pulsation and oscillating options have an invigorating effect; providing gentle yet thorough personal cleaning.

You can choose the temperature of the warm air dryer so you can remain completely relaxed and in control. When you have finished and left the area a sensor will automatically close the toilet seat cover completing your V-care Comfort experience.



For every adjustable function, there are 5 different settings.

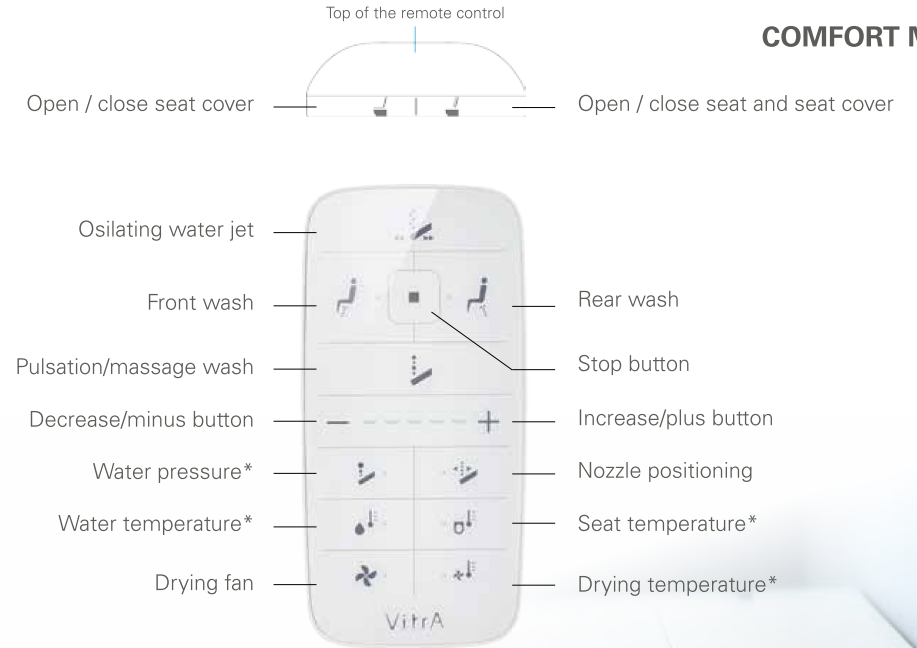
FEATURE	FUNCTIONS	ESSENTIAL MODEL	COMFORT MODEL
Cleaning	Rear wash	✓	✓
	Front wash	✓	✓
	Adjustable nozzle position	✓	✓
	Adjustable jet intensity (water pressure control)	✓	✓
	Automatic back and forth jet (oscillating)		✓
	Water pulsation		✓
	Dryer with adjustable temperature		✓
	Adjustable water temperature	✓	✓
Hygiene	Automatic air purification process	✓	✓
	Rimless design (Rim-ex)	✓	✓
	Self cleaning nozzle	✓	✓
	Removable nozzle tip for manual cleaning	✓	✓
Seat	Automatic open/close		✓
	Heated seat with adjustable temperature	✓	✓
	Soft close seat and cover	✓	✓
Design	Contemporary styling	✓	✓
	Concealed plumbing connections	✓	✓
	Concealed electricity connections	✓	✓
	Complements any Vitra suite	✓	✓
	Hands-free stylish remote control	✓	✓
Sustainability	Energy saving mode	✓	✓

ESSENTIAL MODEL



*Press the function button and then use - / + to adjust the setting

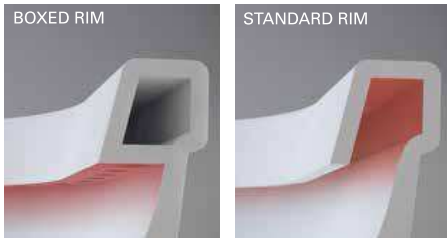
COMFORT MODEL



*Press the function button and then use - / + to adjust the setting

Controls on the seat offer an additional way of using basic functions

RIM-EX TECHNOLOGY



In addition to offering a personalised washing experience, the V-care pan includes a rimless design. VitrA's rimless WC pan technology alleviates one of the most unhygienic aspects of traditional WC design, where hard-to-clean rims can harbour germs and allow them to multiply unchecked. The unique design of our Rim-ex pans incorporates a water diverter to direct the flush around the bowl, which can be easily removed for cleaning.

- Easy cleaning
- No rim or hidden channels for germs to collect
- 95% more hygienic than standard WC pans*

* Tests undertaken by the Akdeniz University, Turkey show Rim-ex WC pans are easier to clean and 95% more hygienic compared to standard WC pans.



REMOVEABLE AND REPLACEABLE PARTS

The Rim-ex water diverter can easily be removed for cleaning. The V-care nozzle is automatically rinsed with fresh water before and after every use, the tip can also be easily removed for manual cleaning if required. After 2 years we recommend replacing the air purifying carbon filter which can easily be detached by removing the seat.

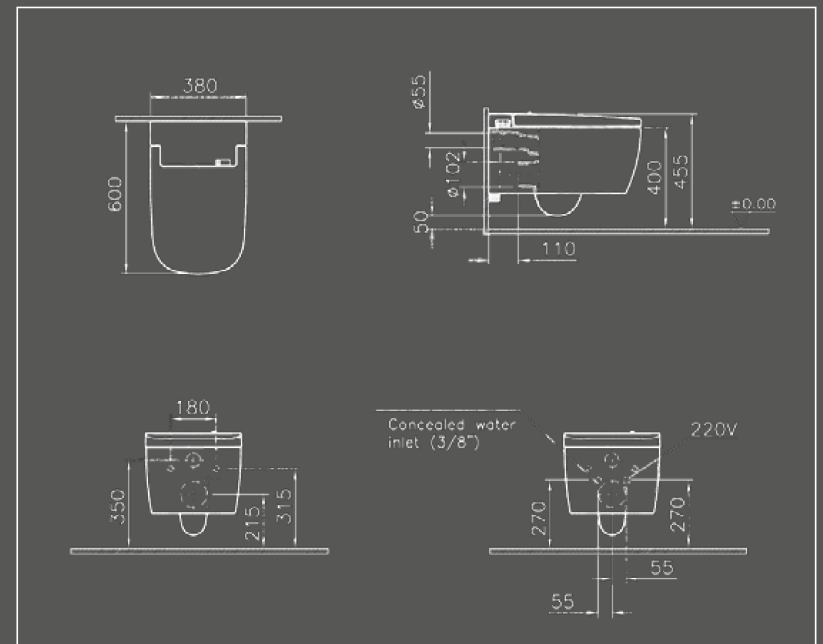


Removeable water diverter



Removeable nozzle tip

TECHNICAL & INSTALLATION



TECHNICAL AND INSTALLATION

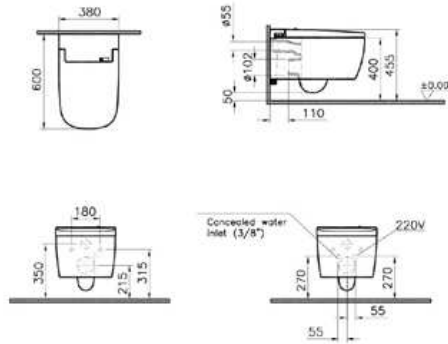
PRODUCT CODE:

5674B003-6103 Essential

5674B003-6104 Comfort

PRODUCT DESCRIPTION:

V-care WC (including toilet seat)



HOW DO YOU INSTALL A V-CARE WC?

To install a V-care WC you need additional water and electrical connections but the WC is designed to conceal these connections so they are not visible.

Installation should take the same time as a conventional wall-hung WC but additional checks and testing will be required once installed.

CAN I INSTALL V-CARE IN PLACE OF AN EXISTING WC?

You can replace your conventional WC with V-care but you will need additional electrical and water connections. VitrA offer a range of wall-hung WC concealed frames specifically designed to make installation easy.

CAN I INSTALL V-CARE INTO FITTED FURNITURE?

Yes, V-care can be installed with fitted furniture as long as a suitable frame is used.

HOW DO YOU TEST THE NOZZLE DURING INSTALLATION?

During installation you can activate the nozzle by simultaneously pressing the rear and front washing buttons for three seconds either on the remote or with the buttons on the side of the WC.

HOW MUCH WATER IS USED PER FLUSH?

V-care WC pan uses 3/6 litres of water per flush.

SAFETY

HOW SAFE IS THE V-CARE IN REGARDS TO ELECTRICAL AND WATER USE?

V-care is very safe to use, there is no danger of electrical parts coming into contact with water as it is insulated to IPX4 standards. Electronic circuits are insulated to IP67 standards.

WHAT SAFETY STANDARDS DOES V-CARE CONFORM TO?

V-care conforms to the following global and European standards: BS EN1717, BS EN13079, CE, DVGW, KIWA, ETA, SINTEF, SITAC, W270 and KTW.

HOW MUCH WEIGHT CAN THE V-CARE WC CARRY?

max. 400kg (880lbs)

WHAT IS V-CARE MADE OF?

WC: vitreous china

Nozzle: stainless steel

Remote control: ABS

Seat, seat cover and base unit: thermal plastic

USAGE

CAN I STILL USE THE V-CARE WC IF THERE IS NO POWER?

During a power cut you can still use the V-care WC like a conventional WC, activating the flush via the flush plate and manually opening and closing the seat.

WHAT HAPPENS IF THE ELECTRICITY GOES OUT DURING USE?

If the electricity supply fails during use, water streaming, heating, air purification and the auto open/close seat will stop immediately. If the nozzle is in use it will remain in the same position but the water will stop. Once the electricity is restored you will need to press the stop button to reset the nozzle.

CAN I OPEN AND CLOSE THE SEAT MANUALLY?

Yes, you can either open or close the seat manually or via the remote control (Comfort model only).

DO I HAVE TO USE THE REMOTE CONTROL?

You can access basic functions from the side of the WC such as front and rear cleaning but the remote control enables you to fully utilise all of the features of V-care for optimum comfort.

WILL V-CARE WORK IF NO ONE IS SITTING ON IT?

Except for the open/close mechanism no other functions of the V-care will work unless someone is sitting on the WC.

HOW LONG DOES EACH FUNCTION LAST PER USE?

The rear and front cleansing function lasts for approximately 40 seconds. The drying function (Comfort model only) lasts for approximately 3 minutes. Depending on user preference, all functions can be stopped at any time by pressing the stop button on the remote control (or on the left hand side of the WC) or by simply leaving the seat.

WHAT TYPE OF BATTERY DOES THE REMOTE CONTROL REQUIRE?

Three AAA batteries. With average use, new batteries should last approximately six months.

IS V-CARE SUITABLE FOR EVERYONE?

The V-care WC is suitable for both sexes and is especially beneficial for pregnant women, those less able or people who suffer from intimate skin irritations.

CARE AND MAINTENANCE

IS THE V-CARE WC DIFFICULT TO CLEAN?

V-care is easier to clean than a conventional WC as it has a rimless pan (Rim-ex). V-care is also wall-hung making it easy to clean underneath.

WHAT SHOULD I USE TO CLEAN V-CARE?

We recommend using conventional scratch free, non-corrosive cleaning detergents to clean the WC and soft cleaning wipes or a cloth to clean the seat.

CAN I REMOVE THE NOZZLE?

The tip of the nozzle can be removed and cleaned if desired but the nozzle is automatically cleaned before and after every use.

WHEN SHOULD I CHANGE THE AIR PURIFYING FILTER?

The filter is designed to be detachable so you can replace it and prevent dust accumulating. We recommend you change the filter every two years.

WHAT HAPPENS IF IT MALFUNCTIONS DURING USE?

If a problem occurs during use press the stop button on the side panel. If the problem still persists press the main on/off button.

IS THE WC SEAT REMOVABLE?

You can remove the seat cover but the V-care seat is fixed onto the WC.

WHAT IF THE REMOTE CONTROL DOESN'T WORK OR I DROP IT INTO WATER?

Remove batteries, dry the remote control with a towel or similar. Place the remote control in a cup filled with dry rice (to absorb humidity), after two hours replace the batteries. If this does not solve the problem please contact the retailer where you bought the item and they can arrange for a replacement remote control to be provided.

SETTINGS

FEATURE	SETTINGS					VARIANCE	
	OFF	1	2	3	4		5
SEAT TEMPERATURE	-	32°C	34°C	36°C	38°C	40°C	+/-2°C
WATER TEMPERATURE	-	32°C	34°C	36°C	38°C	40°C	+/-2°C
DRYER TEMPERATURE	-	15°C	20°C	25°C	30°C	35°C	+/-3°C
AVERAGE WATER CONSUMPTION <small>(per 40 sec)</small>	-	270ml	312ml	354ml	417ml	480ml	+/-80ml

Max/min temperatures per function:

	MIN VALUE	MAX VALUE	DEFAULT VALUE	POWER SAVER MODE
SEAT TEMPERATURE	30°C	42°C	36°C	24°C
WATER TEMPERATURE	30°C	42°C	36°C	24°C
DRYER TEMPERATURE	15°C	37°C	25°C	24°C

Vitra UK Ltd, Park 34, Collett,
Didcot, Oxon, OX11 7WB
+44 (0) 1235 750 990
info@vitra.co.uk
vitra.co.uk

Vitra

vitra.co.uk