



NSTO-6530

User Manual



6.5" 3-WAY COMPONENT SPEAKER

YOUR SPEAKER

Dear Customer,

Congratulations on purchasing our Nakamichi mobile system product for your sound system.

This product has been designed and manufactured to Nakamichi's exacting standards to ensure many years of audio enjoyment. For the best performance, we recommend that you have your Nakamichi product installed by an authorized Nakamichi dealer.

If you would like to install this product on your own, we recommend for you to go through this manual to familiarize yourself with all the installation requirements and procedures.

If you encounter any issues or if you have any questions on the operation of this product, please contact your nearest authorized Nakamichi dealer for assistance, or you may also contact us through our website or social media channels.

Installation of Your Product

In today's modern vehicles, it is very easy to cause damage to existing systems through improper installation. Please follow and scrutinize all wiring diagrams to ensure that you have connected everything in its proper place.

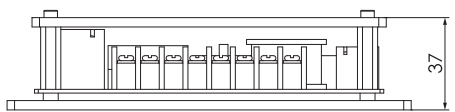
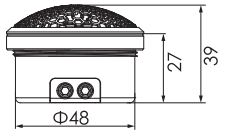
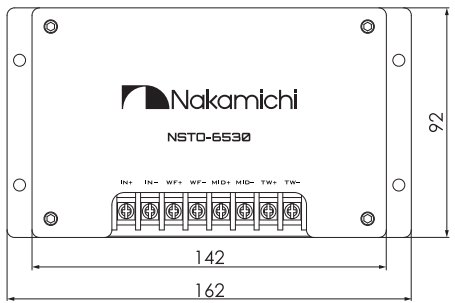
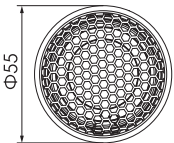
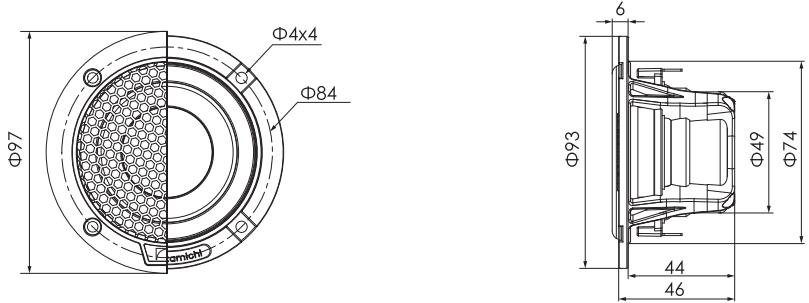
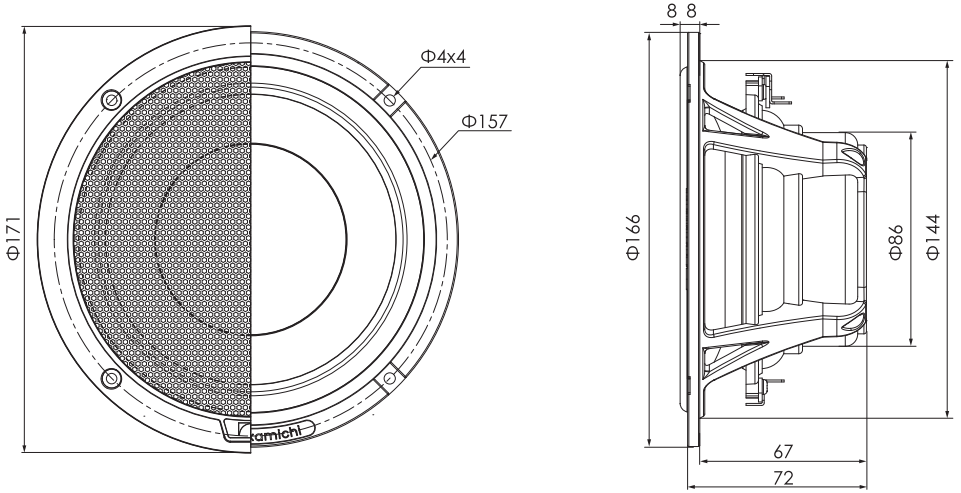
If you find yourself uncomfortable or unfamiliar with understanding the wiring and installation diagrams or testing instructions, do contact your nearest Nakamichi dealer to perform the installation for you.

Safety Warnings and Considerations

- Clean only with a dry cloth or other similar materials.
- Install your product in a dry, well-ventilated location that does not interfere with your vehicle's safety equipment.
- Do not block any ventilation openings when installing this product.
- Do not mount the product in the engine compartment of your vehicle or in any areas of extreme heat such as mufflers, silencers, exhaust pipes or other heat producing apparatus.

- Securely mount the product so that it does not come loose in the event of a collision or as a result of repeated vibrations that might occur during normal operation.
- Installation of the apparatus must be done with great care to prevent damage to your vehicle's fuel lines, power, and other electrical wiring, hydraulic brake lines, and other systems. If possible, always visit your nearest Nakamichi dealer to perform the installation.
- Do not run any wiring outside or underneath the vehicle. Keep all wires inside the vehicle.
- Protect all system wires from sharp edges by carefully routing them, always use rubber grommets to protect wiring and cables whenever you are installing them through metal openings.
- Secure all wiring using cable ties or wire clamps to protect them from moving parts and sharp edges.
- This apparatus shall not be exposed to dripping or splashing, and no object filled with liquids, shall be placed on the apparatus.
- Refer all servicing to qualified service personnel. Servicing is required when the apparatus has been damaged in any way, such as the power input terminals are damaged, liquid has been spilled or objects have fallen into the apparatus, the apparatus has been exposed to rain or moisture, does not operate normally, or has been dropped.
- Exposure to high sound pressure levels may lead to permanent hearing loss. Take every precaution to protect your hearing.

DIMENSIONS (UNIT: MM)



SPECIFICATIONS

Speaker Type:	6.5" Woofer	3" Mid-Range	28mm Tweeter
Mounting Depth:	>2.64" (67 mm)	>1.73" (44mm)	>1.06" (27 mm)
N-power:	75 watts	25 watts	15 watts
Peak Power:	500 watts	150 watts	100 watts
Sensitivity(Db/w/m):	88 ± 3 dB	86 ± 3 dB	89 ± 3 dB
Frequency Response:	50Hz - 3.5kHz	200Hz-8kHz	2kHz-20kHz
Impedance:	4 Ω	4 Ω	4 Ω
Voice Coil:	ASV Φ75mm	TIL Φ35mm	ASV Φ28mm
Magnet type:	Ferrit	Neodymium	Neodymium
Magnet Mass:	9.8+6.5 Oz (278g+184g)	0.9 Oz (25.5g)	0.4 Oz (11.3g)
Net Mass (1pc):	Approx. 1.1kg	Approx. 0.31kg	Approx. 0.13kg

WHAT'S IN THE BOX

Check and identify the contents of your package:

1. 6.5" Woofer x 2pcs
2. (Grille Net + Frame) for Woofer x 2sets
3. Mounting Screw (M4x30mm for Woofer) x 8pcs
4. 3" MID-Range x 2pcs
5. (Grille Net + Frame) for MID-Range x 2sets
6. Mounting Screw (M4x30mm for MID-Range) x 8pcs
7. Tweeter x 2pcs
8. Network x 2pcs
9. Mounting Screw (M4x30mm for Network) x 8pcs
10. 2.5mm "L" Type Wrench x 1pc
11. Installation Manual x 2pc

INSTALLATION

Mount The Woofer On Door (Front Or Rear)

You can mount the speakers on the front/rear door of your car.

- Make sure that nothing obstructs around the mounting location of the door.
- A hole for mounting may already be cut out of the inner panel of the door(front or rear).

If so, you need to modify the board only.

- Ensure that the speaker terminals, frame or magnet do not interfere with any inner parts,
- (such as the window), etc. Also ensure that the speaker grille does not touch any inner
- fittings, such as the window cranks, door handles, arm rests etc.

1. Turn off the car ignition key.
 - If the power is on, the click noise generated by the connection may damage the speakers.
2. Cut out the mounting template from the packing box.
3. Paste the template on the location selected for mounting the speaker.
4. Mark the cut-off hole and the 4 bolt holes. (Fig.1)
5. Cut out the marked area and drill the bolt holes. (Fig.2)
6. Remove the grille net. (Fig.3)
7. Connect the woofers to the network or car audio.
(See how to complete the wiring.)
8. Mount on the speaker as shown Fig.4.
9. Press and insert the edges of the grille net.

(See how to complete the wiring.)

8. Mount on the speaker as shown Fig.4.

9. Press and insert the edges of the grille net.

- The speaker grille can be mounted without the grille net, if you like.

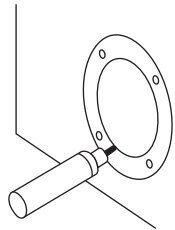


Fig.1

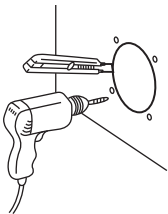


Fig.2

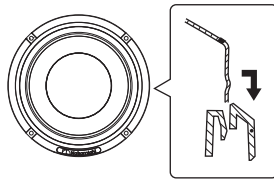


Fig.3

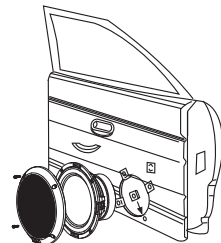
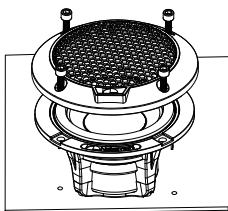


Fig.4

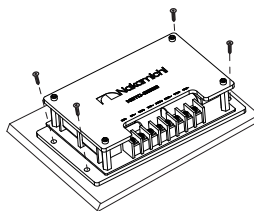
Mount Mid-range, Tweeter And Network

Follow steps mentioned in "Mount The Woofer" section to mount mid-range,tweeter and network.

Find a proper location to mount them. Mount them onto the car with the supplied screws.

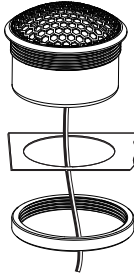


Mid-Range

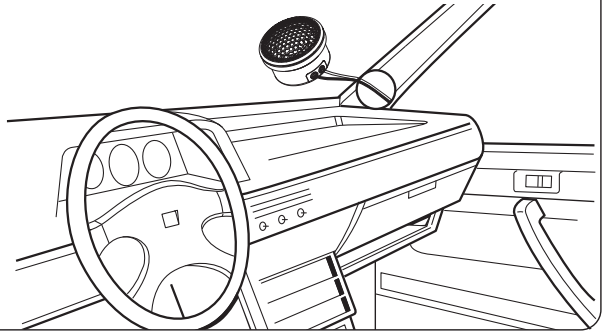


Network

Mount the Tweeter



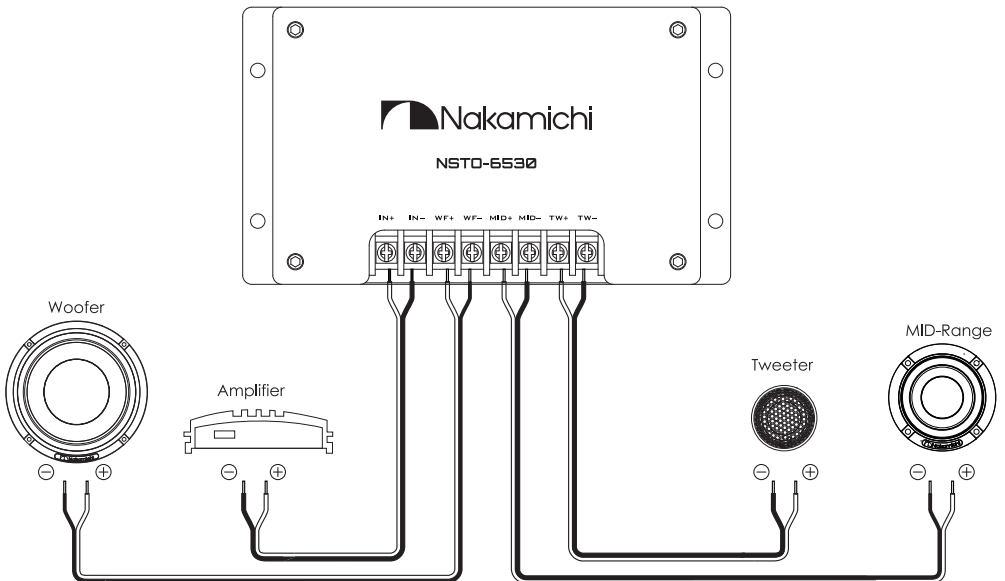
Option 1:
Flush mounting



HOW TO COMPLETE THE WIRING.

Connect the woofers, mid-range and the tweeters to the 3-way crossover network first, then connect the network to your amplifier or car audio directly.

- Consult the diagram below. Be sure to connect corresponding terminals, i.e. "+" to "+" and "-" to "-". Connection with reversed polarity will degrade the quality of production.
- Connect the provided speaker cord to the speaker terminal while holding the lower portion of the speaker terminal.





CONNECT WITH US ONLINE TO EXPLORE NAKAMICHI'S COMPLETE RANGE,
INSTRUCTIONS & SOFTWARE DOWNLOADS AND WARRANTY REGISTRATION.

WWW.NAKAMICHICARAUDIO.COM

 [nakamichi.global](https://www.facebook.com/nakamichi.global)

 [nakamichi.caraudio](https://www.instagram.com/nakamichi.caraudio)

Nakamichi Corp, Japan

Made in China | 中國製造