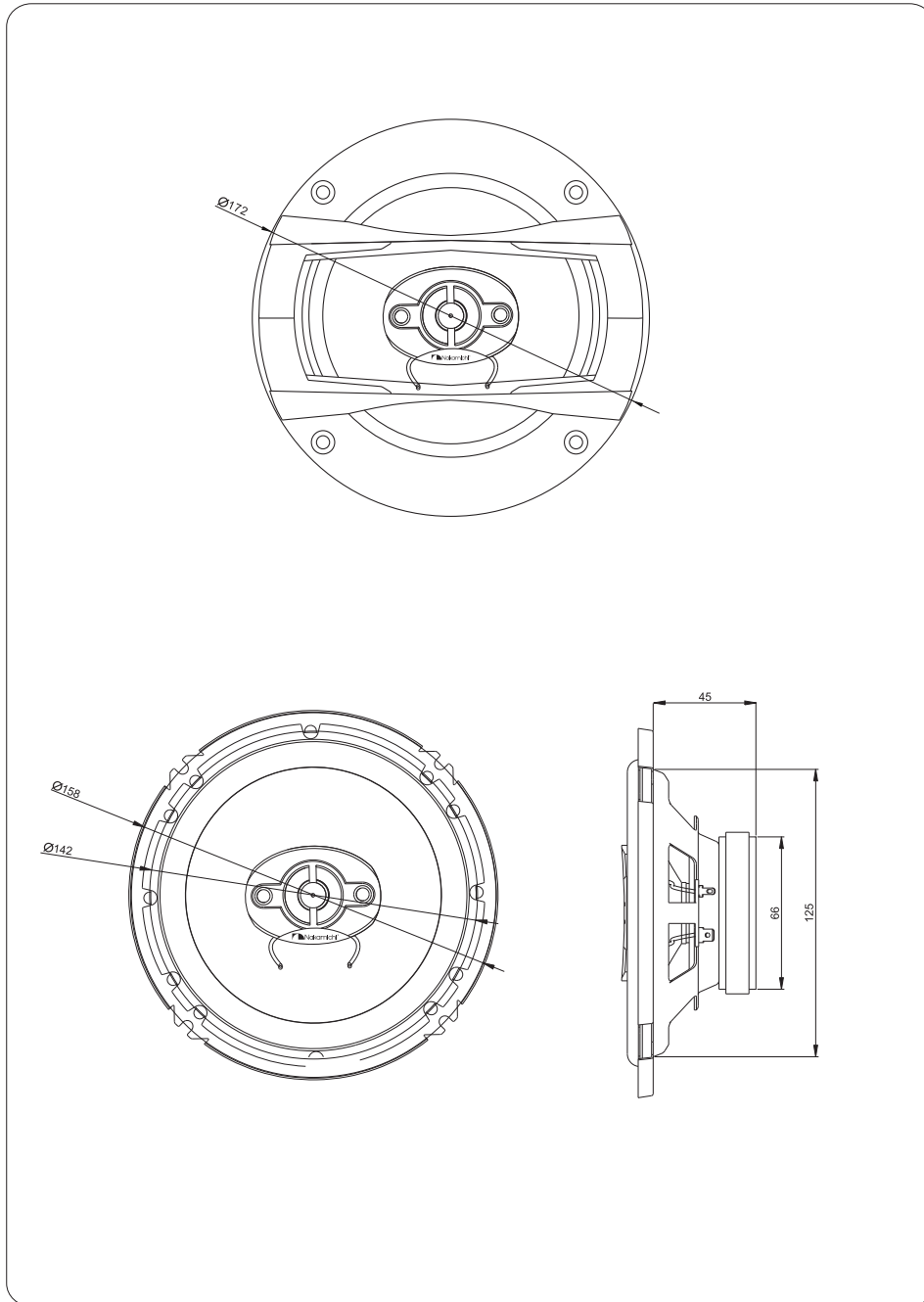


## Dimensions (Unit: mm)



**Nakamichi**<sup>®</sup>

www.nakamichicaraudio.com

# NSE-1617

## PURE SOUND - COAXIAL SPEAKER



Thank you for purchasing the coaxial speakers. For the secure installation and perfect operation of your speaker, please read and understand all instructions before you use the apparatus.

### Product information

Speaker type:	6"(15.8cm) 4-way
Mounting depth:	>1.8"(45mm)
N-power:	20 watts
Peak power:	400 watts
Sensitivity(dB/W/m):	86±3dB
Frequency response:	85-20k Hz
Impedance:	4 ohms
Voice coil:	ASV 25.5mm
Magnet mass:	5.15 Oz(146g)
Net mass:	Approx.1kg

## Important

Read and understand all instructions before you use the apparatus. If damage is caused by failure to follow instructions, the warranty does not apply.

Use only the supplied mounting hardware for a safe and secure installation.

Do not continuously use the speaker system beyond the peak power handling capacity.

Keep credit cards, watches, recorded tapes etc. with magnetic coding away from the speaker system to prevent damage caused by the magnets in the speakers.

Clean the apparatus with soft, damp cloth. Never use substances such as alcohol, chemicals or household cleaners on the apparatus.

## What's in the box

Check and identify the contents of your package:

1. Installation manual(x1pc);
2. Speaker(x2prs);
3. Frame(x2prs);
4. Screw(x16pcs)( $\varnothing 4 \times 20\text{mm}$  for NSE-1617);

## Installation

### Option 1: Mount on door (front or rear)

You can mount the speakers on the front/rear door of your car.

- ★ Make sure that nothing obstructs around the mounting location of the door.
- ★ A hole for mounting may already be cut out of the inner panel of the door(front or rear). In this case, you need to modify the board only.
- ★ Ensure that the speaker terminals, frame or magnet do not interfere with any inner parts, such as the window), etc. Also ensure that the speaker grille does not touch any inner fittings, such as the window cranks, door handles, arm rests etc.

1. Turn off the car ignition key.

- ★ If the power is on, the click noise generated by the connection may damage the speakers.

2. Cut out the mounting template from the packing box.
3. Paste the template on the location selected for mounting the speaker.
4. Mark the cut-off hole and the 4 bolt holes. (Fig.1)
5. Cut out the marked area and drill the bolt holes. (Fig.2)

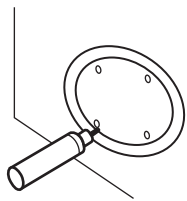


Fig.1

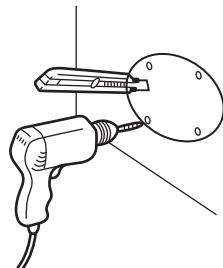
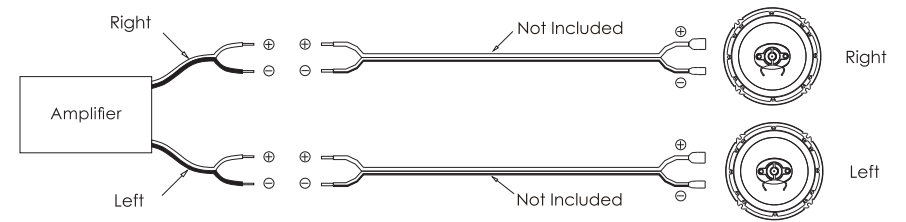


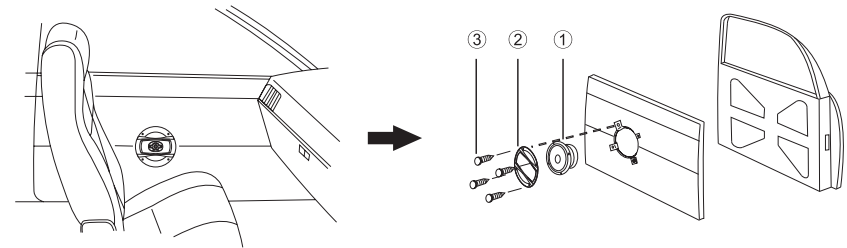
Fig.2

7. Strip the speaker wires and connect them to the amplifier.

- ★ Consult the diagram below. Be sure to connect corresponding terminals, i.e. "+" to "+" and "-" to "-". Connection with reversed polarity will degrade the quality of production.
- ★ Connect the provided speaker cord to the speaker terminal while holding the lower portion of the speaker terminal.



8. Mount on the speaker as shown below.



9. Press and insert the edges of the frame.

- ★ The speaker grille can be mounted without the grille net, if you like.

### Option 2: Mount on rear tray

You can also mount the speakers into the surface of the rear tray.

Follow the steps in section "Option 1: Mount on door" to mount the speakers into the rear tray.

