

 Nakamichi®

**NQ722BD**  
User Manual



## DIGITAL MEDIA RECEIVER

# DEAR CUSTOMER

---

## Dear Customer,

Congratulations on purchasing our Nakamichi mobile system product for your sound system.

This product has been designed and manufactured to Nakamichi's exacting standards to ensure many years of audio enjoyment. For the best performance, we recommend that you have your Nakamichi product installed by an authorized Nakamichi dealer.

If you would like to install this product on your own, we recommend for you to go through this manual to familiarize yourself with all the installation requirements and procedures.

If you encounter any issues or if you have any questions on the operation of this product, please contact your nearest authorized Nakamichi dealer for assistance, or you may also contact us through our website or social media channels.

## Installation of your Product

In today's modern vehicles, it is very easy to cause damage to existing systems through improper installation. Please follow and scrutinize all wiring diagrams to ensure that you have connected everything in its proper place.

If you find yourself uncomfortable or unfamiliar with understanding the wiring and installation diagrams or testing instructions, do contact your nearest Nakamichi dealer to perform the installation for you.

## Safety Warnings and Considerations (for Amplifier / DSP / Active Woofer)

- Clean only with a dry cloth or other similar materials.
- Install your product in a dry, well-ventilated location that does not interfere with your vehicle's safety equipment.
- Do not block any ventilation openings when installing this product.
- Do not mount the product in the engine compartment of your vehicle or in any areas of extreme heat such as mufflers, silencers, exhaust pipes or other heat producing apparatus.
- Securely mount the product so that it does not come loose in the event of a collision or as a result of repeated vibrations that might occur during normal operation.
- Installation of the apparatus must be done with great care to prevent damage to your vehicle's fuel lines, power, and other electrical wiring, hydraulic brake lines, and other systems. If possible always visit your nearest Nakamichi dealer to perform the installation.

# DEAR CUSTOMER

---

- Do not run any wiring outside or underneath the vehicle. Keep all wires inside the vehicle.
- Take the necessary precautions when making connections to the vehicle's battery to avoid any potential shock.
- Protect all system wires from sharp edges by carefully routing them, always use rubber grommets to protect wiring and cables whenever you are installing them through metal openings.
- Secure all wiring using cable ties or wire clamps to protect them from moving parts and sharp edges.
- This apparatus shall not be exposed to dripping or splashing, and no object filled with liquids, shall be placed on the apparatus.
- Refer all servicing to qualified service personnel. Servicing is required when the apparatus has been damaged in any way, such as the power input terminals are damaged, liquid has been spilled or objects have fallen into the apparatus, the apparatus has been exposed to rain or moisture, does not operate normally, or has been dropped.
- Fuses shall be replaced only with the correct type and fuse value, + and only when the apparatus is powered off.
- Exposure to high sound pressure levels may lead to permanent hearing loss. Take every precaution to protect your hearing.
- This product is designed specifically for use with 12 volt, negative-ground electrical systems only. Using this product in systems with positive ground and/or voltages other than 12V may result in damage to the product and your system.

## Warranty Considerations

Nakamichi warrants this product to be free of defects in materials and workmanship for a **period stated by your country's authorized Nakamichi distributor**. This warranty is not transferable and applies only to the original owner who has purchased from an authorized Nakamichi dealer.

Should service be necessary under this warranty for any reason due to manufacturing defect or malfunction, Nakamichi will (at its discretion), repair or replace the defective product with new or remanufactured product at no charge. Damage caused by the following is not covered under warranty: accident, misuse, abuse, product modification or neglect, failure to follow installation instructions, unauthorized repair attempts, misrepresentations by the seller.

This warranty does not cover incidental or consequential damages and does not cover the cost of removing or reinstalling the unit(s). Cosmetic damage due to accident or normal wear and tear is not covered under warranty.

Warranty is void if the product's serial number has been removed or defaced.

# DEAR CUSTOMER

---

CONTENTS	
INTRODUCTION.....	1 EN
ACCESSORY LIST.....	1 EN
DIMENSIONS.....	1 EN
OVERVIEW OF THE COMPONENTS.....	2 EN
Remove Panel	
Remote Control	
GENERAL OPERATION.....	3-6 EN
Power On/Off	
Removing the Front Panel	
Volume Up and down	
Mute on/off	
Changing the Modes	
Function	
Audio mode	
SW level	
Manual EQ	
RADIO OPERATION.....	7 EN
Switch Between Europe/USA/Asian/Russian Frequency	
Change Bands	
To Store / Recall Preset Stations	
Manual Tuning	
Seek Tuning	
Automatic Store Preset Station	
USB OPERATION.....	8 EN
To Insert USB	
Select Next Track or Previous Track	
Faste Forward/Reverse	
Play/Pause	
Introduction Scan	
Repeating the track	
Playing All Tracks in Random	
Folder/Track Navigation	
BLUETOOTH OPERATION.....	9-10 EN
Pair and Connect	
Make a Call	
Redial Last Dialed Number	
Answer a Call	
Reject a Call or End a Call	
Switch Audio Between Car audio and Mobile Phone	
Adjust Talk Volume	
Audio Streaming (A2DP)	
APP OPERATION.....	10 EN
SPECIFICATIONS.....	11 EN



# INTRODUCTION

---

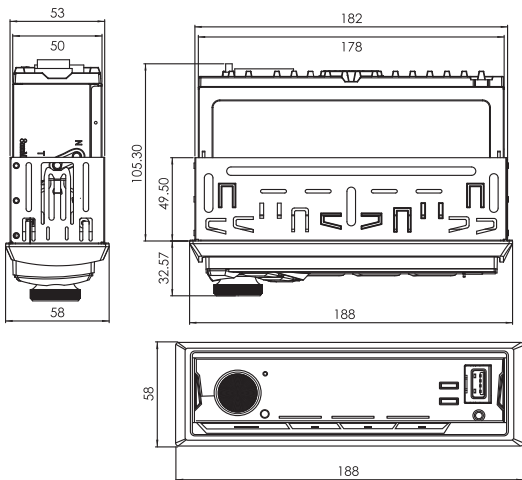
## ACCESSORY LIST

---

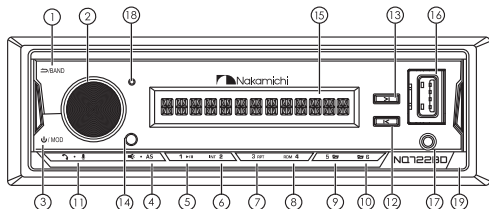
1. User Manual	1pc
2. Bluetooth/USB Receiver	1pc
3. ISO Male Connector	2pcs
4. Disassemble Tool	2pcs
5. Remote Control	1pc

---

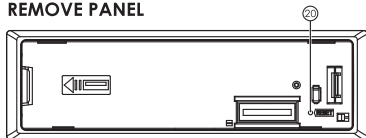
## Dimensions(Unit: mm)



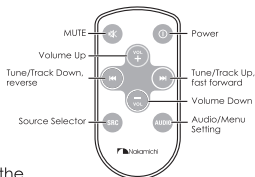
# OVERVIEW OF THE COMPONENTS



## REMOVE PANEL



## REMOTE CONTROL



1. Back to the previous configuration point Press  $\Rightarrow$  the pulse function/**BAND** (band) button
2. **SEL** (select/menu) button and **VOL** (volume) knob
3.  $\Psi$  (Power)/**Mode**(source) button
4.  $\times$  In power on mode, press the **MUTE** button to toggle mute ON or OFF.  
**AS** (automatic storage/preset station search, automatic search)
5.  $\blacktriangleright$ **II** (pause/start), Button 1 preset station
6. **INT** (intro), Station preset button 2
7. **RPT** (repeat), button 3 preset
8. **RDM** (random), button 4 preset
9. **-10** (10 following songs), preset station 5 button
10. **+10** (10 following songs), preset button 6 station
11.  $\hookrightarrow$   $\bullet$  Phone button
12. **K<<** (tune back, search back, crawl back, fast reverse)
13. **K>>** (tune forward, search forward, crawl forward, fast forward)
14. **IR** remote control sensor
15. **LCD** screen
16. **USB** port
17. **AUX IN** (auxiliary input)
18. **MIC** hole (integrated microphone)
19. **Release** front panel
20. **RESET**

# GENERAL OPERATION

---

## Power on/off

- Press the any button to turn the unit on.
- Press and hold the /MODE button to turn the unit off.

## Removing the Front Panel

Press the **RELEASE** button to detach the front panel.


## Volume Up and down

Rotate the **Volume** knob to adjust the volume level.

## Mute on/off

Briefly press the  button to toggle mute on or off.

## Changing the Modes

Press the /MODE to select between Radio, USB(with USB device inserted), AUX-IN(auxiliary input) and BT(Bluetooth) modes.

## FUNCTION

Press the Volume knob and Rotate to select Audio/Display/Tuner/Clock /Beep/Animation/Demo mode function. Press the Volume knob again to Select desire function mode.

## AUDIO MODE

- Press the Volume knob and Rotate to select SW Level/Manual EQ/Q factor/Preset EQ/Bass boost/Loudness/Subwoofer set/Fader/Balance/ X'Over/DTA Setting/Car type.
- Long Press Volume knob to select 2 way/3 way X'Over mode.

## SW LEVEL

- Press the Volume knob and Rotate to select -13 ~ +13 level.

## MANUAL EQ

- Press the Volume knob and Rotate to select 25 band frequencies level.

## Q FACTOR

- Press the Volume knob and Rotate to select 1/1.5/2.5/3.5 different Q factor value.

# GENERAL OPERATION

---

## **PRESET EQ**

- Press the Volume knob and Rotate to select user/Natural/Rock/Pop/Easy/Top 40/Jazz/Powerful.

## **BASS BOOST**

- Press the Volume knob and Rotate to select Bass boost level.

## **LOUDNESS**

- Press the Volume knob and Rotate to select Loudness level.

## **SUBWOOFER SET**

- Press the Volume knob and Rotate to Switch ON/OFF.

## **FADER**

- Press the Volume knob and Rotate to select Fader position.

## **BALANCE**

- Press the Volume knob and Rotate to select Balance position.

## **X'OVER**

- Press the Volume knob and Rotate to select Tweeter/Front HPF/Rear HPF/Subwoofer LPF.

## **TWEETER**

- Press the Volume knob and Rotate to select Frequency/Gain left/Gain right.

## **FRONT HPF**

- Press the Volume knob and Rotate to select Frequency/Gain.

## **REAR HPF**

- Press the Volume knob and Rotate to select Frequency/Gain.

## **SUBWOOFER LPF**

- Press the Volume knob and Rotate to select Frequency/Gain/Phase.

# GENERAL OPERATION

---

## **DTA SETTINT**

- Press the Volume knob and Rotate to select Position/Distance/Gain/Data Reset/Delay Unit.

## **CAR TYPE**

- Press the Volume knob and Rotate to select Small/Medium/Large car type.

## **DISPLAY**

- Press the Volume knob and Rotate to select Color Select/Spectrum/ID3 tag/Version.

## **COLOR SELECT**

- Press the Volume knob and Rotate to select custom R/G/B/Variable Scan/Red/Pink/Purple/Blue/Cyan/Green/Yellow/Orange.

## **SPECTRUM**

- Press the Volume knob and Rotate to switch ON/OFF.

## **ID3 TAG**

- Press the Volume knob and Rotate to switch ON/OFF.

## **VERSION**

- Press the Volume button to check software version.

## **TUNER**

- Press the Volume button to select Local Seek/Mono Set/Regional/RDS Set.

## **LOCAL SEEK**

- Press the Volume button to rotate switch ON/OFF.

## **MONO SET**

- Press the Volume button to rotate switch ON/OFF.

## **REGIONAL**

- Press the Volume button to rotate to select country regions.

# GENERAL OPERATION

---

## RDS SET

- Press the Volume button to rotate switch ON/OFF.

## CLOCK

- Press the Volume knob and Rotate to select Clock Format/Clock adjust/Date Format/Date Set.

## BEEP

- Press the Volume button to rotate switch ON/OFF.

## ANIMATION

- Press the Volume knob and Rotate to select ON/OFF and time interval of animation time.

## DEMO MODE

- Press the Volume button to rotate switch ON/OFF.

## Display

- With the unit on, press and hold **DISP** to display clock time.
- Press and hold **DISP** to toggle display between various displayed information.

## Auxiliary Input Jack

Using a 3.5mm cable to connect a external device such as MP3 players, CD players etc. to the auxiliary input jack on front panel. Then you can hear the sound of other playback devices such as MP3 players, CD players etc. through your car speakers.

## Reset

Push the **RESET** button (behind the front panel) with a thin object with a pointed end to reset the unit over 6 second back to the factory default settings.

# RADIO OPERATION

## Switch Between Europe /USA/Asian/Russian Frequency

In radio mode, press the **Volume** button momentarily to choose the "AREA EU/US/AS/RU" item, then rotate it to switch between EU(europe),US(USA), AS(Asian), RU(Russian) frequency. The system will change the frequency setting in about 3 seconds.

## Change Bands

In radio mode, shortly press the **BND/DISP** to select between the FM1, FM2, FM3(F3) and AM1(MW1), AM2(MW2) bands.

## To Store / Recall Preset Stations

The radio can be stored 6 preset stations for each band (FM1, FM2, FM3, AM1 and AM2) for a total of 30 preset stations.

- To memorize a station:

Press and hold the desired preset buttons (1-6) to save a radio station.

- To recall a preset station:

Briefly press the respective station button (1-6) to recall the corresponding preset station.

## Manual Tuning

In the radio mode:


Press and hold the **>>|** or **|<<<** button to enter the manual tuning mode, then briefly press the **>>|** or **|<<<** button to search the next or previous frequency step by step. Press and hold **>>|** or **|<<<** to advance quickly.

## Seek Tuning

In radio mode, briefly press the **>>|** or **|<<<** to seek to previous or next strong station.

## Automatic Store Preset Station

Press and hold **AS** for more than 2 seconds to store 18 FM stations and 12 AM(MW) stations automatically.

Item	Selectable Setting
RDS On/Off	Shortly press the Volume button to choose the 'AREA EU' Station. The system will change to the frequency setting within 3 seconds.
PTY  (Program type)	Once into the PTY mode, press the <b>OK</b> get into program type item, and rotating encoder/volume knob to selected category. <b>Available Program Type:</b> POP M; ROCK M; EASY M; LIGHT M; CLASSICS; OTHER M; JAZZ M; COUNTRY; NATION M; OLDIES M; FOLK M; A-TEST; ALARM; NEWS; AFFAIRS; INFO; SPORT; EDUCATE; DRAMA; CULTURE; SCIENCE; VARIED; WEATHER; FINANCE; CHILDREN; SOCIAL; RELIGION; PHONE IN; TRAVEL; LEISURE; DOCUMENT
AF (Alternate Frequencies)	<b>ON:</b> The unit will be searches for another station with stronger signal, but with the same program identification as the current station automatically. <b>OFF:</b> Cancel
TA (Traffic Announcement)	<b>ON:</b> When there is traffic announcement, the unit switches to the tuner mode (regardless of the current mode) and begins to broadcast the announcement on traffic conditions. When the traffic announcement is over, it returns to the previous mode. <b>OFF:</b> Traffic announcement does not cut in.

# USB OPERATION

---

If you would like to playback files contained in a USB stick, please insert the stick into the USB port. The MP3/WMA and other music files will be played automatically.

Note: The USB port of this car radio is also designed for charging for iPhone/andriod mobile phone. The charging current consumption is 1 ampere.

## Select Next Track or Previous Track

In the USB mode, briefly press the **>>|** or **|<<<** button to play the next or previous track.

## Faste Forward/Reverse

Press and hold the **>>|** or **|<<<** button to fast forward or reverse a track.

## Play / Pause

Press the **▶/||** button to interrupt the playback of a music (pause function). Press this button again to continue the playback.

## Introduction Scan

Press **INT** to plays first 10 seconds of each track.

Press again to cancel the INT function.

- INT ON - Plays the first 10 seconds of each track.
- INT OFF - Cancels the INT function.

## Repeating the track

Press **RPT** to toggle between RPT FLD, RPT ALL, and RPT ONE.

- RPT FLD - Continuously repeats all files in current folder.
- RPT ALL - Plays all tracks on USB device.
- RPT ONE - Continuously repeats selected track.

## Playing all tracks in random

Press **RDM** to play songs in random order, press again to cancel the RDM function.

- RDM ON - Plays all tracks in random order.
- RDM OFF - Cancels the RDM function.

## Folder/Track Navigation

• Press the **⏪** or **⏩** button to select the previous or the next folder. Folder access is only available on devices with more than one folder.

• Press and hold the **⏪** or **⏩** buttons to jump 10 tracks backward or forward. It is required that over 10 tracks be available on the storage medium



# BLUETOOTH OPERATION

---

## Pair and Connect

Before using the Bluetooth device as a handsfree system for a Bluetooth enabled mobile phone for the first time, you must pair and connect the two devices as follows:

1. In any mode, prior to pairing and connecting, the BT logo on the LCD indicating that no device is connected. The head unit broadcasts the pairing signal constantly when no devices are connected. Activate the Bluetooth on your device before beginning the pairing process.
2. When your phone finds the car audio system, the "NAKAMICHI" name will be displayed on your phone screen.
3. Choose the "NAKAMICHI" from your mobile phone list to pair and connect with the car audio system. Upon confirming, the BT logo will stop flashing.
4. When pairing is complete, the mobile phone audio will automatically transfer to the car audio system whenever a call is made or received, or when the mobile phone plays music.

## Note:

For more details of bluetooth pairing, please refer to the owner's manual for your mobile phone.

## Make a Call


- To make a call, dial the call directly from the paired mobile phone.

## Redial Last Dialed Number

Press and hold the  button to redial the last dialed phone number.

Press the  button to activate SIRI function.


## Answer a Call

- When the mobile phone is called, the incoming telephone number displays on the LCD display, press the  button to answer the incoming call.

## Reject or End a Call

Press the  button to reject, press and hold the  to end the call.

## Switch Audio Between Car Audio and mobile Phone

During a call, press the  button to switch the audio source from the car audio system back to your mobile phone.

# BLUETOOTH OPERATION

---

## Adjust Call Volume

- During a call, use **Volume** knob or **VOL+ / VOL-** button to adjust the call volume level.
- Use the **MUTE** button to mute sound.

## Audio Streaming (A2DP)

The head unit supports A2DP wireless streaming audio from a Bluetooth mobile device directly to your head unit.

The following functions can be used to control the music:

- Press the **>>|** button to skip to the next available audio track.
- Press the **|<<** button to skip to the previous audio track.
- Press the **▶/||** button to toggle between play and pause during music playback.

## APP OPERATION

Using the application from NAKAMICHI, you can wireless remote control the car audio of NQ722BD head unit with Apple & Android devices.

Please go to the APPLE APP Store or Google Play Store and search NAKAMICHI app, after downloading the APP, install it on your Apple & Android devices.



Connect your smartphone to NQ722BD through bluetooth, then tap the APP and turn on it on your smartphone.

Now you can control the audio of NQ722BD head unit by your smartphone.

# SPECIFICATIONS

---

## General

Power supply Requirement :	DC 12V
Maximum power output :	50W X 4CH
Speaker impedance :	4 - 8 Ohm
Unit Dimensions(WxHxD) :	178 X 108 X 50 mm
Weight:	0.5 kg
Fuse :	10 A

## RADIO

### FM

Frequency Range:	87.5 MHz - 107.9 MHz (USA) 87.5 MHz - 108.0MHz (EUROPE)
Channel step:	200 KHz(USA) 50 KHz(EUROPE)

### AM

Frequency Range:	530 KHz - 1710 KHz (USA) 522-1620 KHz(EUROPE)
Channel step:	10 KHz(USA) 9 KHz(EUROPE)

## USB

Usable Audio Formats:	MP3/WMA
USB Port Type:	2.0
USB Charging:	5V/1A
Frequency Response:	20 Hz - 20KHz
S/N Ratio:	60dB

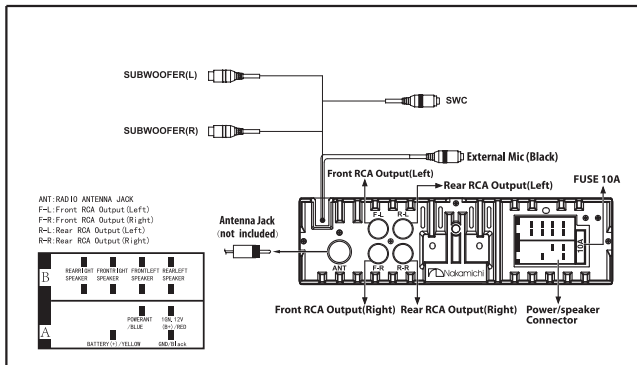
## BT

BT Profile supports:	A2DP, AVRCP, HFP
Range of frequency:	2.4GHz spectrum

## FCC WARNING

This device complies with Part 15 of the FCC Rules. Operation is subject to the following two conditions: (1) this device may not cause harmful interference, and (2) this device must accept any interference received, including interference that may cause undesired operation.

# WIRING DIAGRAM



	Color	Function
<b>A</b>	Red	Ignition Line
	Black	Earth wire
	Blue	ANT automatic
	Yellow	Power supply
<b>B</b>	Green Green/Black	Rear left horn(+) Rear left horn(-)
	White White/Black	Front left horn(+) Front left horn(-)
	Gray Grey/Black	Front right horn(+) Front right horn(-)
	Violet Purple/Black	Rear right horn(+) Rear right horn(-)

# FCC WARNING

---

**This device complies with Part 15 of the FCC Rules. Operation is subject to the following two conditions:**

- (1) this device may not cause harmful interference,
- (2) this device must accept any interference received, including interference that may cause undesired operation.

**Caution:**

The user is cautioned that changes or modifications not expressly approved by the party responsible for compliance could void the user's authority to operate the equipment.

**Note:**

This equipment has been tested and found to comply with the limits for a Class B digital device, pursuant to part 15 of the FCC Rules. These limits are designed to provide reasonable protection against harmful interference in a residential installation. This equipment generates uses and can radiate radio frequency energy and, if not installed and used in accordance with the instructions, may cause harmful interference to radio communications. However, there is no guarantee that interference will not occur in a particular installation. If this equipment does cause harmful interference to radio or television reception, which can be determined by turning the equipment off and on, the user is encouraged to try to correct the interference by one or more of the following measures:

- Reorient or relocate the receiving antenna.
- Increase the separation between the equipment and receiver.
- Connect the equipment into an outlet on a circuit different from that to which the receiver is connected.
- Consult the dealer or an experienced radio/TV technician for help.

## CONNECT WITH US

 [nakamichicaraudio.com](https://nakamichicaraudio.com)

 [Nakamichi.Global](https://www.facebook.com/Nakamichi.Global)

 [nakamichi.caraudio](https://www.instagram.com/nakamichi.caraudio)

Made in China