



NMSP-E8057 User Manual



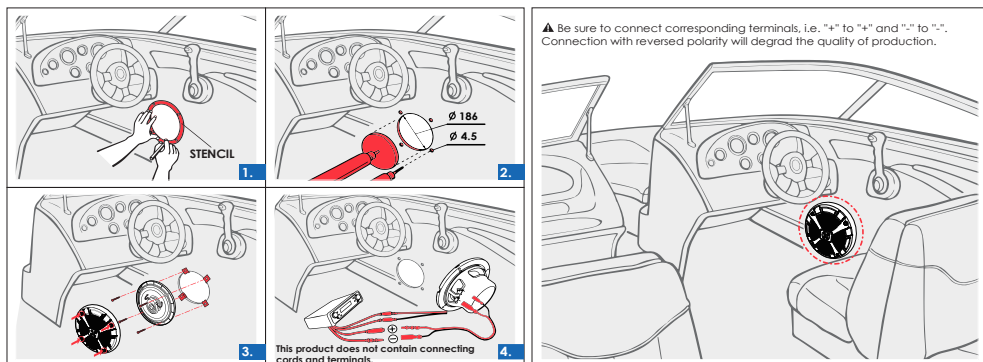
8" 2-WAY MARINE SPEAKER

THANKS

Thank you for your purchase and welcome to the world of Nakamichi! Please keep your original proof of purchase or invoice in a safe place in case of any warranty claims. Do also mail or register your warranty with the official Nakamichi service centers and/or agents to ensure that you are provided with the relevant technical support if required.

IMPORTANT

- Read and understand all instructions before you use the apparatus. If damage is caused by failure to follow instructions, the warranty does not apply.
- Use only the supplied mounting hardware for a a safe and secure installation.
- Do not continuously use the speaker system beyond the peak power handling capacity.
- Keep credit cards, watches, recorded tapes etc. with magnetic coding away from the speaker system to prevent damage caused by the magnets in the speakers.
- Clean the apparatus with soft, damp cloth. Never use substances such as alcohol, chemicals or household cleaners on the apparatus.



● BE SURE TO READ THIS INSTRUCTION MANUAL BEFORE INSTALLING THIS SPEAKER.

SPECIFICATIONS

Speaker type:	8 " (20.3cm) 2-way
Mounting depth:	>7.2"(83mm)
N-power:	40 watts
Max power:	400 watts
Sensitivity(dB/W/m):	91 ±3dB
Frequency response:	72-20k Hz
Impedance:	4 ohms
Voice coil:	KSV 30.5mm
Magnet mass:	30 Oz(850g)
Net mass(1pc):	Approx.1.9 kg

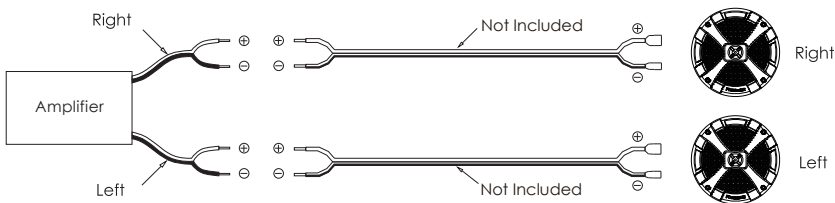
WHAT'S IN THE BOX

- ① Speaker x 1pr
- ② User Manual x 1pc
- ③ 4x25mm Screw x4pcs
- ④ 4x35mm Screw x4pcs

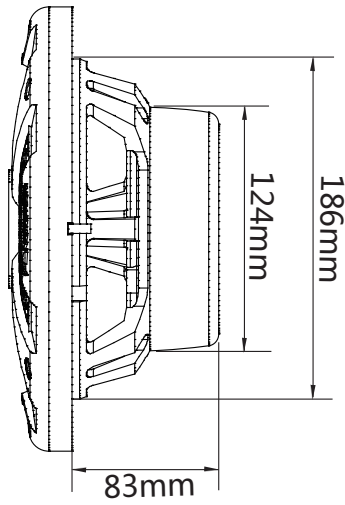
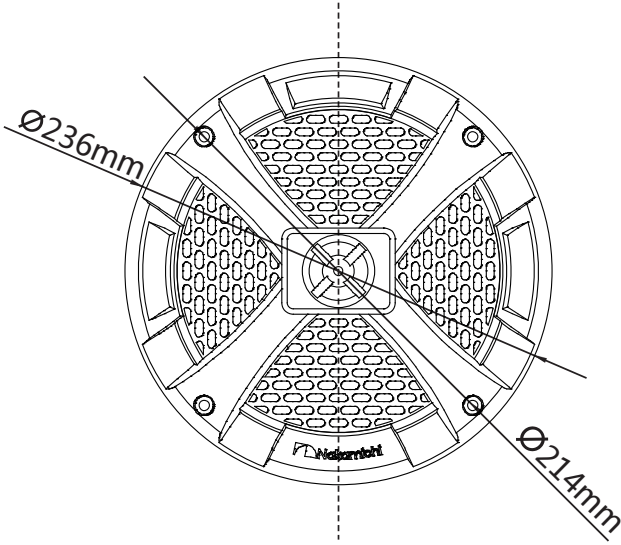
HOW TO COMPLE THE WIRING

Consult the diagram below. Be sure to connect corresponding terminals, i.e. "+" to "+" and "-" to "-". Connection with reversed polarity will degrade the quality of production.

CAUTION: Connect the provided speaker cord to the speaker terminal while holding the lower portion of the speaker terminal.



DIMENSIONS(unit:mm)

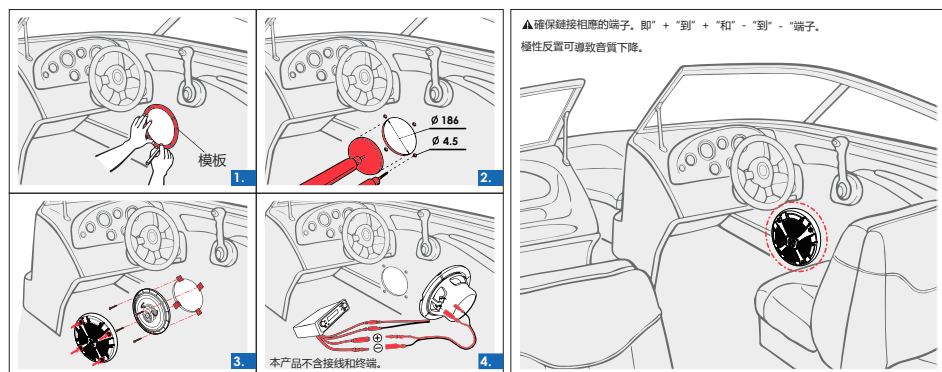


感谢

感谢您購買Nakamichi的產品，歡迎光臨Nakamichi！為了我們能更好地為您服務，請保管好您的原始收據並填寫好保修卡。為了您得到更大的技術支持，請您最好將保修卡的副本寄回Nakamichi指定的服務商。

重要信息

- 使用本裝置之前，請仔細閱讀並理解所有相關說明。如果由于未遵循說明而造成損害，則將不能享受保修。
- 只能使用隨附的安裝硬件，以確保安裝安全穩固。
- 切勿在超出峰值功率處理能力的情況下持續使用該揚聲器系統。
- 信用卡、手錶、錄音磁帶等具有磁性編碼的物件應遠離該揚聲器系統，以免揚聲器內部磁鐵帶來損壞。
- 用柔軟的濕布清潔本裝置。切勿使用酒精、化學品或家用清潔劑等物質清潔本裝置。



● 安裝此揚聲器前請務必閱讀本說明書。

規格

揚聲器類型：	8" (16.5cm) 2-way
安裝深度：	>7.2" (83mm)
額定功率：	40 watts
峰值功率：	400 watts
靈敏度：	91 ±3dB
頻率響應：	72-20k Hz
阻抗：	4 ohms
音圈規格：	KSV 30.5mm
磁鐵規格：	30 Oz(850g)
淨重：	大約 1.9 kg

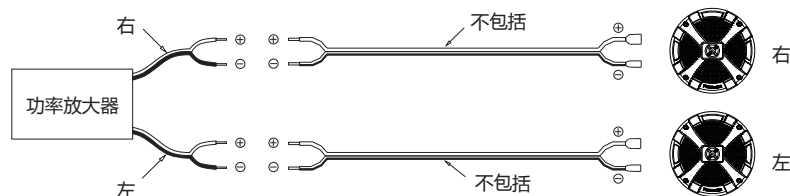
包裝內物品

- ① 揚聲器 X1對
- ② 說明書 X1本
- ③ 4x25mm 螺絲 X4顆
- ④ 4x35mm 螺絲 X4顆

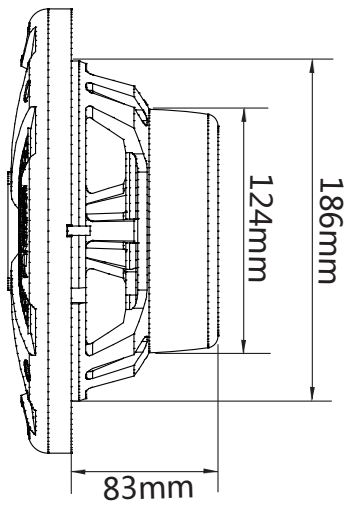
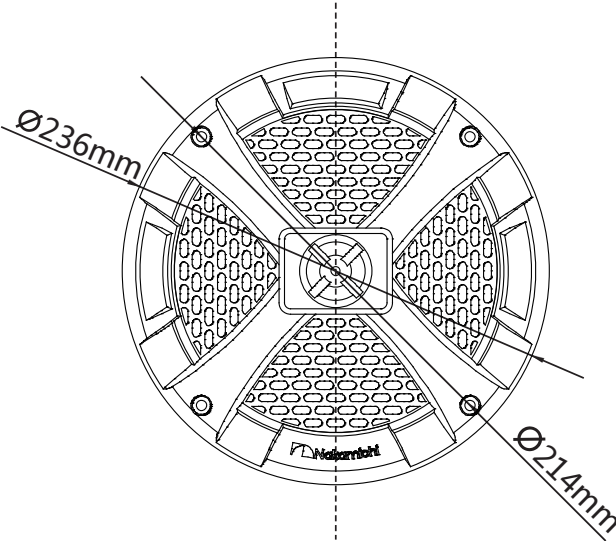
如何完成接线

參考下圖。確保鏈接相應的端子。即“+”到“+”和“-”到“-”端子。極性反置可導致音質下降。

注意: 握住揚聲器端子的低端部分，將產品內的揚聲器線連接到揚聲器端子上。



產品尺寸 (單位 : mm)



CONNECT WITH US

 nakamichicaraudio.com

 [Nakamichi.Global](https://www.facebook.com/Nakamichi.Global)

 [nakamichi.caraudio](https://www.instagram.com/nakamichi.caraudio)