



ND795

User Manual



6.86" TOUCH IPS SCREEN

CONTENTS

Introduction.....	2 EN
Accessories list	2 EN
Specification.....	2 EN
Dimensions	3 EN
Panel controls and features.....	4 EN
Touch TP.....	5 EN
Installation guide	8 EN
Function introduction.....	9 EN

INTRODUCTION

Thank you for your purchase and welcome to the world of Nakamichi! Please keep your original proof of purchase or invoice in a safe place in case of any warranty claims. Do also mail or register your warranty with the official Nakamichi service centers and/or agents to ensure that you are provided with the relevant technical support if required.

ACCESSORY LIST

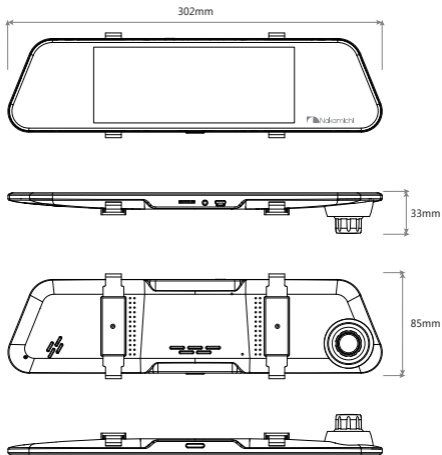
1. User Manual	1pc
2. DVR	1pc
3. Wires	2pcs
4. Rear Camera	1pc
5. Car Charger	1pc
6. 3M Glue	1pc
7. Screws	2pcs

SPECIFICATIONS

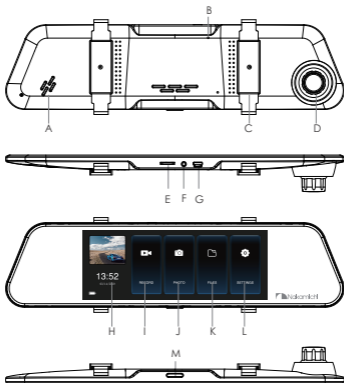
Product Name	Driving Video Recorder
Product Size	302x33x85 (Unit:mm)
Net Weight	330g
Front Resolution	500W
Rear Resolution	854x480
Lens Angle	170 degrees
Video Resolution	1920x1080,30fps
Language	Chinese (Simplified), Chinese Traditional, Russian, Spanish, English, Thai, etc.
Compression Format	H.264
Video Format	MOV
Touch Panel	Single Touch
Storage Temperature	-20 ° C ~ 70 ° C
Operating Temperature	0°C~50°C

Operating Humidity	15-65% RH
Memory Card Capacity	Max Capacity 64GB
Battery	Capacity 500mA
Input Voltage	DC5V/1.5A

DIMENSIONS(UNIT: MM)



PANEL CONTROLS AND FEATURES



A. Speaker:

Unit broadcasts sound through the speaker here.

B. Reset Button:

If the recorder is unresponsive, please reset the unit here using a sharp object.

C. Attachment Point:

This mounts the unit to the rear view mirror.

D. Front Camera:

This is the main camera of the unit.

E. TF Card Slot:

Insert a compatible TF card here.

F. Rear Camera Interface:

Connect the rear camera through this port.

G. USB Power Supply:

Connect the power supply to the unit here.

H. Date and Time Display:

I. Video Recording Interface:

Access video recording functions.

J. Touch into camera interface:

Enter camera interface;

k. Playback Interface:

Access playback functions.

L. Settings Interface:

Access unit settings.

M. Power Button:

When the unit is turned off, press and hold the button for 2 seconds to turn the unit on.

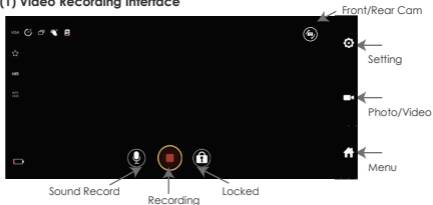
When the unit is turned on, press and hold the button for 2 seconds to shut down the unit.

When the unit is turned on, short press the unit to turn the screen on and off.

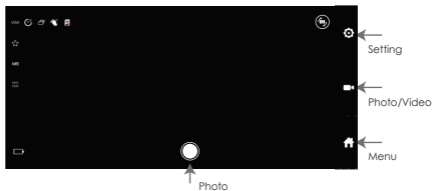
TOUCH PANEL

You can also operate the unit using the touch panel

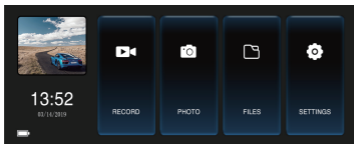
(1) Video Recording Interface



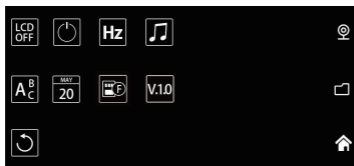
(2) Photo Recording Interface



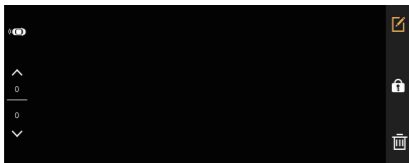
(3) Main Interface



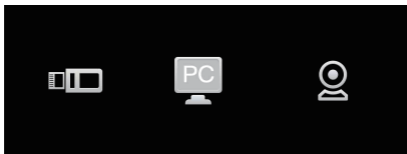
(4) Setting Interface



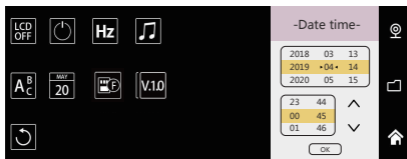
(5) Video Playback Interface



(6) USB Mode



(7) Time Setting



INSTALLATION GUIDE

1. Turn off the car engine.
2. Insert the TF card into the TF Card Slot.
Please use a TF card of Class 10 or above with a minimum of 8gb and a maximum of 64gb.
3. Affix the unit to the car's rear view mirror.
4. Insert the car charger into the car 12v socket.
5. Connect the charging cable to the units USB port.

You can lay the cable along the edge of the windscreen of the car.

6. Install the rear camera at the rear of the vehicle and be sure of it's direction during installation. Wiring can be laid along the roof of the vehicle.

After the installation, please connect the rear camera to the main unit.

7. Adjust the lens position to ensure the correct field of view during recording.
8. Start the engine and check that the unit is installed correctly.
During normal operation, the system indicator will light up, and the unit will start recording with the recording indicator flashing. Please check the display and if the display is inverted, please contact the nearest service centre.

FUNCTION INTRODUCTION

1. Automatic Recording

When the car engine starts, the unit will automatically turn on and start recording. Once the engine is turned off, the unit will automatically save the currently being recorded content and shut down. Recorded images and videos will be saved on the TF card. Once the TF card is full, the unit will automatically overwrite the earliest file.

Recording time can be set in the "Settings Interface" and can be set

from 1 minute / 3 minutes / 5 minutes / Closed.

a. If 1, 3 or 5 minute option is selected, the unit will overwrite the earliest file once the TF card is full.

b. If the Close function is selected, the files will be saved in 3 minute intervals but once the TF card is full the earliest file will not be overwritten and the recording will stop.

c. The video is saved in the 1 and 2 folder in the DCIM folder of the TF Card, with 1 saving front recordings and 2 saving rear recordings.

2. Manual Recording

Pressing the unit's power button, and then pressing the enter button, the unit will start manual recording, showing the recorded time. To turn off, just press and hold the power button for 2 seconds and the unit will shut down, saving all data before doing so.

3. Collision Detection

The built in collision sensor (G-Sensor) will detect if there is a serious impact. Once it detects a collision, the unit will automatically lock the recording and save it with a higher priority, and a lock image will be shown on the upper left corner of the image. The locked image and recording will not be overwritten during the regular recording loop.

a. Locked files are recorded beginning with SOS, normal recordings are recorded beginning with REC.

b. The collision sensor can be adjusted for sensitivity in the settings menu.

4. Vehicle Reversing

For this function, the camera must be connected to the reverse sensor. The unit will function as per normal, but once the car is put into reverse, the reverse image will be displayed. The unit will go back to normal functions once the car is out of reverse mode.

5. Motion Detect

During standby mode, any movement in front of the unit's camera will be recorded automatically.

前言

前言	2 CN
配件清單	2 CN
規格	2 CN
產品尺寸	3 CN
面板控制和功能	4 CN
觸摸TP	5 CN
安裝指南	7 CN
功能簡介	8 CN

前言

感謝您的購買，歡迎來到Nakamichi！為了享受更好我們的服務，請妥善保管原始發票。你最好發帖回到Nakamichi的指定服務代理人的副本，以便您可以獲得更多技術支援。

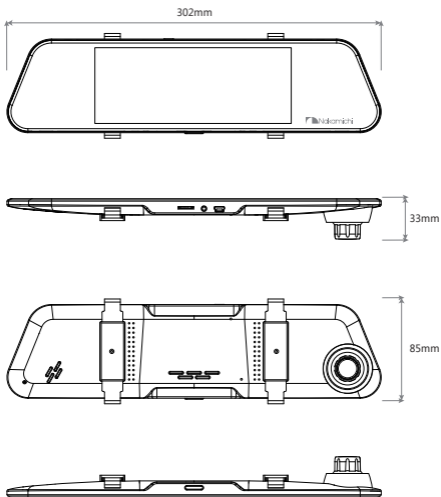
配件清單

1. 用戶手冊	1個
2. 記錄儀	1個
3. 綁帶	2個
4. 後拉攝像頭	1個
5. 車充	1個
6. 3M膠	1個
7. 螺絲	2個

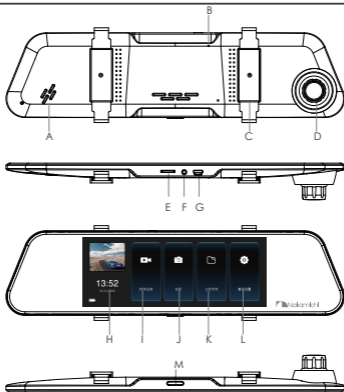
規格

產品名稱	行車記錄儀
產品尺寸	302x33x85 (單位:mm)
淨重	330g
攝像素素	500W
後置攝像頭分辨率	854*480
鏡頭視角	170度
錄像分辨率	1920x1080, S/30幀
語言	中文(簡體)、中文繁體、俄羅斯文、西班牙語、英文、泰文等
存儲壓縮方式	H.264
視頻格式	MOV
觸摸TP	單點觸摸
儲藏溫度	-20°C~70°C
操作溫度	0°C~50°C
操作濕度	15-65%RH
儲存卡容量	最大支持64GB
電池	容量500mA
標準電壓	DC5V/1.5A

尺寸 (單位 : mm)



面板控制和功能



A. 揚聲器:

播放視頻或者有聲文件的擴音孔，做操音提醒。

B. RESET:

如記錄儀發生死機故障，按復位孔然後開機，她就可以正常工作了

C. 背夾固定鉤:

固定錄像機

D. 前置鏡頭:

觀察窗

E. TF卡槽:

a) 插TF卡，視頻文件將存入TF卡內。

F. 後置攝像頭接口:

a) 接後置攝像頭。

G. USB電源接口:

a) 接DC 5V電源。

H. 時間日期顯示:

I. 進入視頻界面觸摸:

a) 進入視頻錄像界面

J. 觸摸相機界面

a) 進入攝像頭界面;

K. 進入播放屏幕觸摸:

a) 進入播放界面

L. 菜單界面觸摸:

M. 電源鍵:

a) 功能一：開關機功能

b) 在關機狀態下，長按2秒鐘【電源鍵】可開啟本機電源，機器自動開始工作。

c) 在開機狀態下長按【電源鍵】並保持2秒鐘本機自動保存錄像文件及用戶設置並關機。

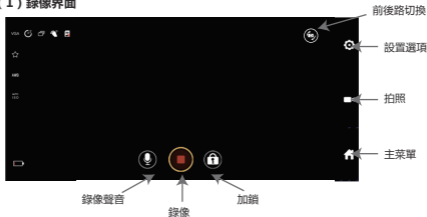
d) 功能二：關屏

e) 在開機狀態下，短按【電源鍵】可開啟或關閉屏幕

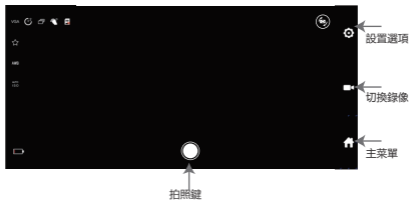
觸摸TP

在不使用按鍵操作的情況下，可點擊觸摸TP代替按鍵。

(1) 錄像界面



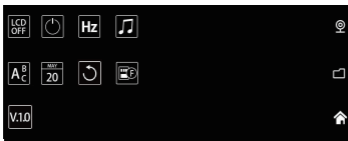
(2) 拍照界面



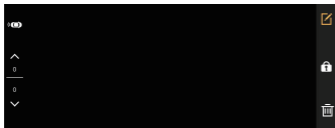
(3) 主菜單界面



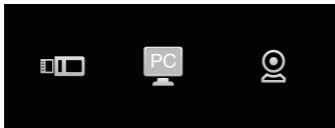
(4) 設置菜單界面



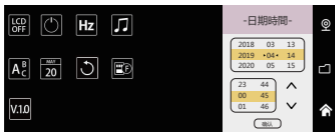
(5) 視頻回放



(6) USB模式



(7) 時間設置



安裝指南

1. 關閉汽車發動機。
2. 將TF卡插入記錄儀卡槽中。
【注意】請使用高速TF卡（Class10 以上），容量不小於8G，TF卡最大支持64GB。
3. 將記錄儀固定於汽車的原後視鏡上。
4. 將車載充電器插入汽車點煙器中。

5. 用充電延長線將記錄儀的USB接口和車載充電器連接起來。

【注意】佈線時可將充電延長線沿汽車擋風玻璃邊緣敷設。

6. 將後置攝像頭安裝在車輛後部，安裝時注意方向。佈線可沿車輛頂棚敷設。

安裝完成後將後插頭接入記錄儀後置攝像頭接口。

7. 調整鏡頭位置，確保鏡頭與地面保持水平。

8. 發動引擎，檢查機器是否已安裝正確。

【注意】當機器安裝正確，系統工作指示燈點亮；機器啟動進入記錄狀態，錄像指示燈閃爍。請注意檢查顯示屏上的畫面是否正常，如顯示畫面為倒像，請及時與我們聯絡。

功能簡介

1. 使用自動記錄功能

啟動汽車發動機，記錄儀自動啟動並開啟記錄功能。關閉汽車發動機，記錄儀自動保存記錄內容並關機。記錄的影像分段保存於TF卡上，當TF卡存儲滿後記錄儀將覆蓋較早前錄製的影像。記錄的時間段可自行在“錄像界面的設置選項中設置”，範圍為1分鐘/3分鐘/5分鐘/關閉四個檔。

【注意】如果選擇為“1/3/5”分鐘這三個檔中的任意一檔時，當TF卡存儲滿後記錄儀將覆蓋較早前錄製的影像；

b. 如果選擇“關閉”，則以3分鐘一個文件進行保存，當卡滿後不會繼續錄像。

c. 前、後攝像頭的錄像保存於TF卡的“DCIM”中的“1”“2”文件夾中。

2. 使用手動記錄功能

按記錄儀【電源鍵】，記錄儀啟動後按確認鍵開始錄像，錄像小圓點閃爍並顯示錄製時長。如需關機則長按【電源鍵】2秒，記錄儀即可自動保存記錄並關機。

3. 碰撞感應功能

本機內置碰撞感應器(G-sensor)，如果發生嚴重車輛碰撞，記錄儀會鎖定事故發生時的本斷錄像保存為一個特殊影像，同時顯示屏左上角顯示鎖的圖標。被鎖定的影像不會被循環覆蓋。

【提示】

a. 鎖定的錄像文件名為SOS開頭，普通記錄文件為REC開頭。

b. 碰撞感應器(G-sensor)支持靈敏度調節，可根據實際需要在設置菜單中自行更改設置。

4. 倒車可視

首先，必須把車充連接好記錄儀，拉線攝像頭上的紅線連接倒車燈。插車充機器會自動啟動錄像狀態，在任意狀態下如果有倒車，會顯示倒車影像。結束倒車可視後機器自動返回錄像模式。

5. 運動檢測

在待機狀態的情況下，自動記錄移動過程移動目標。

CONNECT WITH US

 www.nakamichicaraudio.com

 [Nakamichi.Global](https://www.facebook.com/Nakamichi.Global)

 [Nakamichi.caraudio](https://www.instagram.com/Nakamichi.caraudio)