



ND790

6.86" Touch IPS Screen

User Manual

www.nakamichicaraudio.com

INTRODUCTION

INTRODUCTION----- 2 EN

ACCESSORY LIST----- 2 EN

SPECIFICATIONS----- 2 EN

DIMENSIONS----- 3 EN

PANEL CONTROLS AND FEATURES----- 4 EN

SPECIAL FUNCTION----- 5 EN

Automatic on / off

Do not leak seconds

Motion detection

BASIC OPERATING INSTRUCTIONS----- 5 EN

Record mode

Camera mode

Short Video/Photo Playback

USB model

Power supply

TROUBLE SHOOTING----- 6 EN

INTRODUCTION

Thank you for your purchase, and welcome to Nakamichi! In order to enjoy the better service from us, please keep your original invoice well and complete. You'd better post the copy of back to the appointed service agent of Nakamichi so that you may get more technical support.

ACCESSORY LIST

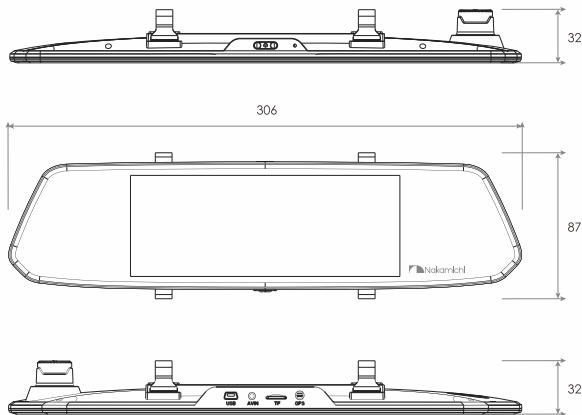
1. User Manual	1pc
2. DVR	1pc
3. Lace	2pcs
4. Rear pull camera	1pc
5. Car charger	1pc
6. 3M glue	1pc
7. Screw	2pcs

SPECIFICATIONS

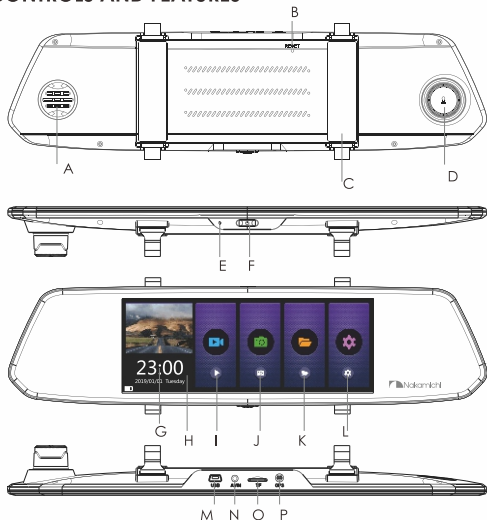
Model Number	ND790
Product size	306*87*32MM
Net weight	311g
Camera lens	170 degree A+ high resolution- ultra wide angle lens
Language	Chinese (Simplified), Chinese- (numerous), Russia, Spanish, English, Thai, etc.
File format	MOV
Video resolution	Maximum 1080P
Video format	H.264
Loop video	Seamless video, no leakage
Mobile detection function	Support
Date	Support
Photographic pixels	500 pixels

Photo format	JPEG
Memory card	TF (maximum support 64GB)
Rear camera display	Support
parking monitor	Support
Built-in Microphone	Support
Built-in speaker	Support
Video format	PAL/NTSC
Current frequency	50HZ/60HZ
USB function	1:USB-Disk 2:PC camera
Power supply interface	5V /1.5A
Battery	Capacity 500mA

Dimensions(Unit: mm)



PANEL CONTROLS AND FEATURES



A, Horn

Play video or sound amplification files hole , operating sound warning;

B, RESET

Restart recovery hole;

C, Back clip fixation hook

Fixed video recording instrument;

D, Lens

Viewing window;

E, MIC

Record audio and audio receiver;

F, power supply key

Long press on / off;

G, Time and date display;

H, LCD touch screen

Image display and touch screen;

I, Enter video interface touch

Enter video image interface;

J, Touch into camera interface

Enter camera interface;

K, Go into playback screen touch

Enter playback interface;

L, Access menu interface touch

Access menu interface;

M,USB data interface

USB data interface, which is used to connect the PC transmission data; It is used to connect the external power supply to the battery charger provide work power;

N,Rear pull camera interfaceTF card slot

Memory card slot

O,TF card slot

Memory card slot

P,This version does not support GPS**SPECIAL FUNCTION:****Automatic on / off**

Support the connection of vehicle power, the car starts automatically on the video, the automatic save video and turn off;

Note: the video device will be automatically shut down when the battery is low.

Do not leak seconds**Motion detection**

In the case of the standby condition, the moving process is recorded automatically when the target is moved.

RECORD MODE / CAMERA MODE BASIC OPERATING INSTRUCTIONS:**Record mode**

Short press the mode selection button/menu button to switch to the camera mode. Short press the camera button to start recording, the camera icon will flash red dot, indicating the video work.

Camera mode

Press  button to take a picture, the screen flashes once, said the photo was completed.

Short Video / Photo Playback

press mode select button / menu key button, switch to playback mode.

Press the "DCIM FILE",the first file is video by front camera ,the second file is video by rear camera.

USB mode

When the USB cable is connected to the computer, press the start button, the drive recorder will automatically pop up the USB menu, there are two modes to choose from:

1:USB-Disk

In this mode,it can access to the video files or photo files;

2:PC camera

Select this mode will pop up USB video equipment, can be real-time camera or video chat;

Power supply

the use of on-board power charging.

Note: when using this product due to improper operation caused by the phenomenon of crash, you can cut-off the power or press the RESET slot and then boot. It can work normally.

TROUBLE SHOOTING

When on the condition of normal operating,if the following problems occur,please refer to the solutions as below:

can't take photos, camera

Check the TF card if there is enough space, whether locked.

When recording, it will automatically stop

Because of the huge high-definition video data, please use high speed TF card(class 10)

The pictures and video replay, "file error" prompt

Error occurred while the TF card storage of data, according to the files are not complete, please reformat the TF card.

Take a foggy image

Please check whether the camera is dirt, finger print; into shooting before, use lens paper wipe the lens.

The sky, water - shooting scene, the image is very dark

In the large contrast scene, it will affect the automatic exposure function of the camera, which can be adjusted by adjusting the "EV" value in the machine settings menu.

In the cloudy, indoor light, color is not perfect

Please check the machine "white balance" function is set to automatic.

Horizontal stripes - interference image

This is due to the error of the "light source frequency", please according to the local power supply frequency, set to "50Hz" or "60Hz".

Crash

Please press the RESET slot down for recover it.

前言

前言	2 CN
配件清單	2 CN
規格	2 CN
產品尺寸	3 CN
面板控制和功能	4 CN
特殊功能說明	5 CN
自動開/關	
不漏秒	
運動檢測	
基本操作說明	5 CN
錄製模式	
拍照模式	
視頻/照片播放短片	
USB型號	
電源	
困難的解決方案	6 CN

前言

感謝您的購買，歡迎來到Nakamichi！為了享受更好我們的服務，請妥善保管原始發票。你最好發帖回到Nakamichi的指定服務代理人的副本，以便您可以獲得更多技術支援。

配件清單

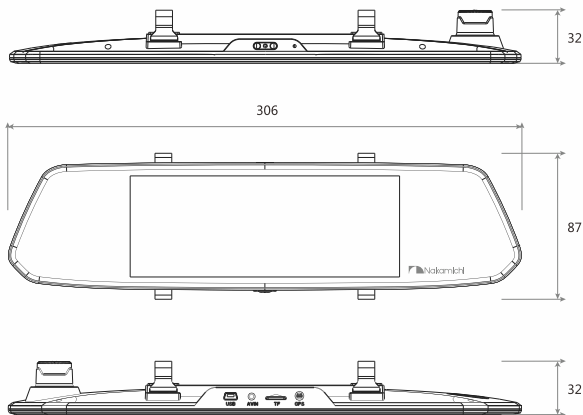
1. 用戶手冊	1個
2. 記錄儀	1個
3. 綁帶	2個
4. 後拉攝像頭	1個
5. 車充	1個
6. 3M膠	1個
7. 螺絲	2個

規格

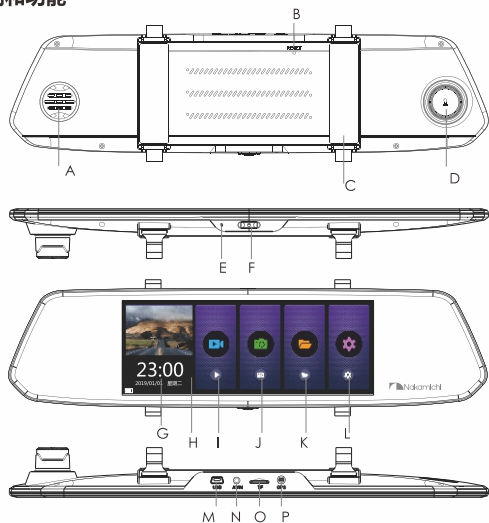
產品名稱	車輛行駛記錄儀
產品尺寸	306* 87*32MM
淨重	311克
鏡頭	170度A + 高分辨率 - 超廣角鏡頭
語言	中文（簡體），中文（繁體），俄羅斯， 西班牙文，英文，泰文等
文件格式	MOV
視頻分辨率	最大1080P
視頻格式	H.264
循環視頻	無縫視頻，無洩漏
移動檢測功能	支持
日期	支持
攝影像素	500像素
照片格式	JPEG

存儲卡	TF (最大支持64GB)
後置攝像頭顯示	支持
停車監視器	支持
內置麥克風	支持
內置揚聲器	支持
視頻格式	PAL/ NTSC
當前頻率	50HZ/60HZ
USB功能	1 : USB-Disk 2 : PC攝像頭
電源接口	5V /1.5A
電池	容量500mA

尺寸 (單位 : mm)



面板控制和功能



- | | |
|---|--|
| <p>A, 揚聲器
播放視頻或者者有聲音文件的擴音孔，操作音提醒;</p> <p>B, RESET
恢復出廠設置;</p> <p>C, 背夾固定鉤
固定錄像儀;</p> <p>D, 鏡頭
觀察窗;</p> <p>E, MIC
錄製音頻和音頻接收器;</p> <p>F, 電源鍵
長按開/關;</p> | <p>G, 時間日期顯示</p> <p>H, LCD觸摸屏
圖像顯示和觸摸屏;</p> <p>I, 進入視頻界面觸摸
進入視頻圖像界面;</p> <p>J, 觸摸相機界面
進入攝像頭界面;</p> <p>K, 進入播放屏幕觸摸
進入播放界面;</p> <p>L, Access菜單界面觸摸
訪問菜單界面;</p> |
|---|--|

M, USB數據接口

USB數據接口, 用於連接PC傳輸數據; 將外部電源連接到電池充電器提供工作電源;

N, 後拉攝像頭接口

O, TF卡槽

存儲卡插槽

P, 此版本不支持GPS

特殊功能說明：

自動開/關

支持車輛電源連接, 汽車自動啟動視頻, 自動保存視頻並關閉。

注意：電池電量不足時, 視頻設備將自動關閉。

不漏秒

運動檢測

在待機狀態的情況下, 自動記錄移動過程移動目標。

錄製模式/攝像機模式基本操作說明：

錄製模式

短按模式選擇鍵/菜單鍵按鈕, 切換到攝像模式。

短按  鍵開始攝像, 攝像圖標會出現閃動紅點, 標明錄像工作中。

拍照模式

短按模式選擇鍵/菜單鍵按鈕, 切換到拍照模式。

短按  鍵拍照, 拍照時屏幕閃爍一次, 表示拍照完成。

視頻/照片播放短片

按模式選擇按鈕/菜單鍵按鈕, 切換到播放模式。

按“DCIM文件”, 第一個文件是前置攝像頭, 第二個文件是後面的視頻相機。

USB模式

USB線和電腦連接, 按下啟動按鈕, 行車記錄儀將自動彈出USB菜單。有兩種模式可供選擇：

1：USB磁盤

在此模式下可以進行視頻文件或照片文件訪問。

2：PC攝像頭

選擇此模式會彈出USB視頻設備, 可實時攝像或視頻聊天。

電源

車載電源供電。

注意：使用本產品時由於操作不當引起的現象崩潰, 你可以切斷電源或按RESET孔然後開機, 它就可以正常工作了。

故障的解決方案

■不能拍照，攝像

檢查TF卡是否有足夠的空間，是否鎖住。

■錄像時，會自動停止

由於高清視頻數據巨大，請使用高速C10的TF卡。

■重播圖片和視頻時，出現“文件錯誤”提示

TF卡存儲資料時發生錯誤，造成文件不全，重新格式化TF卡。

■拍出的影像霧濛濛一片

進行拍照前請檢查鏡頭是否有髒物，手指印；進進行拍攝前，使用鏡頭紙擦拭鏡頭。

■拍攝天空，水面等場景時，影像非常黑

在大的反差場景中會影響到攝像機的自動曝光功能，可以通過調整機器設置菜單中的“EV”值進行修正。

■在陰天，室內光源下，顏色表現不夠完美

請檢查機器“白平衡”功能是否設置為自動。

■圖像中有橫條紋干擾

這個是由於設置了錯誤的“光源頻率”而產生的，請根據當地的供電頻率，設置為“50赫茲”或者“60赫茲”。

■死機

死機後請按RESET孔進行恢復後重啟。



www.nakamichicaraudio.com