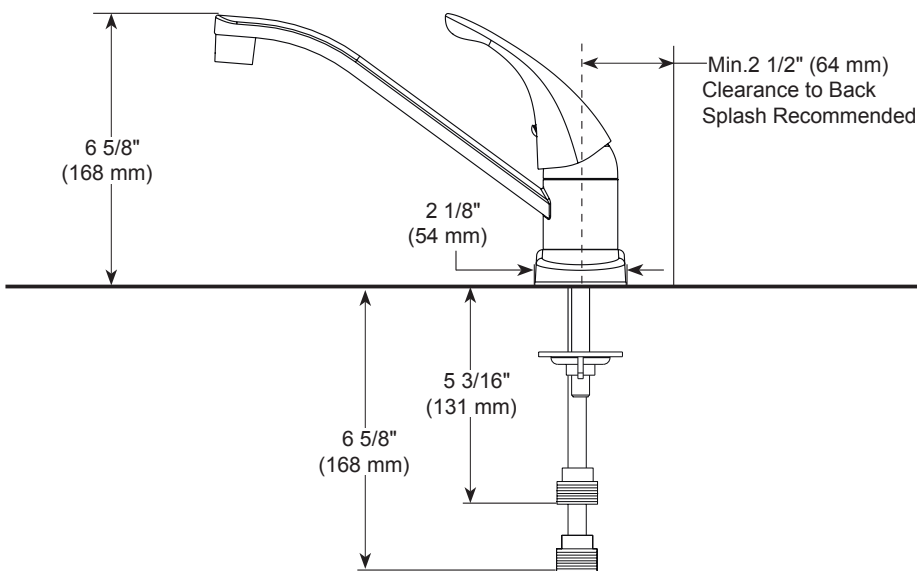
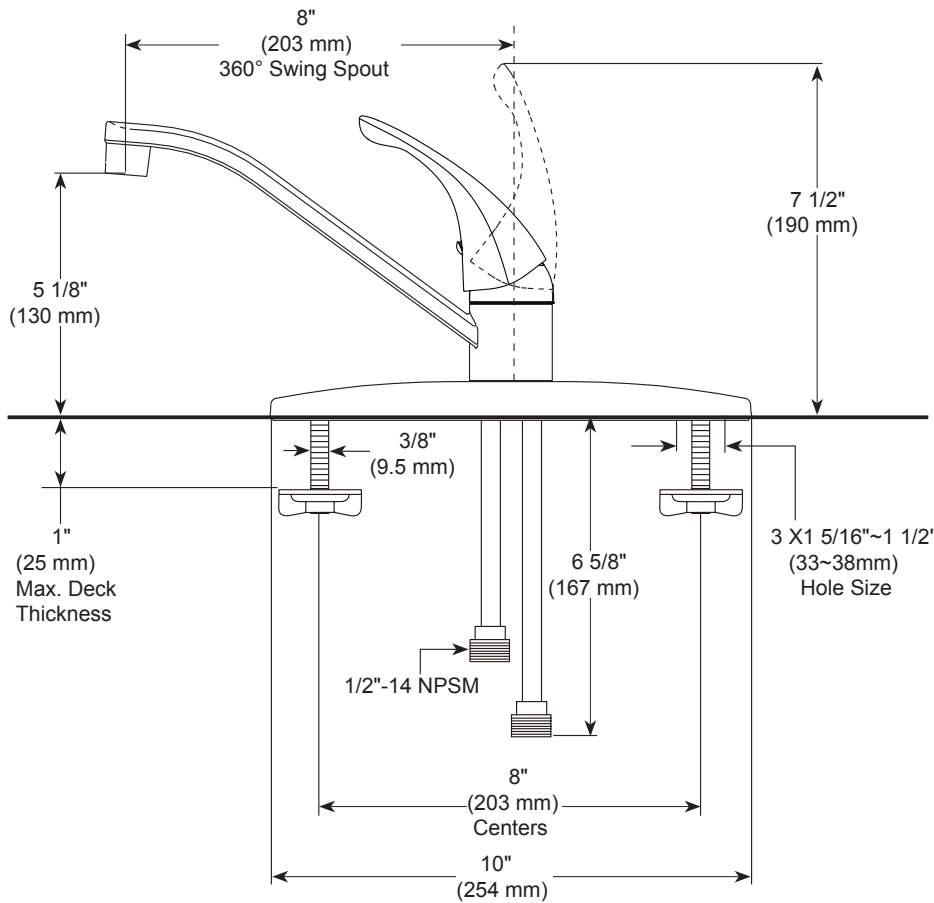
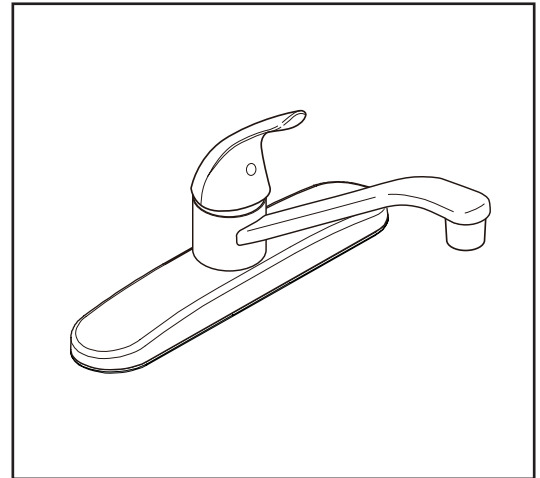


# PEERLESS®

P110LF▲  
P110LF▲-1.0



## KITCHEN FAUCETS

- Single handle dock mount
- 3 hole sink applications

### STANDARD SPECIFICATIONS:

- Maximum 1.8 gpm @ 60 psi, 6.8 L/min @ 414 kPa (P110LF▲)
- Maximum 1.0 gpm @ 60 psi, 3.8 L/min @ 414 kPa (P110LF▲-1.0)
- 8" (203 mm) centerset
- Spout rotates 360°
- Replaceable rotating ball valve with replaceable non-metallic seats
- 1/2"-14 NPSM threaded male inlet adapters

### WARRANTY

- Parts and Finish - Lifetime limited warranty; or for commercial purchasers, 10 years for multi-family residential (apartments and condominiums) and 5 years for all other commercial uses, in each case from the date of purchase.

### COMPLIES WITH:

- ASME A112.18.1 / CSA B125.1
- ☑ Indicates compliance to ICC/ANSI A117.1