

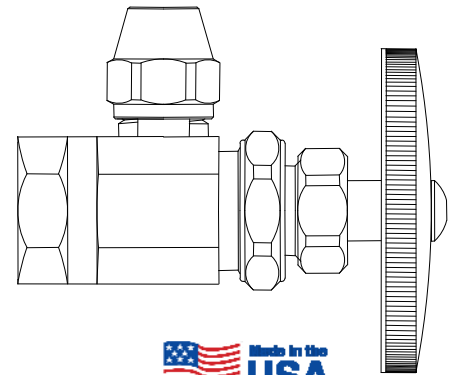
Job Name		Engineer / Architect	
Job Location		Wholesaler	
Submittal Date		Contractor	

MTFR17 /MFTR37 Multi-Turn Angle Stop w/ Stuffing Box – Female Iron Pipe x Flare

Use: For use in potable water distribution systems. Not intended for recirculating water systems that produce continuous use temperatures above 115° F. For those applications, use BrassCraft KT series ball stops

Design Features:

- **Machined one-piece brass body** provides strength, durability and long-lasting performance
- **Knurled oval handle** provides a secure grip and smooth on/off operation
- **Easy-to-remove handle** with screw attachment protects accidental stop operation during rough-ins



Operating Specifications:

Temperature: 40° - 140° F
Pressure: 125 PSI maximum

MATERIAL SPECIFICATIONS	
Valve Body	C36000 brass
Stem	C36000 brass
Bib & Packing Washers	Nitrile or EPDM rubber
Packing Nut	C36000 brass
Handle	Plated metal
Handle Screw	Zinc-plated steel
Flare Nut	C36000 brass

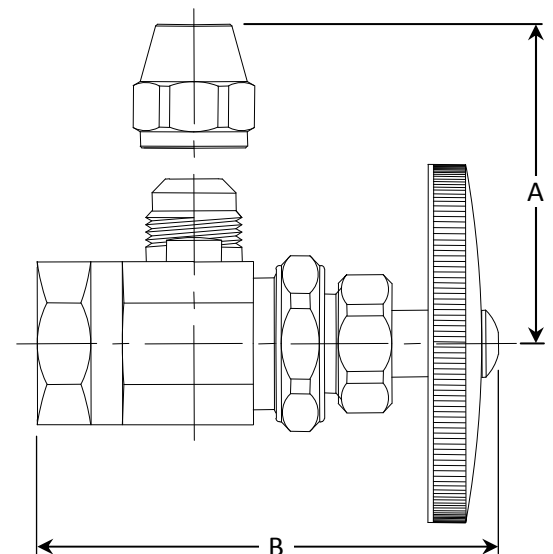
PART DIMENSIONS (Inches)		
Model	DIM. A	DIM. B
MTFR17	1.18	2.66
MTFR37	1.30	2.66

Standard Part Listing:

- MTFR17 C 1/2" F.I.P. x 3/8" OD Flare with stuffing box, metal handle, chrome plated
- MTFR37 C 1/2" F.I.P. x 1/2" OD Flare with stuffing box, metal handle, chrome plated

Listings & Certifications:

- IAPMO listed to ASME A112.18.1 / CSA B125.1 (File # 0645)
- CSA listed to ASME A112.18.1 / CSA B125.1 (File # 204593)



This specification and all information contained herein is the confidential and exclusive property of BrassCraft Manufacturing, and shall not be disclosed to others without the written consent of BrassCraft. This specification must be returned to BrassCraft if requested.

