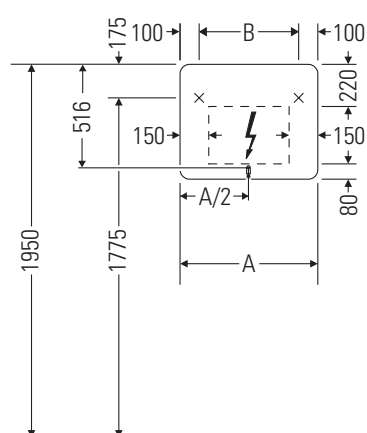


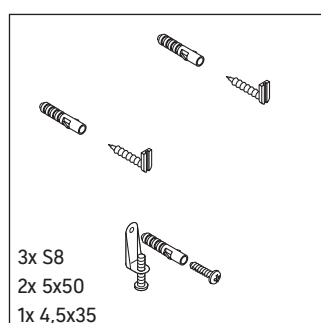
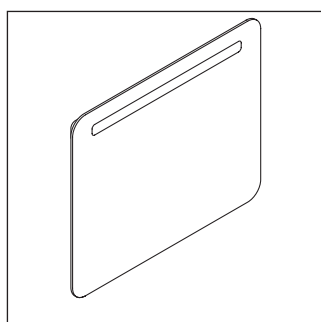
# PuraVida

# # PV 9421

## Installation instructions



A mm	B mm
720	520

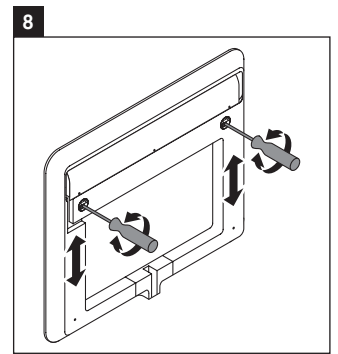
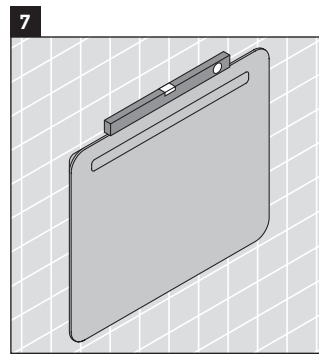
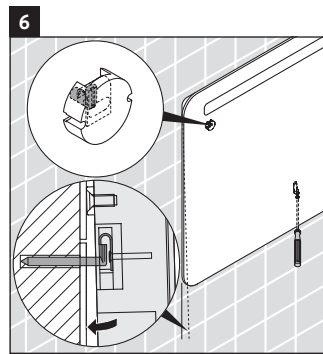
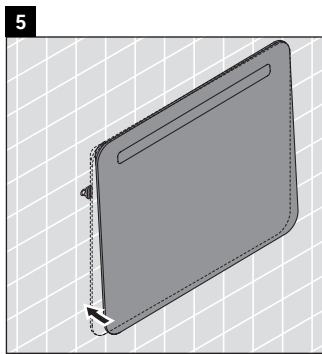
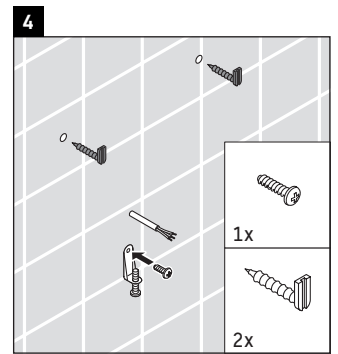
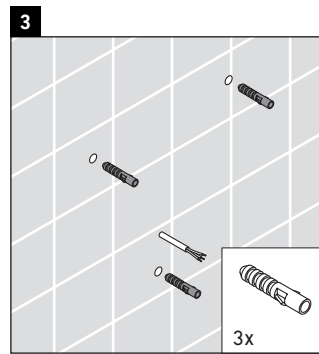
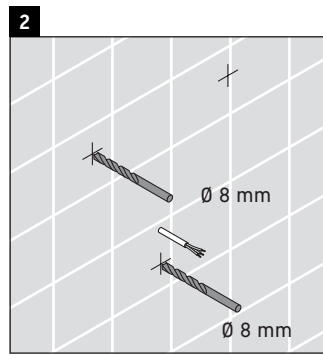
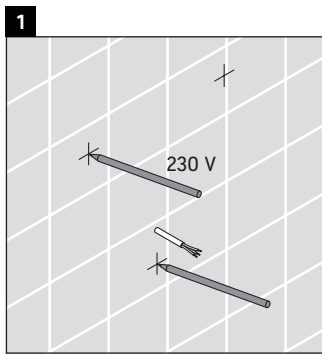


### Instructions for use

The bathroom furniture range complies with the standards and guidelines applicable at the time of delivery and is designed for use in bathrooms. Direct contact with water should be avoided, for example, when showering.

A power supply of 110 V – 230 V must be available on site.

We reserve the right to make technical improvements and design modifications to the products illustrated.



---

**Mounting instructions** for bathroom furniture with a power supply



Safety

2



Electrical installation

3



Mounting

4



## Intended use

The mounting instructions come as part of the Duravit product and are aimed at people who carry out the electrical installation for the product. You must read through the mounting instructions carefully and they must be available at all times.

## Target readership and qualifications

The electrical installation may only be carried out by qualified electricians.

## Protection rating of Duravit products

The protection rating of Duravit products with a power supply complies with the IP 44 standard as a minimum.

## Protection class of wall lights

Protection class	Connecting cable
I	H05VV-F, 3x 1.5 mm <sup>2</sup>
II	H03VV-F, 2x 0.75 mm <sup>2</sup>

## Standards and directives

Duravit products comply with the CE marking directives:



## Icons and symbols

Symbol	Meaning
<b>i</b>	This symbol highlights useful and important information.
s	Seconds
>	Action required

## Safety instructions

### Danger to life

Contact with electricity may lead to an electric shock.

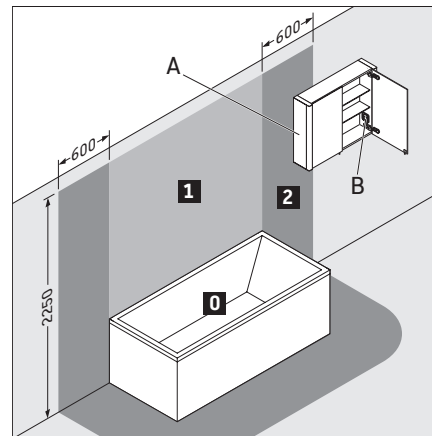
- > Carry out the electrical installation in accordance with the national, European and international directives and standards.
- > Observe protection zones for wet rooms in accordance with country-specific standards, local regulations and low voltage guidelines.
- > Connect the electrics using a ground fault circuit interrupter (GFCI) in wet rooms or other specially equipped rooms.
- > Disconnect electrical components from the power supply before the installation.
- > Check that all components are de-energised.
- > Prevent the power supply from being switched on accidentally.

### Penetration of foreign bodies and water

Foreign bodies or water in equipment lead to a short circuit that may cause damage to the product.

- > Observe the protection zones for Duravit products.

### Protection zones

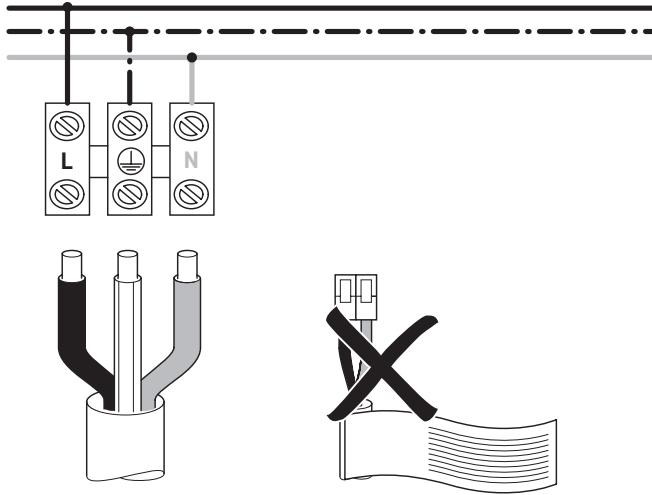


- A** A mirror cabinet with an IP 44 rating may protrude into zone 2.
- B** A socket in a mirror cabinet must be mounted outside the zones.

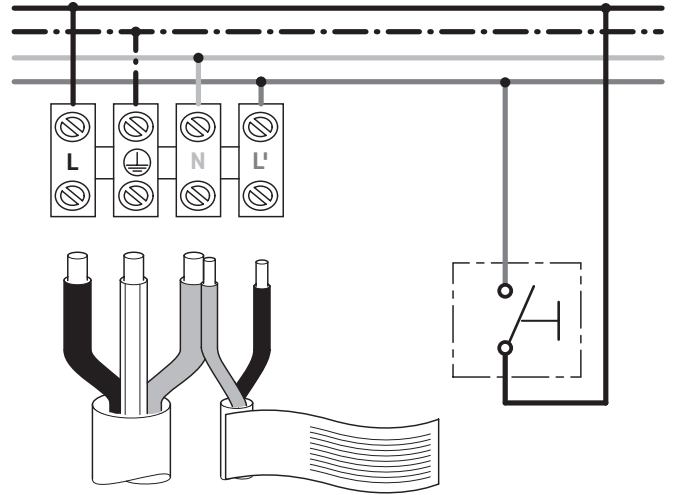


## Electrical installation for protection class I

### Electrical connection

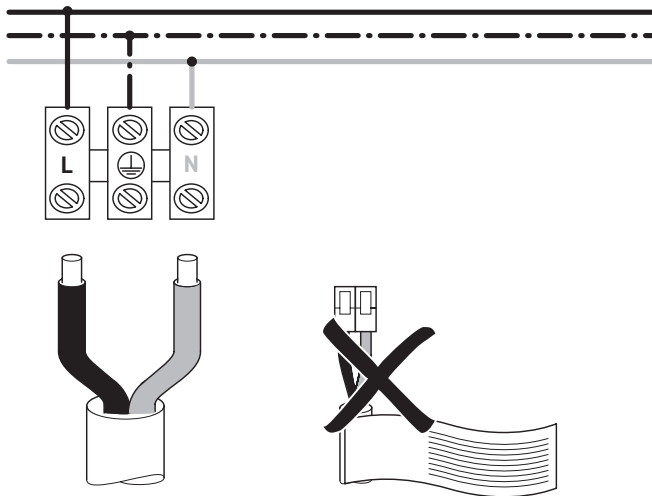


### Optional connection of an external button

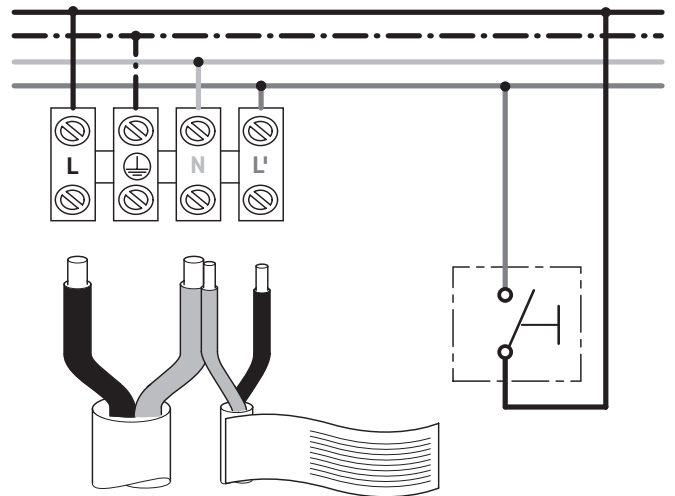


## Electrical installation for protection class II

### Electrical connection



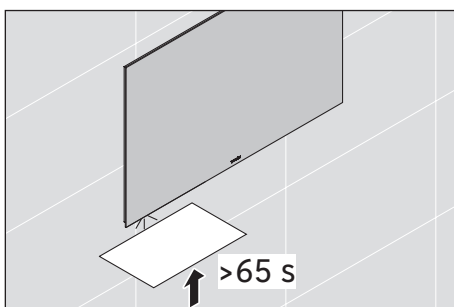
### Optional connection of an external button



## Measuring mode

The control unit has a measuring mode. Once the measuring mode is active, the light is switched on again automatically 90 seconds after it has been switched off.

- i** The measuring mode may be triggered during an installation under voltage by accidentally actuating the touch LED/infrared switch continuously.
- > Actuate the touch LED/infrared switch for longer than 65 seconds to activate the measuring mode. Use a reflective object (paper) for the infrared switch.



The light flashes 6 times.

- > Actuate the touch LED/infrared switch again for more than 65 seconds to deactivate the measuring mode. Use a reflective object (paper) for the infrared switch.

The light flashes 4 times.