

TECE data sheet

Status as of 31.07.2019



TECEbox toilet module with Octa cistern, 8 cm, for wall toilet, installation height 1110 mm

Article number: 9370008

DU 1: 1 pc.

DU 2: 18 pc.

Description:

Toilet module for wall toilet, depth 8 cm, for installation in a bricked-in wall or in front of a solid wall construction.

Consisting of:

Octa cistern, 8 cm, for front actuation:

- Safety tank made of impact-resistant plastic
- Cistern completely pre-assembled and sealed
- Cistern connection with 1/2" inner thread
- 9.5-litre tank volume; 6-litre preset standard flush volume; 4.5/6/9-litre flush volume can be set at any time; 3-litre partial flush volume with dual-flush system. Residual volume usable for immediate flush cleaning.
- Insulated against condensation water
- For TECE flush plates and toilet flush handle
- Can be set as a single or dual-flush cistern depending on the flush plate used
- Tested to DIN EN 14055
- Low-noise hydraulic filling valve
- Reinforcement fabrics for mounting

Module consisting of:

- Drain bend DN 90/90
- Toilet connection set DN 90 including protection plugs
- 180 or 230 mm ceramic mounting distance

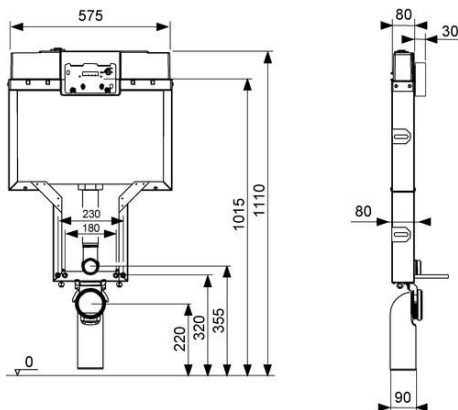
Sales data:

TECEbox toilet module with Octa cistern, 8 cm, for wall toilet, installation height 1110 mm

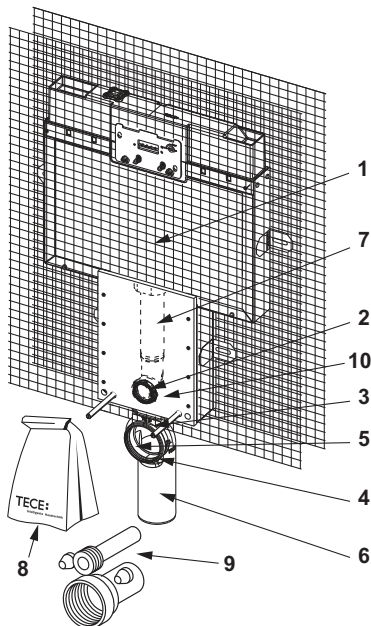
TECE data sheet

Status as of 31.07.2019

Dimensional drawings:



Spare parts:



- | | | |
|----|---------|--|
| 1 | 9820250 | Octa cistern, 8 cm |
| 2 | 9820015 | Flush pipe seal |
| 3 | 9820256 | Drain bend holder for Octa cistern, 8 cm |
| 4 | 9820049 | Bracket toilet drain bend holder |
| 5 | 9820139 | Seal for toilet drain bend/adapter |
| 6 | 9820150 | Toilet drain bend DN 90/90 PE-HD, for cisterns 8 cm |
| 7 | 9820192 | Flush pipe with O-ring |
| 8 | 9820146 | By-pack for Octa cistern, 8 cm (mounting material, etc.) |
| 9 | 9820057 | Connection set DN 90 for toilet |
| 10 | 9820255 | Flush pipe holder for Octa cistern, 8 cm |