

TECE data sheet

Status as of 31.07.2019



TECEbox toilet module with Uni cistern, installation height 1060 mm

Article number: 9370000

DU 1: 1 pc.
DU 2: 10 pc.
DU 3: 60 pc.

Description:

For installation in a bricked-in pre-wall in front of a solid wall.

Consisting of:

Uni cistern for front actuation:

- Safety tank made of impact-resistant plastic
- Cistern completely pre-assembled and sealed
- Cistern connection with 1/2" inner thread
- 10-litre tank volume; 6-litre preset standard flush volume; 4.5/7.5/9-litre flush volume can be set at any time; 3-litre partial flush volume with dual-flush system. Residual volume usable for immediate flush cleaning.
- Insulated against condensation water
- For TECE flush plates and toilet flush handle
- Can be set as a single or dual-flush cistern depending on the flush plate used
- Tested to DIN EN 14055
- Acoustic group 1 in accordance with DIN 4109
- Low-noise hydraulic filling valve

Module consisting of:

- Galvanised steel frame
- Two M 12 retaining bolts and nuts, installation spacing 180 or 230 mm
- Toilet drain bend DN 90 incl. joint adapter DN 90/100 made of PP
- Joint adapter also suitable for horizontal installation
- Toilet connection set DN 90, including protective plugs

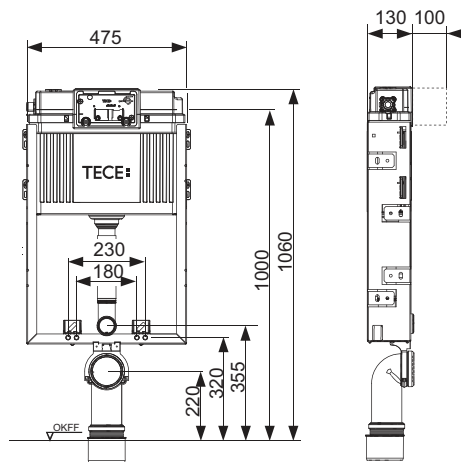
Sales data:

TECEbox toilet module with Uni cistern, installation height 1060 mm

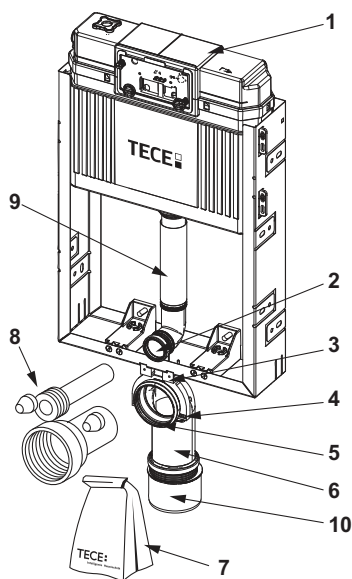
TECE data sheet

Status as of 31.07.2019

Dimensional drawings:



Spare parts:



- | | | |
|----|---------|--|
| 1 | 9820103 | Uni cistern 1120 mm |
| 2 | 9820015 | Flush pipe seal |
| 3 | 9820048 | Toilet drain bend holder |
| 4 | 9820049 | Bracket toilet drain bend holder |
| 5 | 9820139 | Seal for toilet drain bend/adapter |
| 6 | 9820135 | Toilet drain bend DN 90 (PP) |
| 7 | 9820051 | By-pack for brick-wall-mounted cistern (mounting material, etc.) |
| 8 | 9820057 | Connection set DN 90 for toilet |
| 9 | 9820011 | Flush pipe with O-ring, length 269 mm |
| 10 | 9820136 | Adapter DN 90/DN 100 (PP) |