

## TECE data sheet

Status as of 31.07.2019



### TECEprofil toilet module with Uni cistern, installation height 980 mm

Article number: 9300022

DU 1: 1 pc.  
DU 2: 10 pc.  
DU 3: 60 pc.

#### Description:

Toilet module for installation in a TECEprofil pre-wall or in front of a solid wall.

Completely pre-assembled unit, consisting of:

Uni cistern for front or top actuation:

- Safety tank made from impact-resistant plastic
- Cistern fully pre-assembled and sealed
- Cistern connection with 1/2" inner thread
- 10 litre tank volume; 6 litre preset standard flush volume; with the option of setting a 4.5/7.5/9 litre flush at any time; 3 litre low-volume flush for dual-flush system. Remaining volume can be used for immediate cleaning flush.
- Insulated against condensation water
- For TECE flush plates and toilet flush handle
- Can be set as a single or dual-flush cistern depending on the flush plate used
- Certified in accordance with DIN EN 14055
- Acoustic group 1 in accordance with DIN 4109
- Low-noise hydraulic filling valve

Module consisting of:

- Self-supporting installation frame, powder-coated
- Two M12 retaining bolts and nuts
- Two depth-adjustable module attachments
- Toilet drain bend DN 90 incl. joint adapter DN 90/100 made of PP
- Joint adapter also suitable for horizontal installation
- Toilet connection set DN 90, including protective plugs

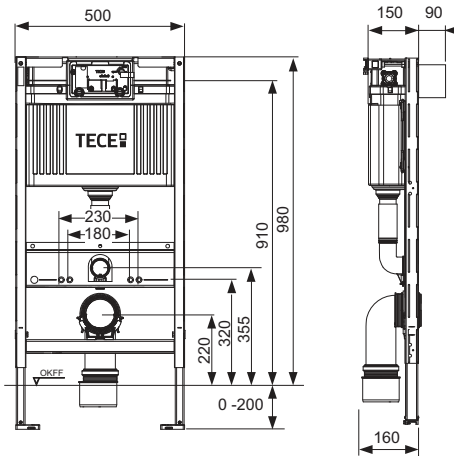
# TECE data sheet

Status as of 31.07.2019

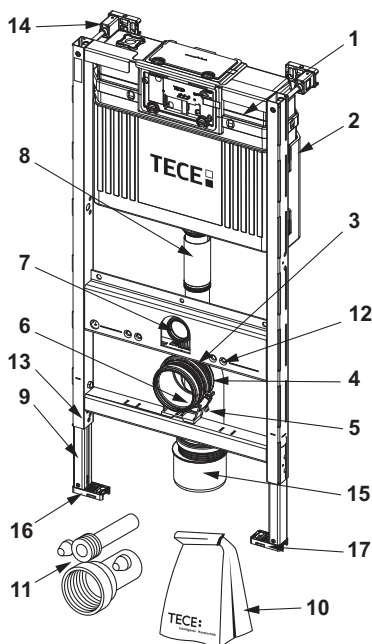
## Sales data:

TECEprofil toilet module with Uni cistern, installation height 980 mm

## Dimensional drawings:



## Spare parts:



- |    |         |  |
|----|---------|--|
| 1  | 9820101 | Uni cistern 980 mm   |
| 2  | 9820040 | Assembly kit for Uni cistern                                 |
| 3  | 9820041 | Toilet drain bend holder (up to 03/2017)                     |
|    | 9820348 | Toilet drain bend holder complete, underneath (from 04/2017) |
| 4  | 9820042 | Bracket for toilet drain bend holder (up to 03/2017)         |
| 5  | 9820134 | Toilet drain bend DN 90 (PP)                                 |
| 6  | 9820139 | Seal for toilet drain bend/adaptor                           |
| 7  | 9820015 | Flush pipe seal  |
| 8  | 9820099 | Shortened flush pipe, length 185 mm                          |
| 9  | 9820335 | C-section for module foot                                    |
| 10 | 9820043 | By-pack for toilet module (mounting material, etc.)          |
| 11 | 9820057 | Connection set DN 90 for toilet                              |
| 12 | 9820071 | Clinch nut   |
| 14 | 9380000 | Pre-wall attachment  |
| 15 | 9820136 | Adapter DN 90/DN 100 (PP)                                    |
| 16 | 9820332 | Module foot with toggle left                                 |
| 17 | 9820333 | Module foot with toggle right                                |