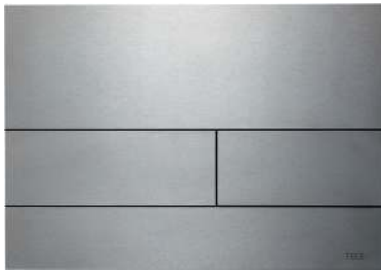


TECE data sheet

Status as of 31.07.2019



TECESquare metal toilet flush plate for dual-flush system

Article number: 9240810

Color: Brushed stainless steel (with anti-fingerprint)

Exhibition samples: —

DU 1: 1 pc.

DU 2: 10 pc.

Description:

Flush plate for TECE cisterns, for front or top actuation. Extra-flat metal flush plate with two spring-mounted actuation rocker buttons, installation height 2 mm.

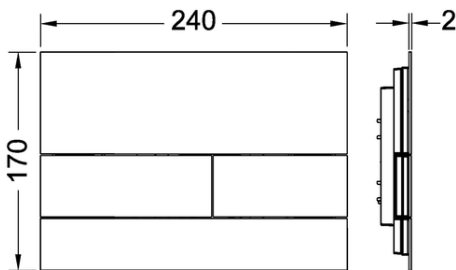
Compatible with insert chute for cleaning tablets.

Dimensions (W x H x D): 240 x 170 x 2 mm

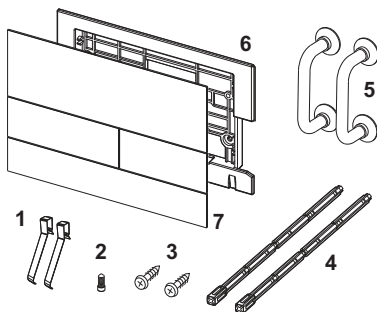
Sales data:

TECESquare metal toilet flush plate brushed stainless steel dual-flush sys.

Dimensional drawings:



Spare parts:



- | | | |
|---|---------|----------------------------------|
| 1 | 9820253 | Push-button springs, set of two |
| 2 | 9820249 | Safety bolt |
| 3 | 9820263 | Fastening screw |
| 4 | 9820022 | Actuation rods |
| 5 | 9820180 | Bow-type handles |
| 6 | 9820328 | Support frame |
| 7 | 9820391 | TECESquare metal stainless steel |