

TECEsquare glass toilet flush plate for dual-flush system

Article number: 9240801

Colour: Polished white glass, brushed stainless steel buttons (with anti-fingerprint)

Exhibition samples: Yes

DU 1: 1 pc.

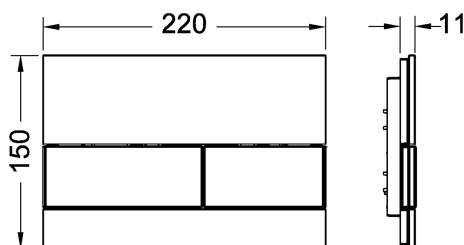
DU 2: 10 pc.

Description:

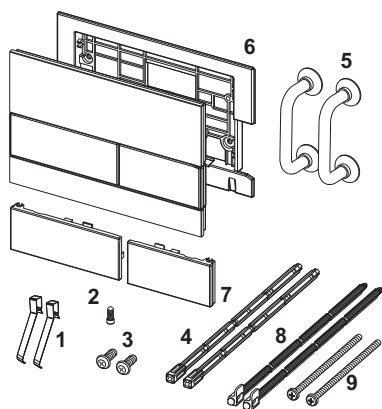
Flush plate for TECE cisterns, for front or top actuation. Flat glass flush plate with two spring-mounted actuation rocker buttons. Suitable for flush-mounted installation in combination with toilet installation frame for flush-mounted install (e.g. Order No. 9240649). Compatible with insert chute for cleaning tablets. Dimensions (W x H x D): 220 x 150 x 11 mm

Sales data:

Product name: TECEsquare toilet flush plate dual-flush system, polished white glass, brushed stainless steel buttons (with anti-fingerprint)
 Commodity group: 904
 Product group: 2009040060



Spare parts:



- 1 9820253 Push-button springs, set of two
- 2 9820249 Safety bolt
- 3 9820263 Fastening screws
- 4 9820022 Actuation rods
- 5 9820180 Bow-type handles
- 6 9820328 Support frame
- 7 9820559 Flush buttons, brushed stainless steel look
- 8 9820498 "easy fit" actuation rods
- 9 9820497 "easy fit" attachment screws