

TECE data sheet

Status as of 31.07.2019



Installation frame for flush-mounted installation

Article number: 9240647

Color: Black

Exhibition samples: Yes

DU 1: 1 pc.

DU 2: 20 pc.

Description:

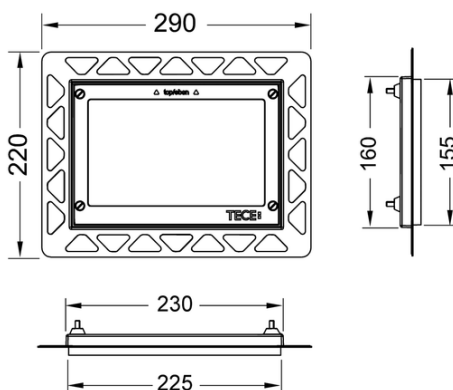
Installation kit for flush-mounted installation of toilet flush plates TECEloop/TECESquare glass, TECElux Mini as well as TECEnow. Depth-adjustable tile frame for wall coverings from 5-18 mm (from 18-33 mm with adjustment bolt - Order No. 9820181). Including disassembly tool for flush plate.

Installation frame required during shell assembly!

Sales data:

TECE toilet installation frame for flush-mounted installation, black

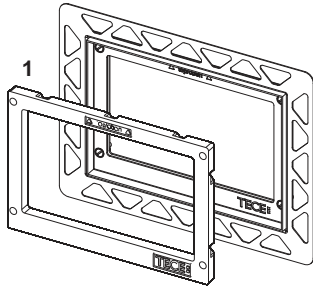
Dimensional drawings:



TECE data sheet

Status as of 31.07.2019

Spare parts:



- 1 9820196 Toilet support frame for flush-mounted installation