

**TECEplanus toilet electronics with IR sensor, 12 V mains**

Article number: 9240352

Colour: Brushed stainless steel

DU 1: 1 pc.

Description:

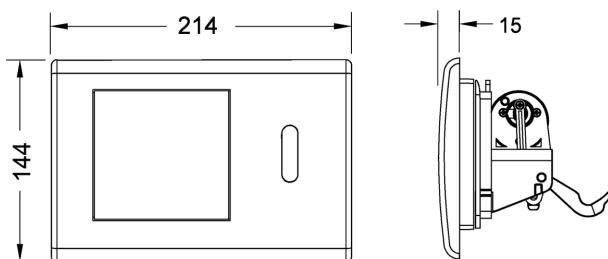
For touch-free flush actuation of TECE cisterns. Suitable for all TECE cisterns (installation depth 13 cm) with actuation from the front and actuation height of approx. 1 m.

Consisting of:

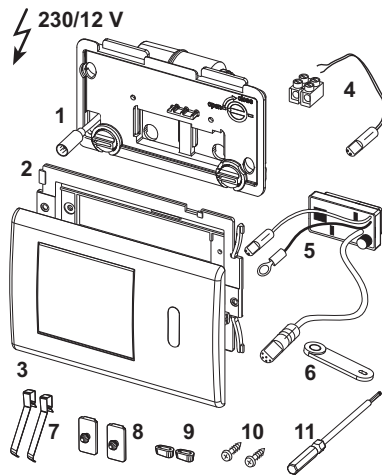
- Autofocus infra-red sensor with two recognition areas for the recognition of standing or sitting persons
- Flush plate made of stainless steel for optional manual flush triggering
- Mains operation by external 230/12 V transformer (not contained in the scope of delivery)
- Electric lifting device with servo-motor completely mounted on the actuation block
- Pre-set flush volume 4.5/6/7.5 or 9 litres
- Actuation rod and mounting materials
- Programming key
- Hygiene function can be configured

Sales data:

Product name: TECEplanus toilet electronics with IR sensor, 230/12 V mains, brushed stainless steel
Commodity group: 904
Product group: 2009040030



Spare parts:



- | | | |
|----|---------|-------------------------------------|
| 1 | 9820140 | Motor with splash guard |
| 2 | 9820327 | Support frame |
| 3 | 9820199 | Flush plate brushed stainless steel |
| 4 | 9820094 | Mains connection adapter |
| 5 | 9820201 | IR sensor, 12 V |
| 6 | 9820080 | Programming key |
| 7 | 9820020 | Push-button springs, set of two |
| 8 | 9820021 | Locking rubber |
| 9 | 9820024 | Rubber buffer, set of two |
| 10 | 9820263 | Fastening screws |
| 11 | 9820091 | Hollow hexagon wrench |