

TECE data sheet

Status as of 31.07.2019



TECEplanus toilet electronics with IR sensor, 6 V battery

Article number: 9240350

Color: Brushed stainless steel

DU 1: 1 pc.

Description:

For touch-free flush actuation of TECE cisterns. Suitable for all TECE cisterns (installation depth 13 cm) with actuation from the front and actuation height of approx. 1 m.

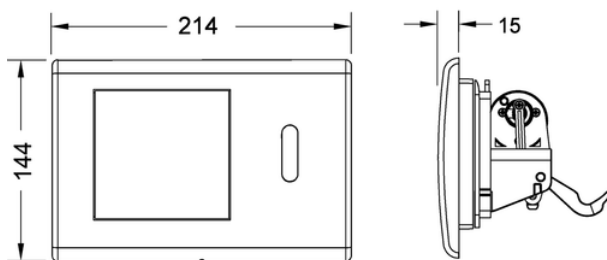
Consisting of:

- Autofocus infra-red sensor with two recognition areas for the recognition of standing or sitting persons
- Flush plate made of stainless steel for optional manual flush triggering
- Water-proof battery compartment including lithium battery, type 2CR5, 6 VDC
- Electric lifting device with servo-motor completely mounted on the actuation block
- Pre-set flush volume 4.5/6/7.5 or 9 litres
- Actuation rod and mounting materials
- Programming key
- Hygiene function can be configured

Sales data:

TECEplanus toilet electronics with IR sensor, 6 V battery, stainless steel

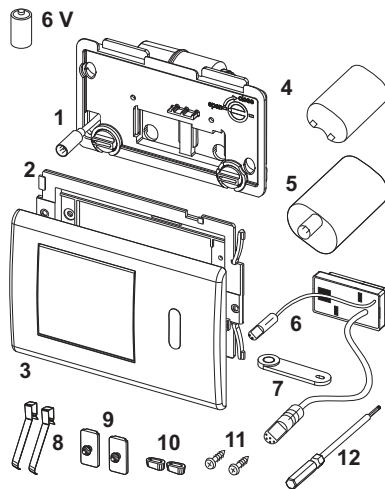
Dimensional drawings:



TECE data sheet

Status as of 31.07.2019

Spare parts:



1	9820140	Motor with splash guard
2	9820327	Support frame
3	9820199	Flush plate, brushed stainless steel
4	9820092	6 V battery 2CR5
5	9820195	Battery housing
6	9820198	IR sensor, 6 V
7	9820080	Programming key
8	9820020	Push-button springs, set of two
9	9820021	Locking rubber
10	9820024	Rubber buffer, set of two
11	9820263	Fastening screw
12	9820091	Hollow hexagon wrench