

TECEplanus toilet flush plate for dual-flush system

Article number: 9240321

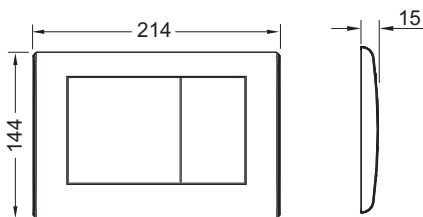
Colour: Bright chrome
 Exhibition samples: Yes
 DU 1: 1 pc.
 DU 2: 10 pc.

Description:

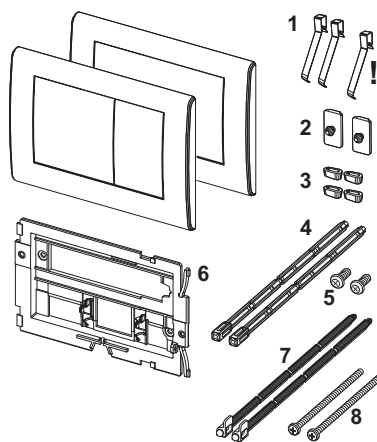
Stainless steel flush plate for TECE cisterns, for front or top actuation, attached with concealed screws. Stop collar with rubber inlays on both sides. Incl. actuating rods and mounting material. Compatible with insert chute for cleaning tablets. Dimensions (W x H x D): 214 x 144 x 15 mm

Sales data:

Product name: TECEplanus toilet flush plate bright chrome dual-flush system
 Commodity group: 904
 Product group: 2009040020



Spare parts:



- | | | |
|---|---------|---------------------------------|
| 1 | 9820020 | Push-button springs, set of two |
| 2 | 9820021 | Locking rubber |
| 3 | 9820024 | Rubber buffer, set of two |
| 4 | 9820022 | Actuation rods |
| 5 | 9820263 | Fastening screws |
| 6 | 9820327 | Support frame |
| 7 | 9820498 | "easy fit" actuation rods |
| 8 | 9820497 | "easy fit" attachment screws |