

TECE data sheet

Status as of 31.07.2019



TECEplanus toilet flush plate for single-flush system

Article number: 9240311

Color: Bright chrome

Exhibition samples: Yes

DU 1: 1 pc.

DU 2: 10 pc.

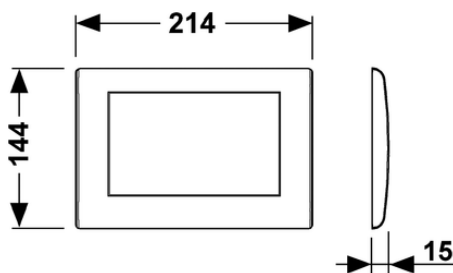
Description:

Stainless steel flush plate for TECE cisterns, for front or top actuation, attached with concealed screws. Stop collar with rubber inlays on both sides. Incl. actuation rod and mounting material. Compatible with insert chute for cleaning tablets. Dimensions (W x H x D): 214 x 144 x 15 mm

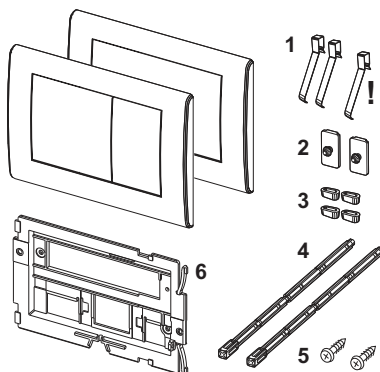
Sales data:

TECEplanus toilet flush plate bright chrome single-flush system

Dimensional drawings:



Spare parts:



- | | | |
|---|---------|---------------------------------|
| 1 | 9820020 | Push-button springs, set of two |
| 2 | 9820021 | Locking rubber |
| 3 | 9820024 | Rubber buffer, set of two |
| 4 | 9820022 | Actuation rods |
| 5 | 9820263 | Fastening screw |
| 6 | 9820327 | Support frame |