

TECE data sheet

Status as of 31.07.2019



TECEambia toilet flush plate for single-flush system

Article number: 9240126

Color: Bright chrome

Exhibition samples: —

DU 1: 1 pc.

DU 2: 10 pc.

Description:

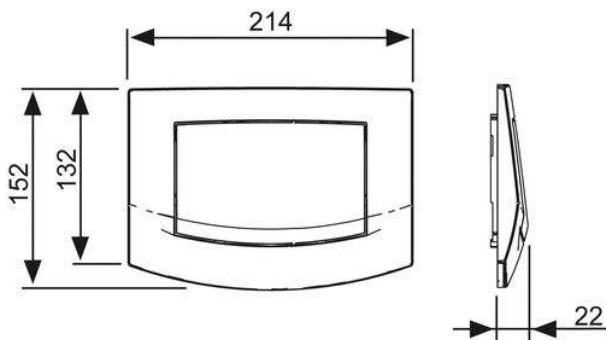
Flush plate for TECE cisterns, for front or top actuation. Plastic flush plate, button with rubber inlays on both sides. Incl. actuating rod and mounting material. Compatible with insert chute for cleaning tablets.

Dimensions (W x H x D): 214 x 152 x 22 mm

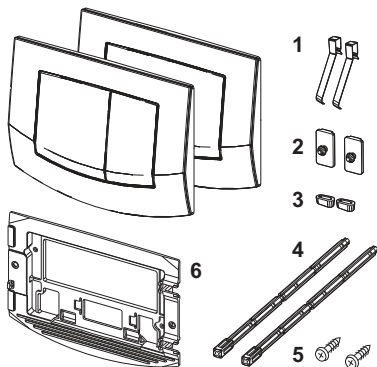
Sales data:

TECEambia toilet flush plate bright chrome single-flush system

Dimensional drawings:



Spare parts:



- | | | |
|---|---------|---------------------------------|
| 1 | 9820020 | Push-button springs, set of two |
| 2 | 9820021 | Locking rubber |
| 3 | 9820024 | Rubber buffer, set of two |
| 4 | 9820022 | Actuation rods |
| 5 | 9820263 | Fastening screw |
| 6 | 9820326 | Support frame |