

PuraVida

PV 9201

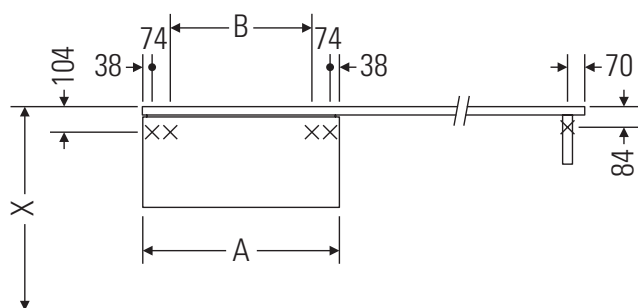
Installation instructions



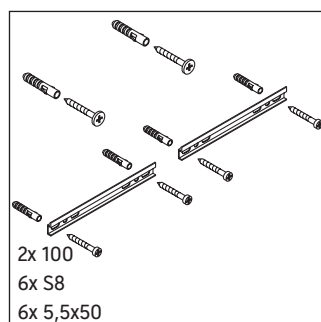
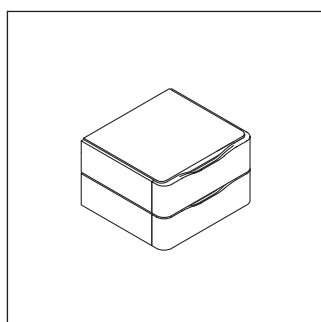
Observe the drilling dimensions!



Follow all other installation instructions!



A	B
mm	mm
600	376



Instructions for use

The bathroom furniture range complies with the standards and guidelines applicable at the time of delivery and is designed for use in bathrooms. Direct contact with water should be avoided, for example, when showering.

The base cabinet cannot be arranged in a row.

We reserve the right to make technical improvements and design modifications to the products illustrated.

