

SPECIFICATION: (EXAMPLE)

- **HEAVY-DUTY**, back inlet supply
 - **CAST BRASS** valve for 3/4" IP spud urinal
 - Polished chrome plated finish
 - Delta[®] slow close cartridge, factory set for 0.5 gallon (1.9 litres) flush
 - Chrome plated union inlet stop and inlet cover tube
 - Brass oscillating lever handle
 - Set screw wall flange, spud flange, outlet tube
 - **1/2" universal FIP/copper sweat inlet**
- For Washdown Urinals**

86T505 



86T505

SPECIFICATION: (EXAMPLE)

- **HEAVY-DUTY**, back inlet supply
 - **CAST BRASS** valve for 3/4" IP spud urinal
 - Polished chrome plated finish
 - Delta[®] slow close cartridge, factory set for 0.5 gallon (1.9 litres) flush
 - Brass oscillating lever handle
 - Inlet cover tube
 - Spud flange, outlet tube
 - **1/2" universal FIP/copper sweat inlet**
- For Washdown Urinals**

86T502 

SPECIFICATION: (EXAMPLE)

- **HEAVY-DUTY**, top inlet supply
 - **CAST BRASS** valve for 3/4" IP spud urinal
 - Polished chrome plated finish
 - Delta[®] slow close cartridge, factory set for 0.5 gallon (1.9 litres) flush
 - Brass oscillating lever handle
 - Spud flange, outlet tube
 - **1/2" universal FIP/copper sweat inlet**
- For Washdown Urinals**

86T503 



86T503

SPECIFICATION: (EXAMPLE)

Vacuum breaker assembly for above urinal valves

86T610



86T610

INSTALLATION WARNING:

Models supplied LESS vacuum breakers must be installed on fixtures providing sufficient air gap protection against backflow.

Engineer/Architect Approval	
Model Specified:	
Approval:	Date:


Flush Valve for Washdown Urinals

TECK
COMMERCIAL

DELTA



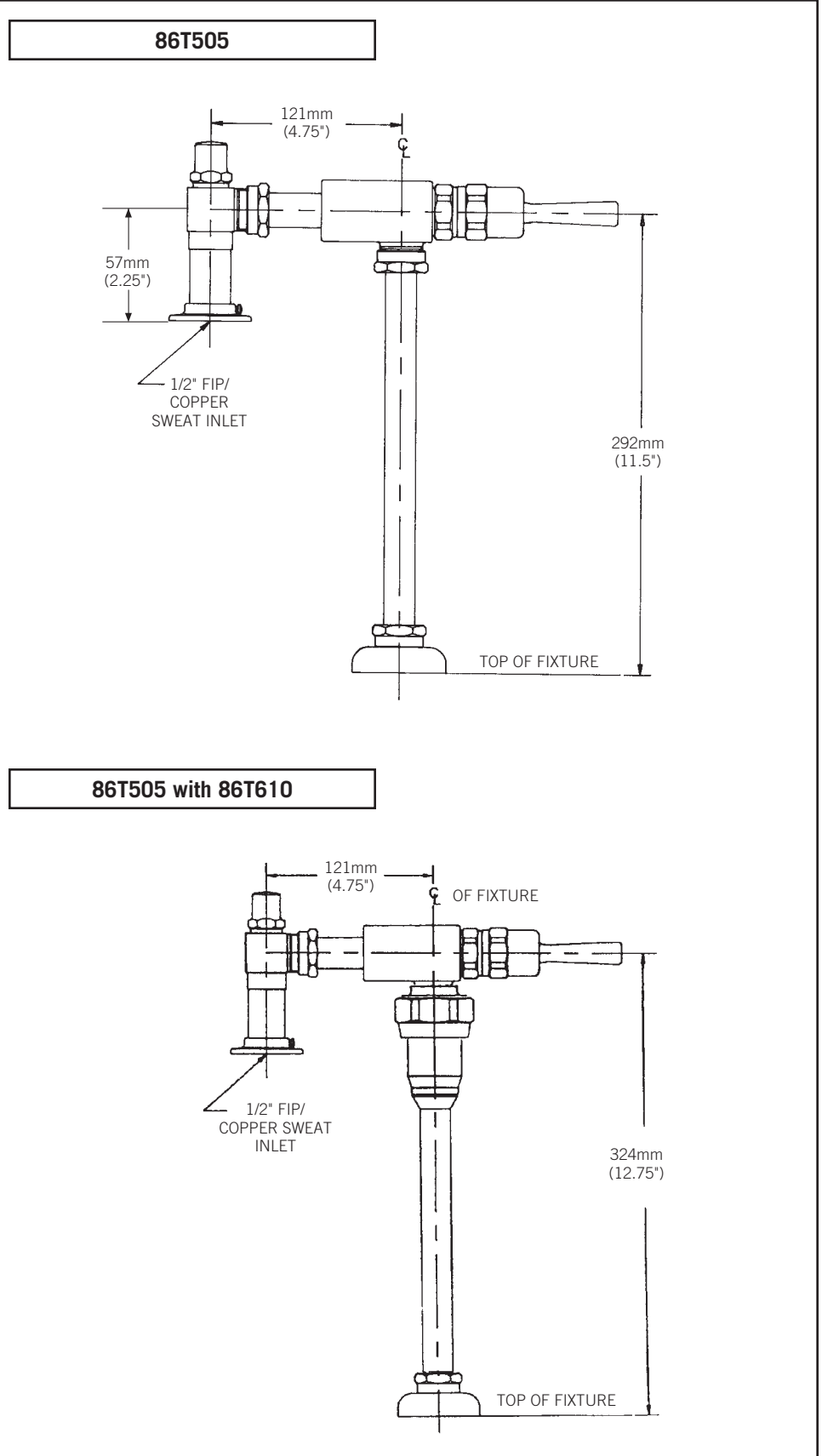
APPROVALS:

- IAPMO listed to ASSE 1037/
ASME A112.1037/CSA B125.37
-  Lever Handle
Indicates compliance to
ICC/ANSI A117.1

(Contact Delta Representative for State and/or
Local Approvals.)

060514A

- Optional 16" long outlet tube –
order separately



INLETS - 1/2" FIP/Copper

Note: Measurements may vary ± 6 mm (0.25")

Refer to www.specselect.com for individual models.

Note: Use this page front and back as a product submittal sheet.