

# Concealed TECK® Flush Valve

**TECK®**  
COMMERCIAL

**DELTA**

## SPECIFICATION: (EXAMPLE)

### (FOR 1-1/2" FREE-STANDING, BACK INLET CLOSET FIXTURE)

- TECK® concealed diaphragm flush valve
- Chloramine resistant diaphragm
- Forged brass diaphragm retainer
- Renewable seat
- **External water conserving flush volume adjustment,**  
(except -48 and -6 models) factory set to 6 litre (1.6 gal.)
- Metal "non hold open" handle actuator
- Vandal resistant handle control can easily be located and installed anywhere within 6m (20') of flush valve
- Standard flush valve will install on all walls zero to 318mm (12-1/2") thick
- **1" FIP/copper sweat inlet adaptor** wheel handle angle check stop
- Adjustable 121mm (4-3/4") plus or minus 11mm (7/16") inlet/valve outlet centers
- Vacuum breaker
- Wall and spud flanges, concealed spud nut
- **Recommended water supply:**  
Minimum flowing pressure – 25 psi (172 kPa)  
Minimum flow rate – 25 gpm (95 L/min)

#### □ 83T240

with 16mm (5/8") dia. push button


#### □ 83T241

with oscillating handle

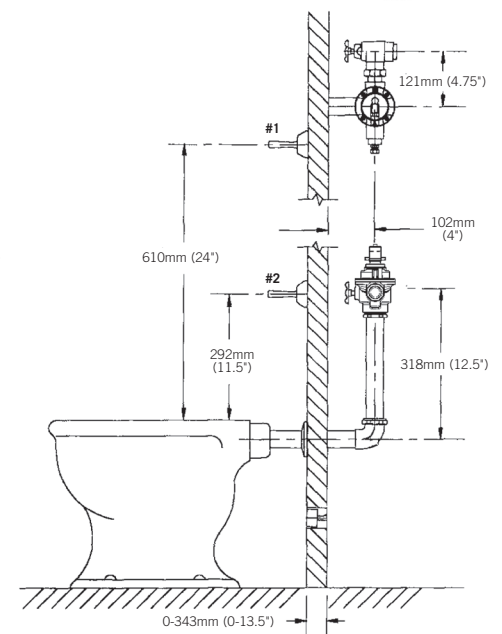
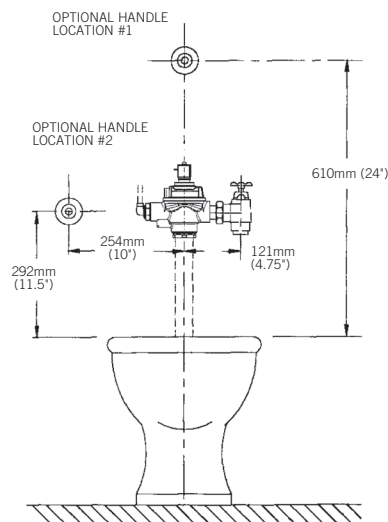
83T241



## APPROVALS:

- IAPMO listed to ASSE 1037/ ASME A112.1037/ CSA B125.37
-  Indicates compliance to ICC/ANSI A117.1

(Contact Delta Representative for State and/or Local Approvals.)



### Engineer/Architect Approval

Model Specified:

Approval:

Date:

Note: Measurements may vary  $\pm$  6mm (0.25")

Note: For high and low pressure applications, please see page FEA-81T High Water Pressure note for more details.  
Verify flow requirements with bowl manufacturer.