



Flush Valves

Flush valve for Exposed 1-1/4" top inlet flushing urinal
maximum 11.5" or 12.8" height(C\L of inlet to top of urinal)

Model No: 81T291-1

COMPLIES WITH:

- IAPMO listed to CSA B125.3/ ASSE 1037.
- ADA compliant to meet Handicapped Accessibility Standard ICC/ANSI A117.1 of less than 5 lbs operating force
- (Contact Delta Representative for State and/or Local Approvals)



NOTES:

To convert 81T291 Flush Valves to Electronic, contact Technical Service.

For complete listing of Electronic Flush Valve models, see Electronic Flush Valves & Retrofit Kits

SPECIFICATION:

- Quiet action, Teck® exposed diaphragm flush valve
- Polished chrome plated finish
- Vandal resistant cover screw
- Metal "non hold open" ADA Compliant oscillating handle
- Vacuum breaker
- Renewable seat
- Chloramine resistant diaphragm attached to guide with forged metal retainer.
- Spud flange and concealed spud nut
- For flushing urinals with 1 1/4" top spud
- Maximum 292mm(11.5") from centerline of valve inlet to top of urinal, except -1 trap seal models which are maximum 325mm or 12.8"
- External water conserving flush volume adjustment
- 1" FIP/1" Copper sweat inlet adaptor for angle check stop with protecting cap
- Adjustable 121mm (4.75") plus or minus 11mm (7/16") inlet/valve outlet centers
- Cover tube and wall flange
- Factory Set to 2.7 Litre (0.70 GAL.) - FIELD ADJUSTABLE from 0.47 to 3.78 Litre (1/8 to 1.0 GAL.)
- Trap Seal Primer/Disinfectant Tee in outlet tube

OPERATION:

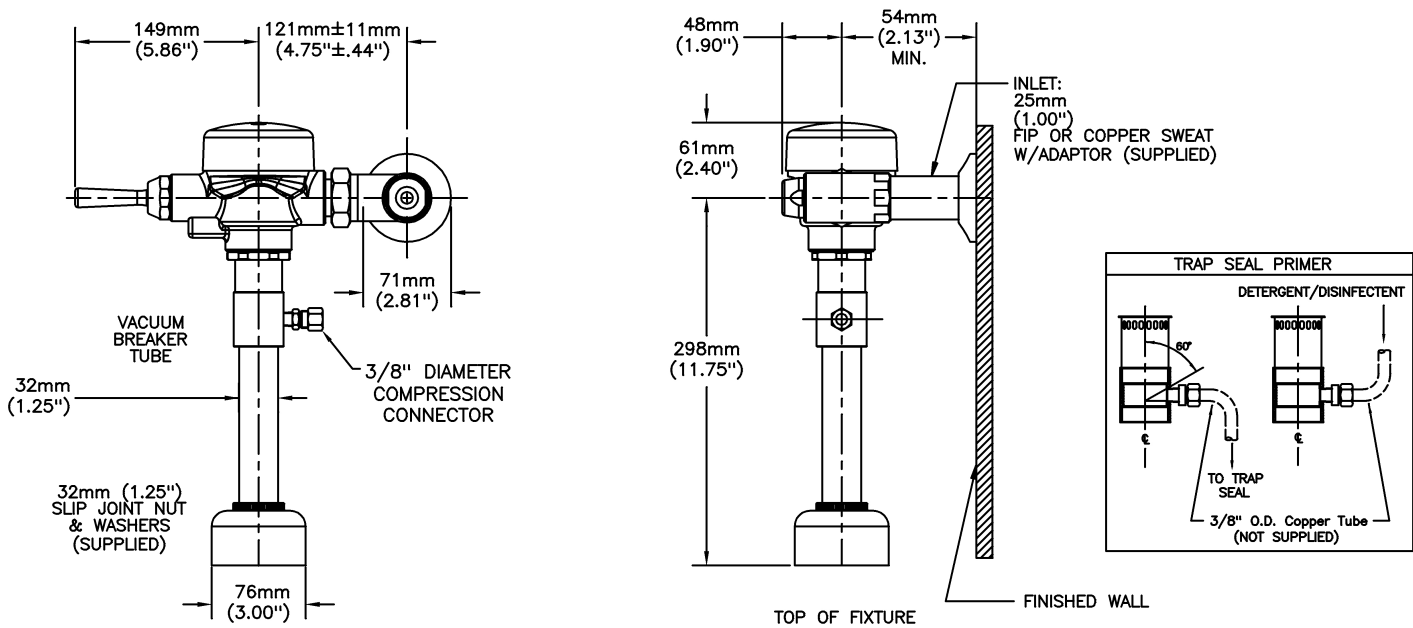
- Not Available

(Dimensional drawing on following page)

Delta reserves the right (1) to make changes to specifications and materials, and (2) to change or discontinue models, both without notice or obligation. Dimensions are for reference. Measurement may vary plus or minus 6mm(0.25"). Mounting locations are suggested only. Check with local codes for requirements in your area. This spec was produced July 22, 2013.

Delta Faucet Company - 55 East 111th St. - Indianapolis, Indiana, USA 46280 - (317) 848-1812
Delta Faucet Canada - 395 Matheson Blvd E - Mississauga, Ontario, Canada L4Z 2H2 - (905) 712-3030

Model No: 81T291-1



Delta reserves the right (1) to make changes to specifications and materials, and (2) to change or discontinue models, both without notice or obligation. Dimensions are for reference. Measurement may vary plus or minus 6mm(0.25"). Mounting locations are suggested only. Check with local codes for requirements in your area. This spec was produced July 22, 2013.

Delta Faucet Company - 55 East 111th St. - Indianapolis, Indiana, USA 46280 - (317) 848-1812
 Delta Faucet Canada - 395 Matheson Blvd E - Mississauga, Ontario, Canada L4Z 2H2 - (905) 712-3030