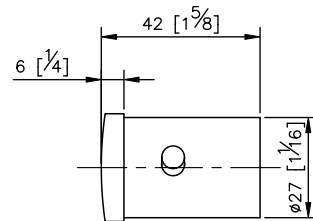
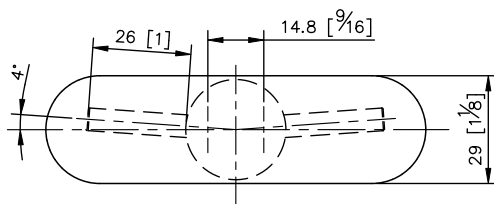
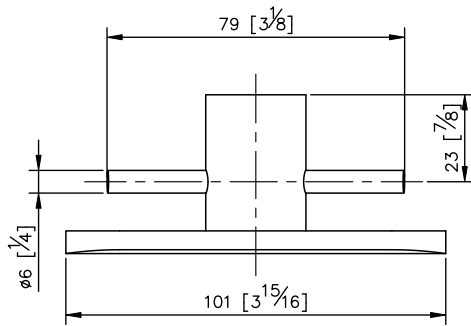


unit: mm[inch]



Mounting Template Specification

