

**TECEdrainline angled channel with Seal System sealing tape**

Article number: 611000

Nominal length: 1000 x 1000 mm

Total length L: 1046 x 1046 mm

Visible dim. after installation L - 70 mm: 978 x 978 mm

Width in unfinished state: 156 mm

Visible width

after installation: 76 mm

DU 1: 1 pc.

DU 2: 9 pc.

**Description:**

Channel body with 90° angled version for installation in the screed, with flange and Seal System sealing tape for creating an independently tested connection of the TECEdrainline shower channel to the composite seal.

Consisting of:

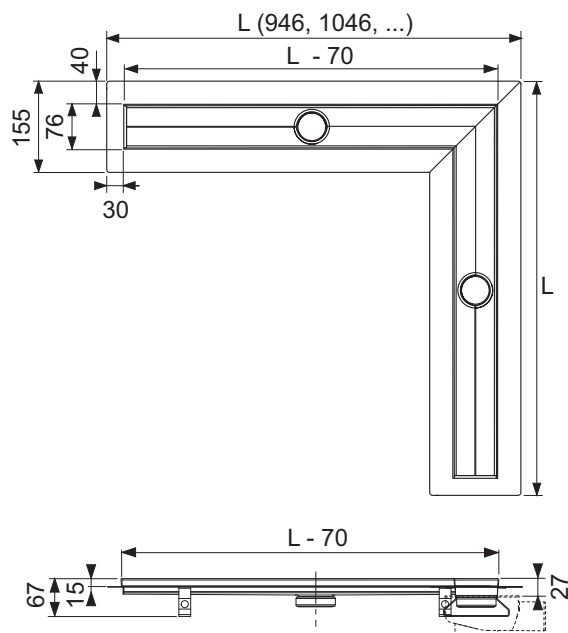
- Channel body with flange made of polished stainless steel, material 1.4301 (304)
- Seal System sealing tape with matting for installation by the customer in the liquid or strip composite seal
- Connecting clips for anchoring in the screed and fitting of optional assembly feet
- Two connection pieces for drains
- Internal incline for improved water drainage and self-cleaning effect
- Seals

**Sales data:**

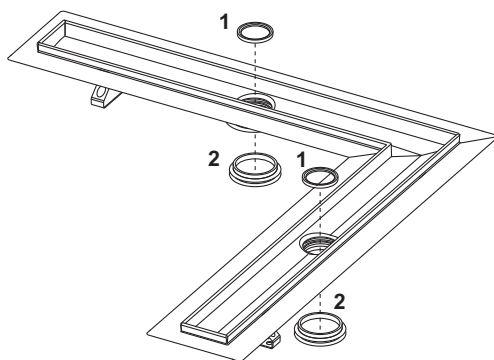
Product name: TECEdrainline angled channel 1000 x 1000 mm with Seal System sealing tape

Commodity group: 600

Product group: 3006000010



Spare parts:



- |   |        |  |
|---|--------|--|
| 1 | 668012 | Immersion pipe seal                        |
| 2 | 668013 | Seal between channel and drain, until 2015 |