

Mixing Surgeon Scrub-Up Valves

TECK
COMMERCIAL

DELTA

SPECIFICATION: (EXAMPLE)

- Forged brass, **self-close foot pedal valve**
- Polished chrome-plated finish trim
- Indexed pedals
- Heavy duty rigid/swivel gooseneck spout and ... with ... (add control required)
with ... (add spout required)
with ... (add outlet required)

54T5432A



Engineer/Architect Approval

Model Specified:

Approval:

Date:

MODEL NUMBER EXAMPLE:

Configurations vary, see below for availability.

54T5322A-R4



AVAILABLE MODELS		VARIATION				
		3 Wall Hung Double Foot Pedal Valve with Inlet & Outlet Stops		4 Double Floor Mount Foot Pedal Valve		
		SPOUT			SPOUT	
		0 No Spout (Valve ONLY)	2 Wallmount (R2) Gooseneck Spout 4.5" (114 mm) long	3 Deckmount (R2) Gooseneck Spout 4.5" (114 mm) long 12.2" (310 mm) high	0 No Spout (Valve ONLY)	3 Deckmount (R2) Gooseneck Spout 4.5" (114 mm) long 12.2" (310 mm) high
OUTLET	0 No Outlet (Valve ONLY)	54T5300A			54T5400A	
	2 Vandal Resistant Laminar Outlet 1.5 gpm (5.7 L/min)		54T5322A	54T5332A		54T5432A 54T5432A-R6
	4 Standard Aerator Outlet 1.5 gpm (5.7 L/min)		54T5324A	54T5334A		54T5434A
	7 Smooth End, Laminar Outlet 1.0 gpm (3.8 L/min)		54T5327A	54T5337A		54T5437A

Refer to www.specselect.com for individual models.

Flow Rates are at 60 PSI.
Note: Use this page front and back as a product submittal sheet.

Delta reserves the right (1) to make changes in specifications and materials, and (2) to change or discontinue models, both without notice or obligation. Dimensions are for reference only. See current full-line price book or www.specselect.com for finish options and product availability.



DSP-54T5 Rev. M

Mixing Surgeon Scrub-Up Valves

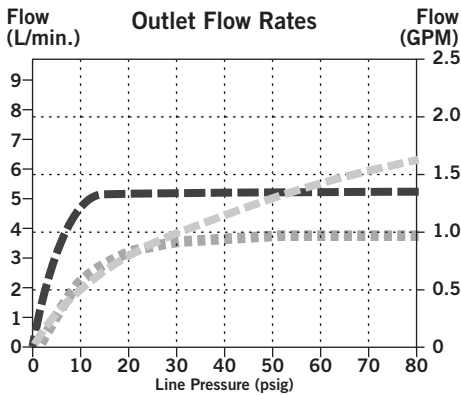
TECK
COMMERCIAL

DELTA

APPROVALS:

- CSA certified
- Complies to ASME A112.18.1/CSA B125.1
- For commercial use only
-  Foot Pedal Control No. 3
Indicates compliance to ICC/ANSI A117.1
-  Outlet options 2, 4 and 7 are EPA WaterSense listed
- Verified compliant with 0.25% weighted average Pb content regulations
(Contact Delta Representative for State and/or Local Approvals.)

FLOW RATE vs PRESSURE



Spout Outlets

- No. 4 Aerator
- No. 2 Laminar Flow Outlet
- No. 7 Flow Control

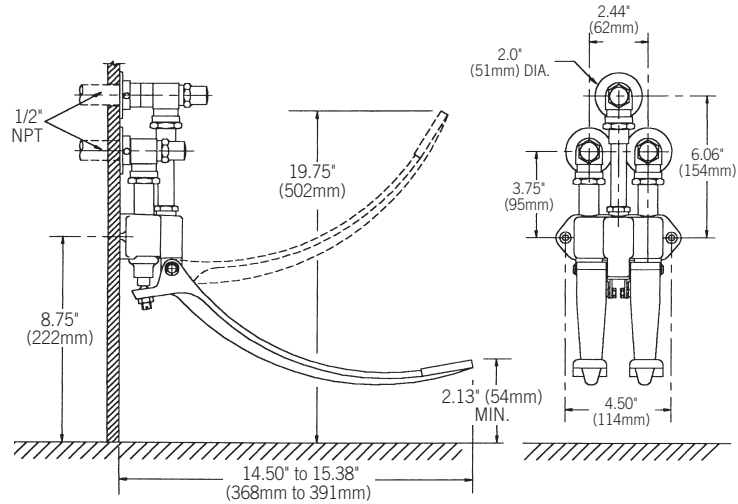
Note: It is recommended that each supply line be equipped with a water hammer arrestor installed per manufacturer's instructions.

FOR OPTIONAL RIGID/SWIVEL & LIMITED SWING SPOUTS

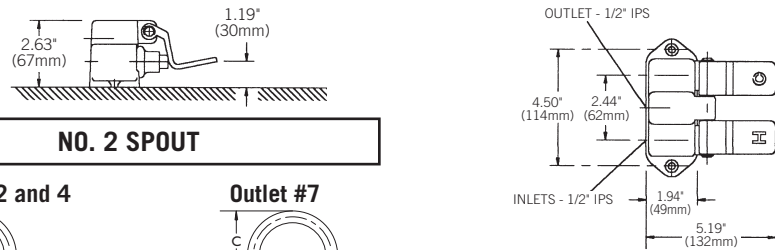
See DSP-R/S for detailed specification.

Note: Measurements may vary ± 6mm (0.25")

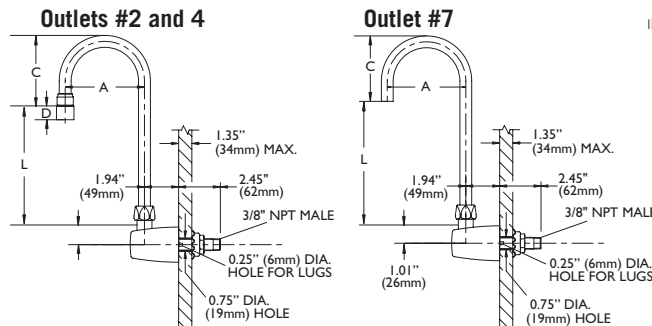
NO. 3 CONTROL



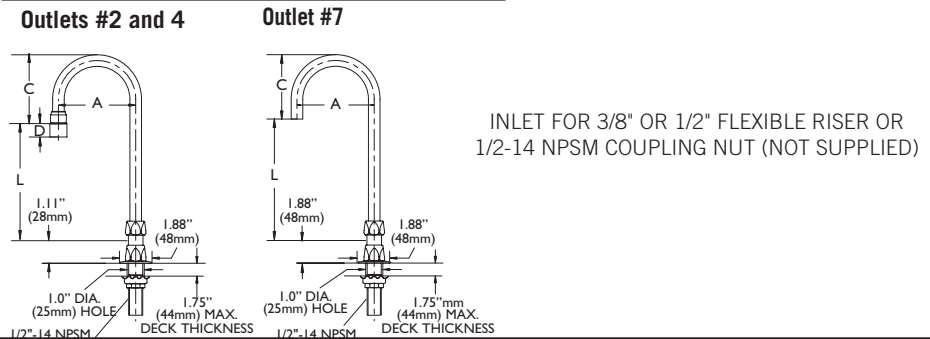
NO. 4 CONTROL



NO. 2 SPOUT



NO. 3 SPOUT



GOOSENECK SPOUT ASSEMBLIES

SPOUT NO.	SPOUT/OUTLET	"A"		"C"		"L"	
		in.	mm	in.	mm	in.	mm
2 & 3	Gooseneck-Standard (R2) for Outlet #2 and 4	4.5	114	4.1	104	6.7	170
2 & 3	Gooseneck-Standard (R2) for Outlet #7	4.5	114	3.8	97	7.0	178

OUTLET NO.	"D"	
	in.	mm
2	0.69	18
4	0.67	17

Refer to www.specselect.com for individual models.

Note: Use this page front and back as a product submittal sheet.