

Cup-shaped trap easy to install

Surfaces: **Chrome** Article Number: **52010000**



Description

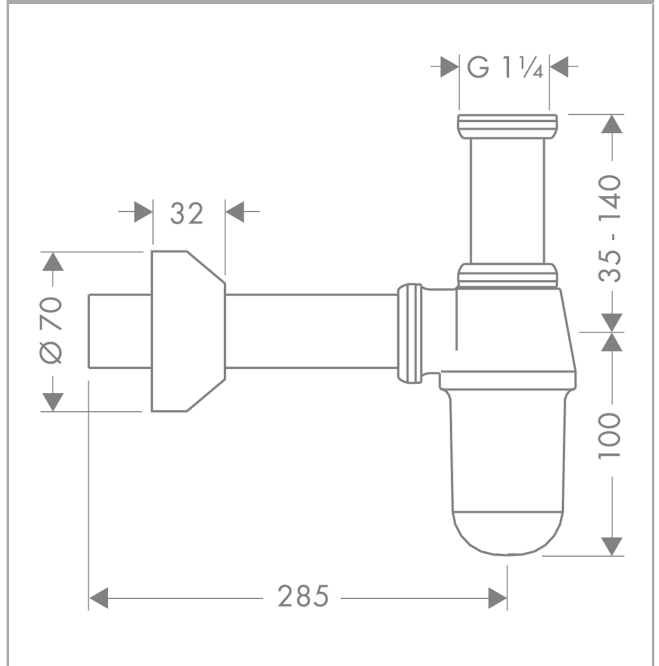
product features

- adjustment distance 35 - 140 mm
- distance to wall 285 mm
- connection dimension entry: G 1¼

Product image



Scale drawing



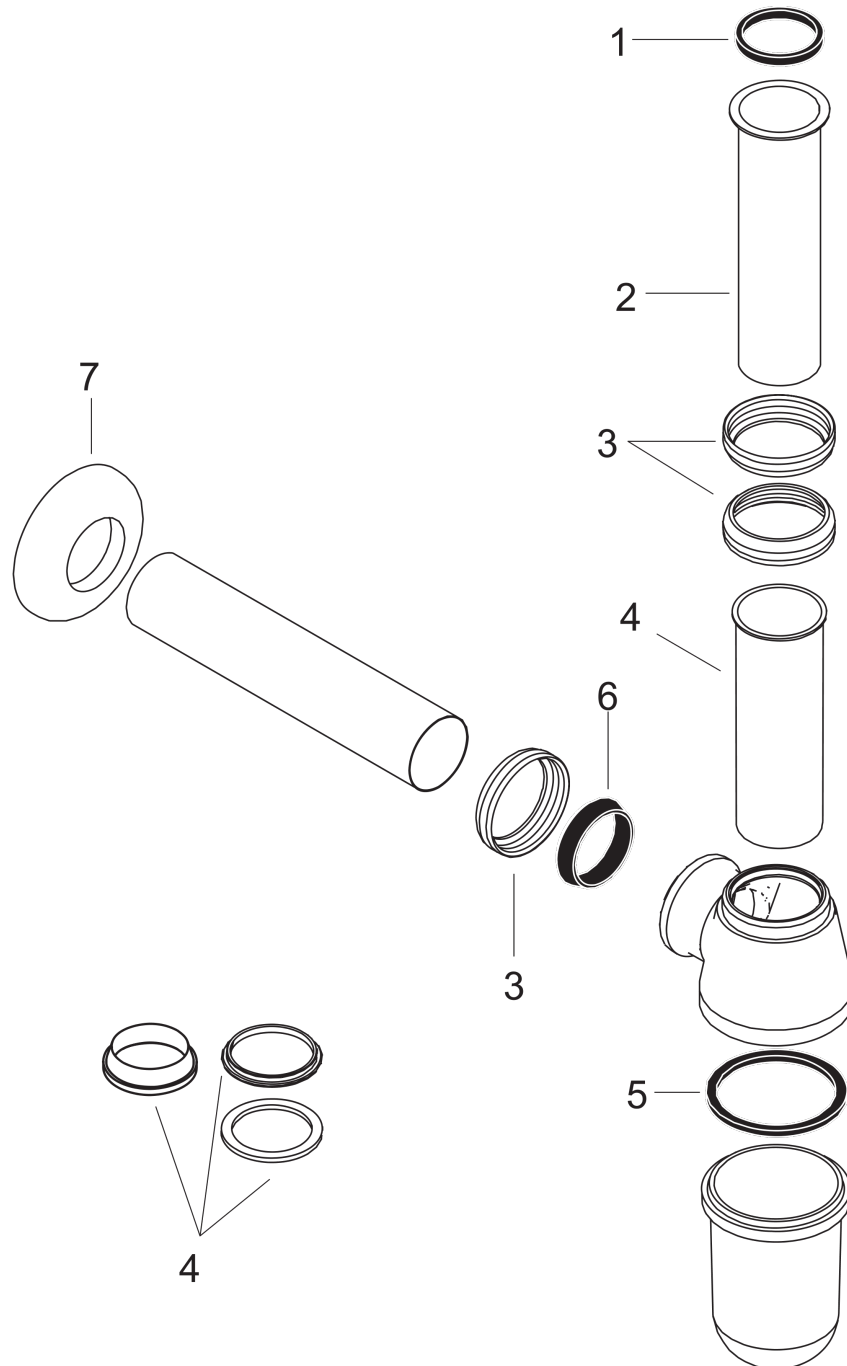
Cup-shaped trap easy to install

Surfaces: **Chrome** Article Number: **52010000**



Exploded Drawing

Year of production: >09/82



Cup-shaped trap easy to install

Surfaces: **Chrome** Article Number: **52010000**



Spare part list

Year of production: >09/82

Pos.	Description	Article Number	PC	PU
1	seal 1¼"	53971000	1	1
2	pipe 1¼" 300 mm	53428000	98	1
3	hand nut 1¼"	53951000	1	1
4	dip tube set 1¼" 100 mm	94203000	2	1
5	hose ring 50x54,5x3	53982000	1	1
6	wedge-shaped seal 1¼"	53985000	1	1
7	flange 1¼"x65x15	53964000	2	1