

## AXOR Citterio

**3-hole basin mixer for concealed installation wall-mounted with spout 162 mm, lever handles and escutcheons**

Surfaces: **Chrome** Article Number: **39315000**



### Description

#### product features

- consists of: 3-hole basin mixer for concealed installation wall-mounted, waste set
- projection 162 mm
- normal spray
- flow rate at 3 bar: 5 l/min
- ceramic valves hot/ cold 90°
- suitable for continuous flow water heaters
- non-closing waste set
- connection dimension: DN15

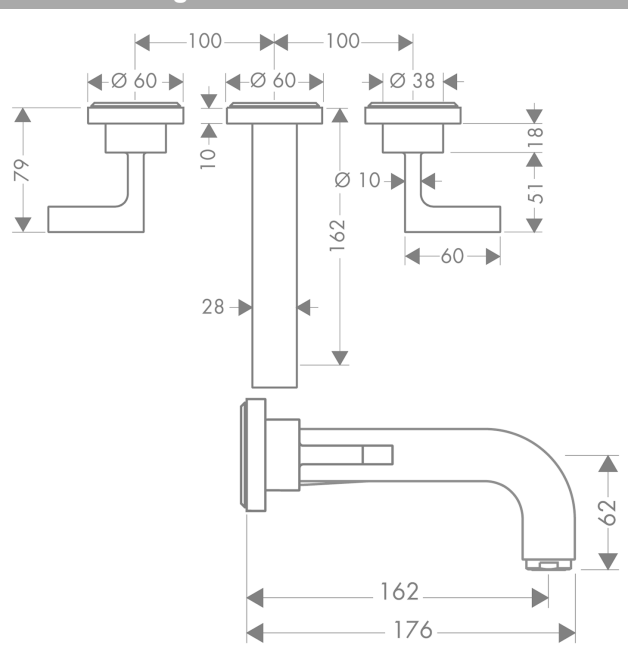
### Technology



### Product image



### Scale drawing



### Flowchart

