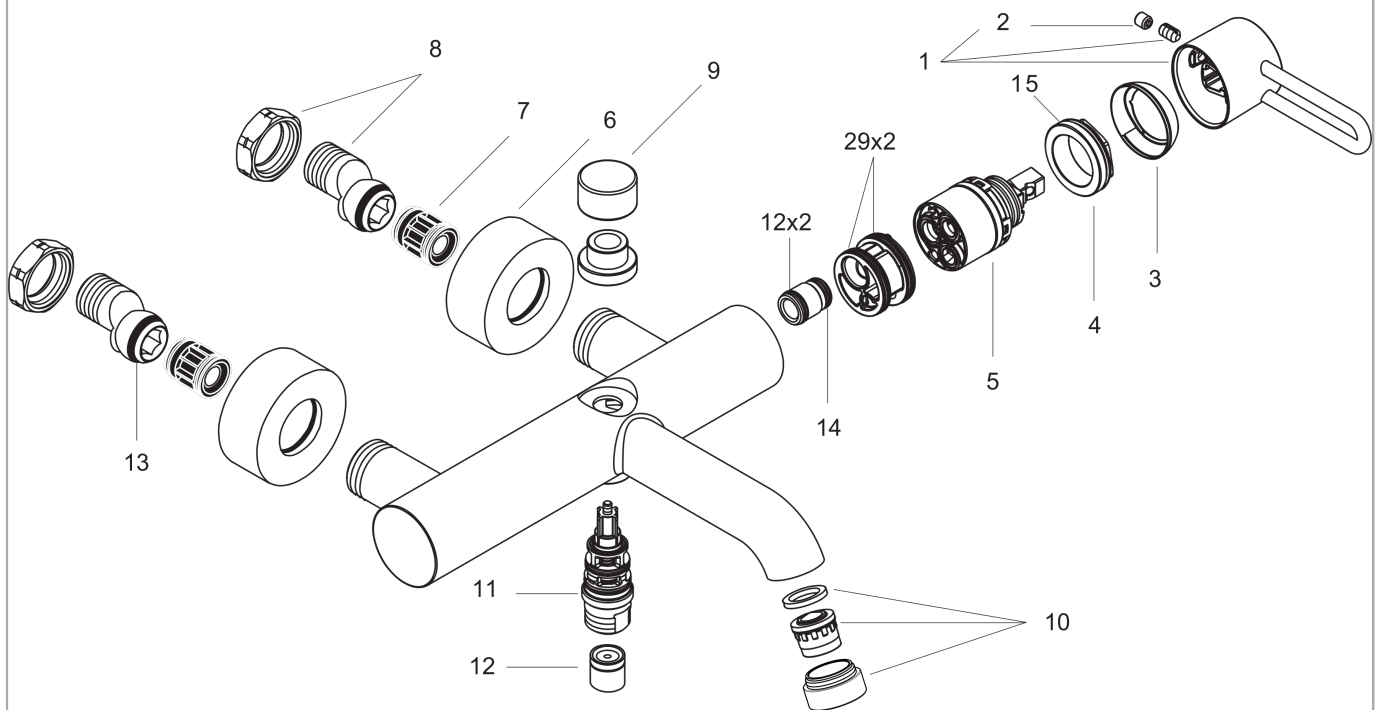


AXOR Uno²
Single lever bath mixer for exposed installation
Surfaces: **Chrome** Article Number: **38420000**



Exploded Drawing

Year of production: **09/04 - 12/18**



AXOR Uno²
Single lever bath mixer for exposed installation
 Surfaces: **Chrome** Article Number: **38420000**



Spare part list

Year of production: **09/04 - 12/18**

Pos.	Description	Article Number	PC	PU
1	handle	38094000	12	1
2	screw cover	96762000	1	1
3	flange	96763000	3	1
4	nut	97209000	5	1
5	cartridge, assy	92730000	11	1
6	escutcheon Ø 59 mm	97507000	8	1
7	noise reduction	96429000	2	1
8	set of S-unions with nuts	96742000	10	1
9	diverter knob	97355000	10	1
10	aerator M24x1 (25 l/min)	97356000	9	1
11	selector assy	94077000	9	1
12	set of non return valves DW 15	94074000	5	1
13	O-ring 18x2,5	98139000	1	1
14	O-ring 11x2	98127000	1	1
15	O-ring 33x2	98154000	1	1
a	diverter fixing device	97211000	1	1