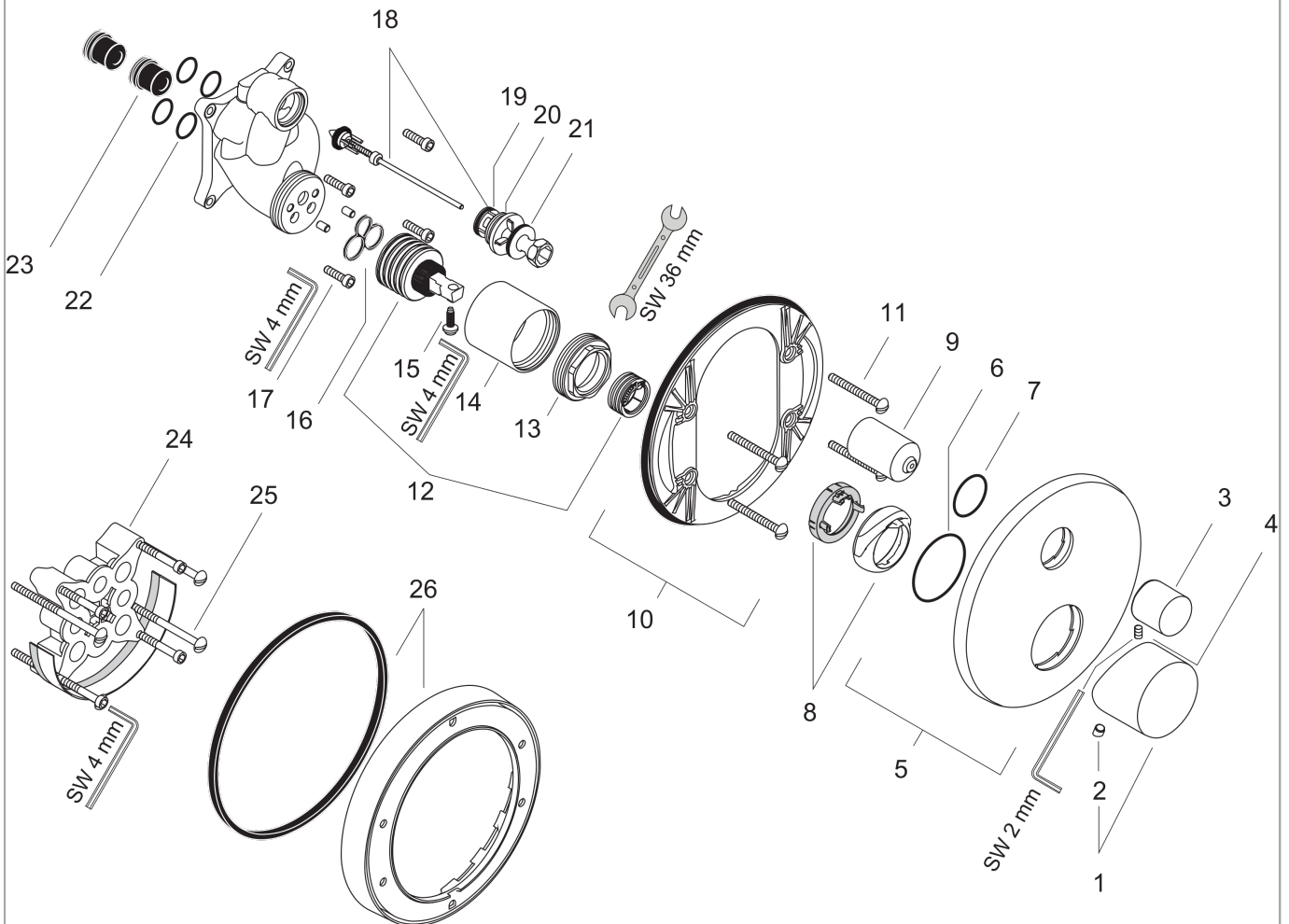


AXOR Uno
Single Lever Bath Mixer for concealed installation with Zero-Handle
 Surfaces: **Chrome** Article Number: **38405000**



Exploded Drawing

Year of production: **05/10 - 12/10**



AXOR Uno
Single Lever Bath Mixer for concealed installation with Zero-Handle
 Surfaces: **Chrome** Article Number: **38405000**



Spare part list

Year of production: **05/10 - 12/10**

Pos.	Description	Article Number	PC	PU
1	handle	38090000	11	1
2	screw cover	96338000	1	1
3	diverter knob	96473000	10	1
4	hollow set screw M4x10	97667000	1	1
5	escutcheon Ø 170 mm	96453000	11	1
6	O-Ring 48x3	95508000	1	1
7	O-ring 29x3	98371000	2	1
8	flange (Rotating Protector)	96395000	9	1
9	sleeve	96448000	9	1
10	sub plate	96447000	10	1
11	set of fixing screws	96454000	3	1
12	cartridge, assy	92730000	11	1
13	nut	96461000	8	1
14	sleeve	98713000	10	1
15	locking screw for handle	95140000	2	1
16	seal	95008000	3	1
17	set of screws	96525000	3	1
18	selector assy	95014000	11	1
19	O-ring 16x2,3	98207000	1	1
20	O-ring 20x2,5	92602000	2	1
21	O-ring 21x2	98205000	2	1
22	O-ring 16x2	98133000	1	1
23	noise reduction	94073000	7	1
24	extension 25 mm	13595000	98	1
25	set of fixing screws	97747000	1	1
26	extension 22 mm (Ø 170 mm)	13596000	98	1
a	concealed item	01800180	98	1
b	spring for exchanged connections	96365000	9	1