

TECE data sheet

Status as of 31.07.2019



TECEdrainpoint S grate frame plastic, 150 mm, incl. design grate

Article number: 3660003

DU 1: 1 pc.

Description:

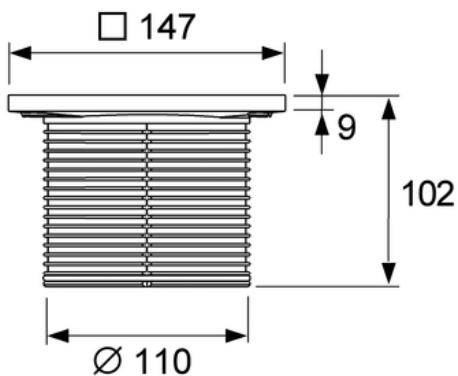
Set consisting of drain top with grate frame (plastic) and TECEdrainpoint S design grate 142 x 142 mm.

- Drain top with grate frame made of plastic (ABS)
- O-ring seal
- Outer diameter = 110 mm
- Height adjustment = 12-92 mm
- TECEdrainpoint S design grate made of drawn stainless steel, material 1.4301 (304), dimensions 142 x 142 mm, polished surface, load class K3 (load up to 300 kg)

Sales data:

TECEdrainpoint S grate frame plastic 150 x 150 incl. design grate

Dimensional drawings:



Spare parts:



1 3695003 O-ring seal for drain top with 110 mm