

TECE data sheet

Status as of 19.08.2019



TECEDrainpoint S 122 drain set standard with Seal System universal flange and stainless steel grate frame

Article number: 3601202

DU 1: 1 pc.
DU 2: 10 pc.



Description:

Floor drain set TECEDrainpoint S 122 horizontal, DN 50, stainless steel grate frame with stainless steel grate and 2-stage membrane odour trap.

- Drain body DN 50 horizontal, made of plastic (PP)
- With universal flange for connection of composite seals in accordance with DIN 18534 or clamped flange connections
- With integrated ball joint
- With lateral inflow DN 40 incl. closure plug
- With removable 2-stage membrane odour trap
- 50 mm sealing water and additional sealing lip membrane
- Drain top with grate frame made of plastic (ABS) and O-ring seal
- Grate frame made of drawn stainless steel, material 1.4301 (304), for grate dimensions 100 x 100 mm
- TECEDrainpoint S design grate made of drawn stainless steel, material 1.4301 (304), dimensions 100 x 100 mm, polished surface, load class K3 (load up to 300 kg)

Drainage capacity to DIN EN 1253 at 10/20 mm water level over grate:

- With minimum height of the drain top: 0.54/0.85 l/s
- With maximum height of the drain top: 0.71/1.35 l/s

Delivery incl. protective cap, protective foil for on-site protection during construction, and assembly instructions.

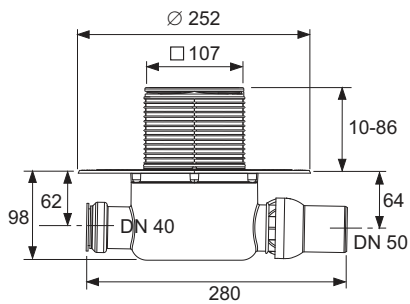
Sales data:

TECEDrainpoint S 122 drain set standard Seal System universal flange stainless steel grate frame

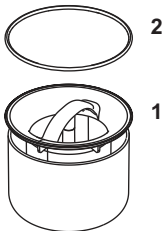
TECE data sheet

Status as of 19.08.2019

Dimensional drawings:



Spare parts:



- | | | |
|---|---------|-----------------------------------------------------------------------------------------------------------|
| 1 | 3695001 | Odour trap standard made of PP for horizontal and vertical outlets DN 50 standard and DN 70, height 83 mm |
| 2 | 3695003 | O-ring seal for drain top with 110 mm |