

**CODE NUMBER**

3400100

**DESCRIPTION**

1.6 gpf, Filtered, Polished Chrome Finish, Fixture Connection Rear Spud, Single Flush, Electrical Override, Battery, TruFlush Concealed Sensor Water Closet Flushometer.

**DETAILS**

- Flush Volume: 1.6 gpf (6.0 Lpf)
- Finish: Polished Chrome (CP)
- Power Type: Battery ( )
- Battery Life: 5 years
- Valve: Piston
- Bypass: Filtered ( )
- Valve Body Material: Semi-red Brass
- Fixture Type: Water Closet
- Fixture Connection: Rear Spud
- Override: Electrical (OR)

**FEATURES**

- Piston color-coded by flush volume for easy identification
- Corrosion-resistant, vandal resistant wall plate
- Self-adaptive Infrared Sensor with Lobular Sensing Fields for accurate target detection
- Electronic Courtesy Flush® Override Button
- Four (4) Size AA batteries included
- "Low Battery" Flashing LED
- Ability to hardwire with battery backup
- Initial target detection Indicator Light (first 10 minutes)
- Flood prevention feature limits flow to a trickle in wide open position
- Heavy duty brass valve body
- Safety collar locks activation assembly to prevent access of internal components without shutting off water
- Replaceable piston assembly, accessible by removing front wall plate
- Concealed shut off sleeve adjusts flow rate
- 1-1/2" NPT (female) Inlet standard
- 1-1/2" NPSM Outlet standard
- Fixed Volume Piston with Filtered O-ring Bypass

**VIDEOS**

- ▶ TruFlush
- ▶ TruFlush Installation
- ▶ TruFlush Maintenance
- ▶ TruFlush Flush Line

**COMPLIANCES & CERTIFICATIONS**

(ADA Compliant, cUPC Certified (Requires use of listed vacuum breaker that complies with ASSE 1001))

**RECOMMENDED SPECIFICATION**

Valve shall be concealed with front access wall plate smaller than 7" x 7" and shall have integrated control stop. Valve shall be in compliance with ASTM Alloy Classification for Semi-Red Brass.

**ELECTRICAL SPECIFICATIONS**

- Arming Delay: 8 seconds
- Battery Life: 5 years
- Control Circuit: 6 VDC Input/Solid State
- Flush Delay: 3s
- Self-Adaptive Window: ±12
- Sensor Range: 22"-46" (559-1,168mm)
- Solenoid Operator: 6 VAC
- Transformers (specify separately):
  - EL-386 (Up to 1 flushometer)
  - EL-451 (up to 6 flushometers)

**VALVE OPERATING PRESSURE (FLOWING)**

15-80 PSI (103-552 kPa). Specific fixtures may require greater minimum flowing pressure - consult manufacturer requirements.

**DOWNLOADS**

- [TruFlush Sensor Installation Instructions](#)
- [TruFlush Sensor Installation Instructions \(Spanish\)](#)
- [TruFlush Sensor Repair and Maintenance Guide](#)
- [Additional Downloads](#)

**NOTES**

All information contained within this document subject to change without notice.

Looking for other variations of the TRF 8156 product? [View the general spec sheet with all options.](#)

Sloan 10500 Seymour Ave, Franklin Park, IL 60131

Phone: 800.982.5839 • Fax: 800.447.8329 • [sloan.com](http://sloan.com)

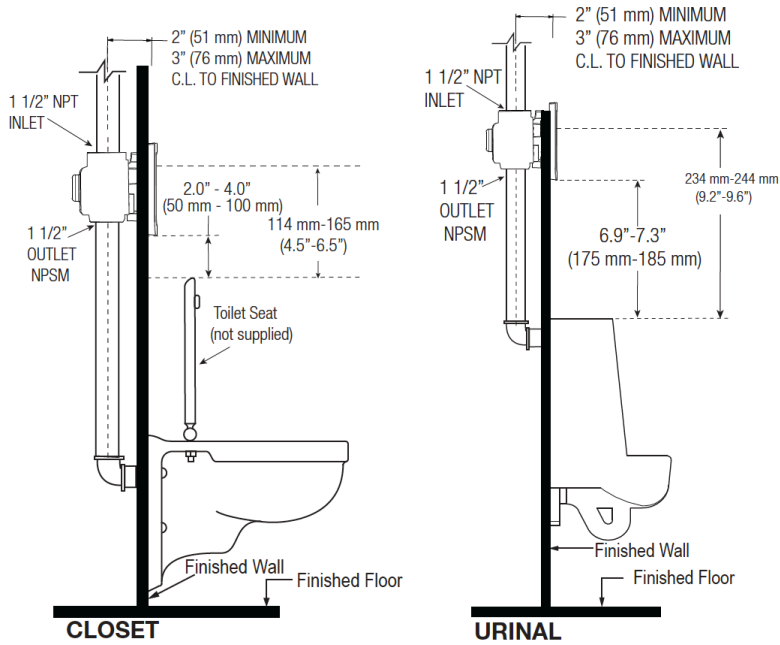
Find a compatible urinal for this flushometer.  
Find a compatible water closet for this flushometer.

Battery life varies according to actual usage and restroom conditions.

**WARRANTY**

[View Warranty Information](#)

**ROUGH-IN**



NOTE : Flush Connections shown in dotted lines not included.

