

**AFWALL® FloWise® ELONGATED TOILET
with EVERCLEAN®**

- Wall-mounted flushometer valve toilet
- Vitreous china
- High Efficiency, Low Consumption. Operates in the range of 1.1 gpf to 1.6 gpf (4.2 Lpf to 6.0 Lpf)
- Meets definition of HET (High Efficiency Toilet) when used with a high efficiency flush valve (1.1 gpf / 1.28 gpf and 1.6 / 1.1 gpf dual flush)
- Permanent EverClean® surface inhibits the growth of stain- and odor-causing bacteria, mold, and mildew on the surface
- Condensation channel
- Elongated bowl
- Powerful direct-fed siphon jet action
- 1-1/2" inlet spud
- Fully-glazed 2-1/8" trapway
- 10" x 12" water surface area
- 100% factory flush tested

- 3351.001** Elongated bowl only, top spud
- 3352.001** Elongated bowl only, top spud with slotted rim for bedpan holding
- 3353.001** Elongated bowl only, back spud
- 3354.001** Elongated bowl only, back spud with slotted rim for bedpan holding

System MaP* Score:

- 1,000 grams of miso @ 1.6 gpf or 1.28 gpf when used with an American Standard flush valve
- * Maximum Performance (MaP) testing performed by IAPMO R&T Lab. MaP Report conducted by Veritec Consulting, Inc. and Koeller and Company.

Component Parts:

- 047007-0070A** Inlet Spud (furnished with bowl)

Nominal Dimensions:

660 x 356 x 381mm
(26" x 14" x 15")

Recommended working pressure—between 25 psi at valve when flushing and 80 psi static

Fixture only, less seat, bolt caps, and flushometer valve

Compliance Certifications -

Meets or Exceeds the Following Specifications:

- ASME A112.19.2-2008/CSA B45.1-08 for Vitreous China Fixtures



MEETS THE AMERICANS WITH DISABILITIES ACT GUIDELINES AND ANSI A117.1 REQUIREMENTS FOR ACCESSIBLE AND USABLE BUILDING FACILITIES - CHECK LOCAL CODES.

- When installed so top of seat is 432 to 483mm (17" to 19") from the finished floor.



SEE REVERSE FOR ROUGHING-IN DIMENSIONS

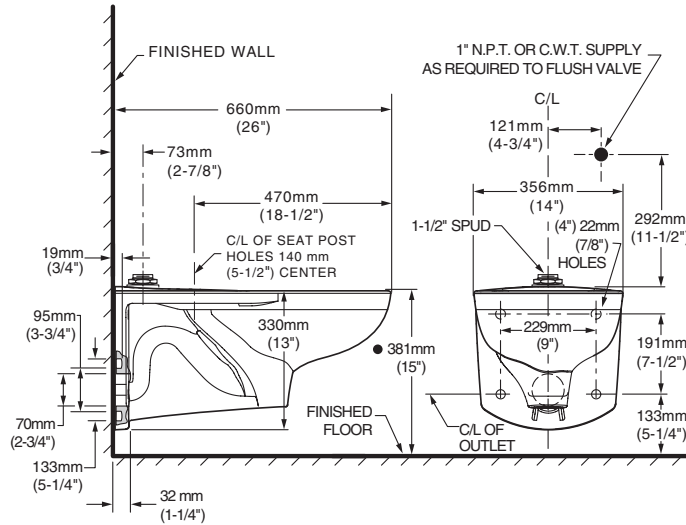
To Be Specified:

- Color: White
- Seat:
 - American Standard #5901.100 Heavy duty open front less cover
 - American Standard #5905.100 Extra heavy duty open front less cover
- Flushometer Valve:
 - 1.6 gpf:
 - Sensor-Operated: American Standard Selectronic® DC Power #6065.161.002 (Top Spud)
 - Sensor-Operated: American Standard Selectronic® AC Power #6067.262.002 (Back Spud)
 - Manual: American Standard #6047.161.002 (Top Spud)
 - 1.28 gpf:
 - Sensor-Operated: American Standard Selectronic® DC Power #6065.121.002 (Top Spud)
 - Sensor-Operated: American Standard Selectronic® AC Power #6067.222.002 (Back Spud)
 - Manual: American Standard #6047.121.002 (Top Spud)
 - 1.6 / 1/1 gpf Dual Flush:
 - Sensor-Operated: American Standard Selectronic® DC Power #6065.761.002 (Top Spud)

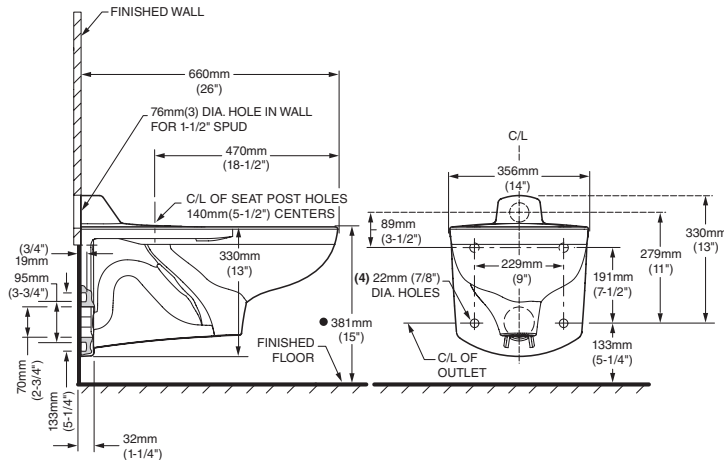
EVERCLEAN®
Surface



3351.001/3352.001



3353.001/3354.001



NOTES:

● Toilet designed to meet ADA accessibility standards when top of seat height set at 432 to 483mm (17" to 19") from finished floor.

PRODUCT 3351 AND 3353 SHOWN, 3352 AND 3354 SAME EXCEPT WITH SLOTTED RIM FOR BED PAN HOLDING.

WASTE OUTLET SEAL RING MUST BE NEOPRENE OR GRAPHITE-FELT (WAX RING NOT RECOMMENDED).

SUGGESTED 2mm (1/16) CLEARANCE BETWEEN FACE OF WALL AND BACK OF BOWL.

TO COMPLY WITH AREA CODE GOVERNING THE HEIGHT OF VACUUM BREAKER ON THE FLUSHOMETER VALVE, THE PLUMBER MUST VERIFY DIMENSIONS SHOWN FOR SUPPLY ROUGHING.

FLUSHOMETER VALVE NOT INCLUDED WITH FIXTURE AND MUST BE ORDERED SEPARATELY.

CARRIER FITTING AS REQUIRED TO BE FURNISHED BY OTHERS. PROVIDE SUITABLE REINFORCEMENT FOR ALL WALL SUPPORT.

IMPORTANT: Dimensions of fixtures are nominal and may vary within the range of tolerances established by ANSI Standard A112.19.2. These measurements are subject to change or cancellation. No responsibility is assumed for use of superseded or voided pages