

Talis

Single lever bath mixer for exposed installation with extra long handle

Surfaces: **Chrome** Article Number: **32441000**



Description

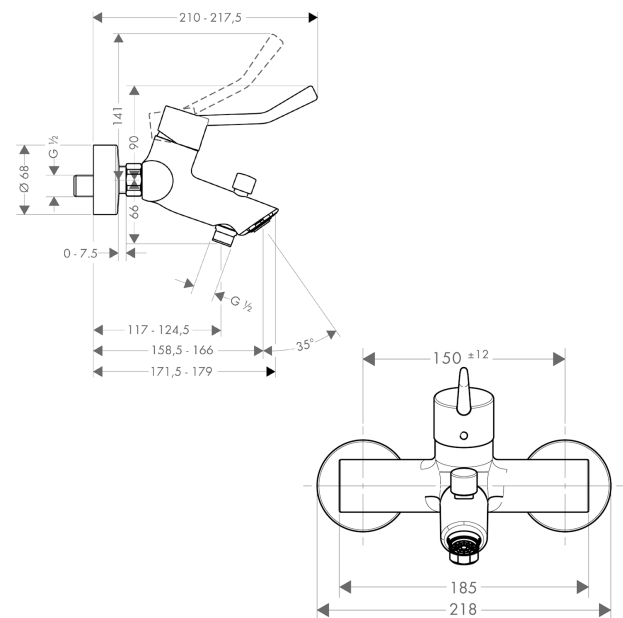
product features

- projection 158.5 - 166 mm
- connection type: s-shaped connections
- centre distance: 150 ± 12 mm
- flow rate at 3 bar: 22 l/min
- ceramic cartridge
- min. operating pressure: 1 bar
- max. operating pressure: 10 bar
- temperature limitation adjustable
- with automatic resetting
- non-return valve
- with silencer
- suitable for continuous flow water heaters
- connection dimension: DN15
- SINTEF 1435

Product image



Scale drawing



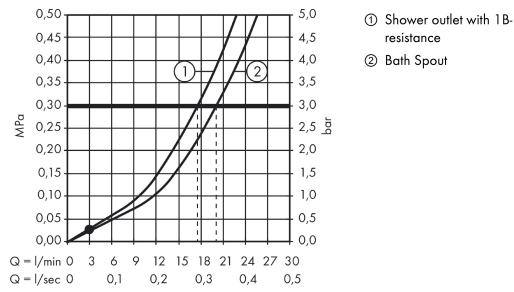
Talis

Single lever bath mixer for exposed installation with extra long handle

Surfaces: **Chrome** Article Number: **32441000**



Flowchart



Talis

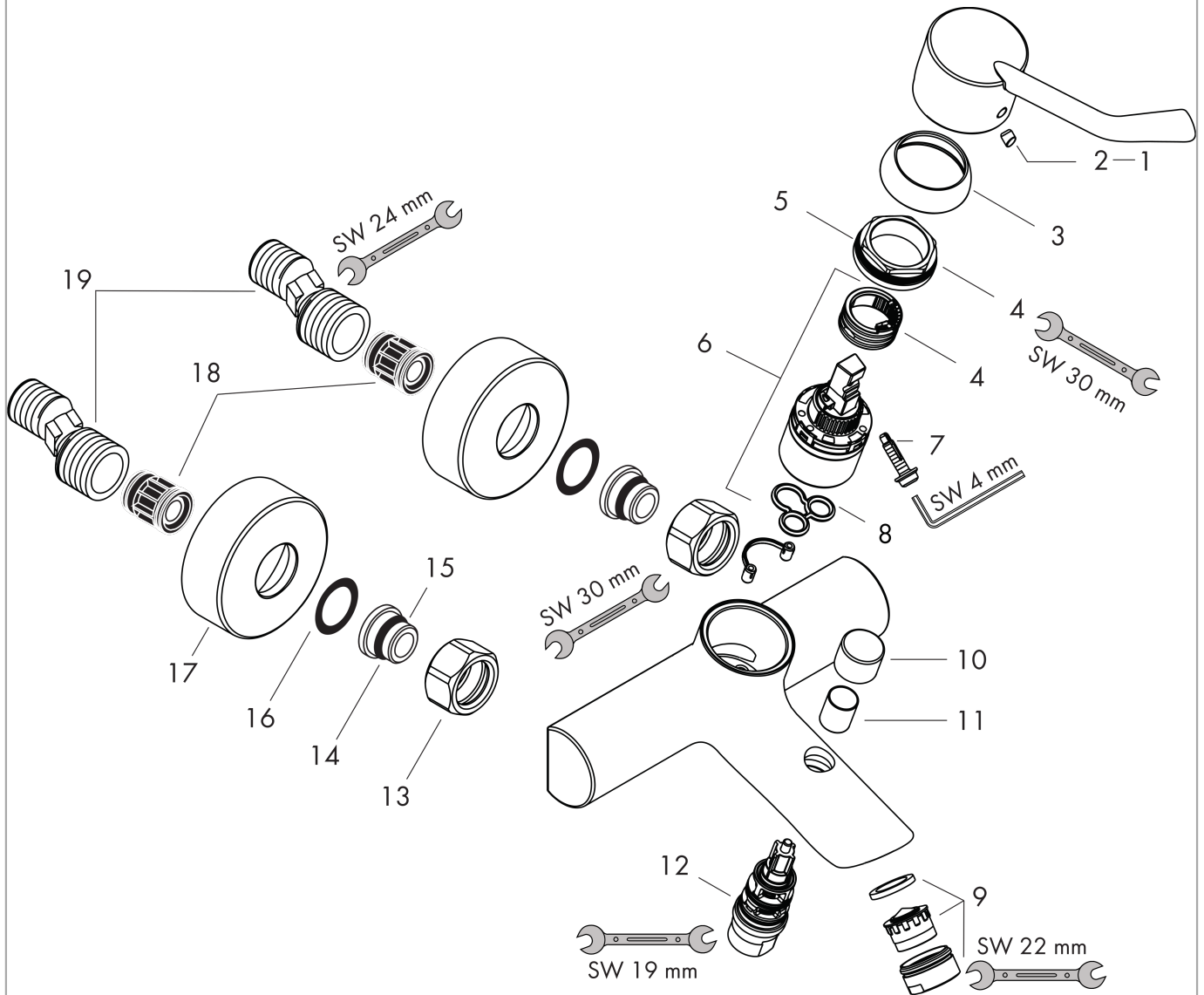
Single lever bath mixer for exposed installation with extra long handle

Surfaces: **Chrome** Article Number: **32441000**



Exploded Drawing

Year of production: >06/14



Talis

Single lever bath mixer for exposed installation with extra long handle

Surfaces: **Chrome** Article Number: **32441000**



Spare part list

Year of production: >06/14

Pos.	Description	Article Number	PC	PU
1	handle	95817000	13	1
2	screw cover	96338000	1	1
3	flange	97406000	6	1
4	nut	97209000	5	1
5	O-Ring 32x2	98193000	1	1
6	cartridge, assy	92730000	11	1
7	locking screw for handle	95140000	2	1
8	seal	95008000	3	1
9	aerator laminar M24x1 C	98305000	5	1
10	diverter knob	97981000	6	1
11	sleeve	97979000	5	1
12	selector	97978000	11	1
13	set of nuts	96157000	8	1
14	connecting thread	97220000	5	1
15	O-ring 15x2	98163000	1	1
16	filter packing	96922000	3	1
17	escutcheon Ø 68 mm	96467000	6	1
18	noise reduction	96429000	2	1
19	set of S-unions (±12 mm)	94140000	10	1
a	set of S-unions (±32 mm)	98592000	9	1
b	diverter fixing device	97211000	1	1