

## Focus

**Electronic basin mixer 130 with temperature control mains connection 230 V**

Surfaces: **Chrome** Article Number: **31173000**



## Description

### product features

- ComfortZone 130
- projection 127 mm
- flow rate at 3 bar: 5 l/min
- theft-proof aerator
- temperature limitation adjustable
- temperature adjustable via mixer lever on the side
- non-return valve
- suitable for continuous flow water heaters
- infrared sensor technology
- automatic environmental adjustment of infrared sensor
- adjustable optical range of infrared sensor (2 settings)
- 230 V / 50 Hz mains connection
- hygiene rinse activatable (automatic water flow for 10 seconds every 24 hours following the last operation)
- permanent rinse activatable (single water flow for 180 seconds, suitable for thermal disinfection)
- manual water stop for washbasin cleaning
- performance may be impaired if the sensor is obscured by the design of the wash basin, or when the wash basin is oversized and the distance between sensor and the wash basin edge is larger than 75 mm
- functional restriction due to too large distance
- connection dimension: DN15
- TÜV certified
- dirt filters in the connection hoses
- two filter units with fine filter to protect from incoming dirt, for assembly on existing angle valves, filter element can be removed and cleaned

## Technology



## Design awards



product design award

2012

## Focus

Electronic basin mixer 130 with temperature control mains connection 230 V

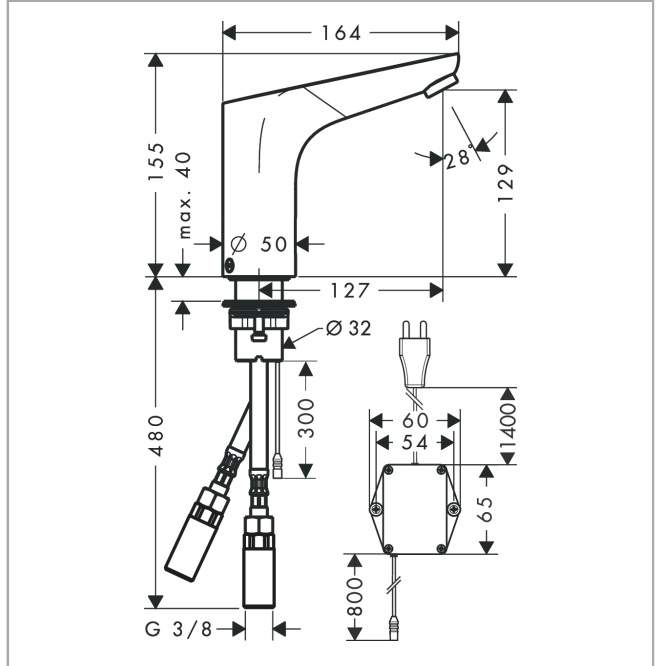
Surfaces: **Chrome** Article Number: **31173000**



### Product image



### Scale drawing



### Flowchart

