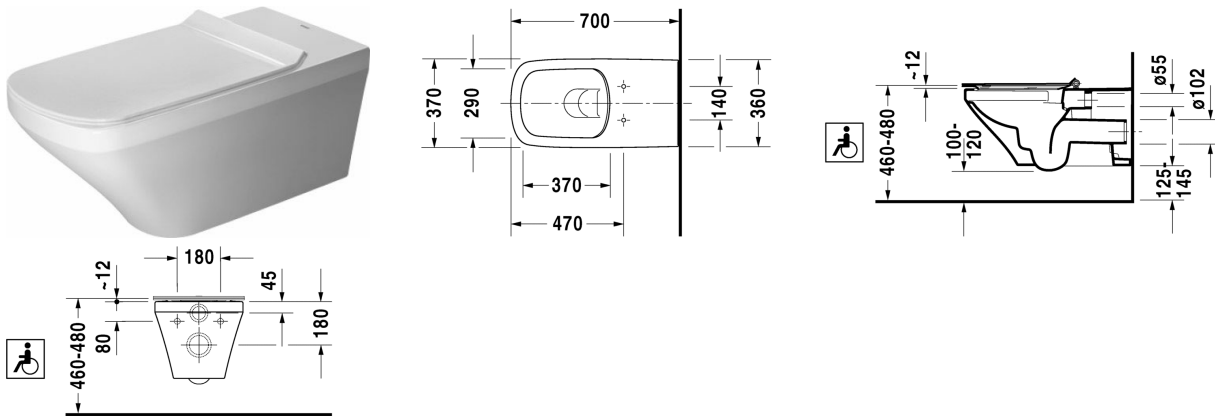


Toilet wall mounted Duravit Rimless® # 255909..00 / 255909..00

| < 370 mm > |



Toilet wall mounted Duravit Rimless®	Dimension	Weight	Order number
rimless, washdown model, suitable for barrier-free applications, Projection 700 mm, Durafix included, UWL class 1, 4,5 litre flush			
Colors			
00 White Alpin 20 HygieneGlaze (an antibacterial ceramic glaze that provides almost indefinite effectiveness)			
Variant			
•	370 x 700 mm	30.500 kg	255909..00
•	370 x 700 mm	30.500 kg	255909..00
Infobox			
Durafix for invisible fixation is included in delivery, If pre-wall carrier not used, the fixing # 006500 is recommended			
Sanitary ceramics with the special WonderGliss surface finish will remain clean and attractive-looking for a long time to come. When ordering WonderGliss please add a "1" as eleventh digit to the model number.			
Accessory			
Noise reduction gasket for wall mounted toilet		0.300 kg	005064
Fixing for wall mounted bidet and wall mounted toilet	Ø 12 x 180 mm	0.200 kg	006500
Suitable products			
Toilet seat and cover removable, elongated, hinges stainless steel, without automatic closure,			006051
Toilet seat and cover removable, elongated, hinges stainless steel, with automatic closure,			006059

**Toilet wall mounted Duravit Rimless® # 255909..00 /
255909..00**

|< 370 mm >|

Toilet seat and cover elongated, with lateral reinforcement and extended hinge shaft, hinges stainless steel, without automatic closure,	006231
Toilet seat ring elongated, with lateral reinforcement and extended hinge shaft, hinges stainless steel, without automatic closure,	006251
Toilet seat and cover elongated, with lateral reinforcement and extended hinge shaft, hinges stainless steel, with automatic closure,	006239

All drawings contain the necessary measurements which are subject to standard tolerances. Exact measurements, in particular for customised installation scenarios, can only be taken from the finished ceramic piece.