

CODE NUMBER

2102229

DESCRIPTION

Vitreous China Floor-Mounted Rear Outlet Water Closet.

DETAILS

- Flush Volume: 1.28-1.6 gpf (4.8-6.0 Lpf)
- Flush volume determined by the flushometer used with the fixture
- Rim Height: 16 ½" (419mm)
- Nominal Dimensions: 26 ¾" x 14" x 16 ½" (679 x 356 x 419mm)

FEATURES

- White Vitreous China
- Universal model works with Sloan flushometers from 1.1 to 1.6 gpf
- Elongated bowl
- Floor mounted, rear outlet
- Water spot area: 10¾" x 8" (26 cm x 24 cm)
- 1½" I.P.S. top spud inlet
- 2⅝" fully glazed trapway
- Syphonjet flushing achieves up to 1000g Map Scores when used with Sloan flushometers
- Closet bolts and caps included
- Toilet seat not included

RECOMMENDED SEATS

- Bemis - 1955CT/1955SSCT & 2155CT/2155SSCT
- Church - 295CT/295SSCT & 2155CT/2155SSCT

PLUMBING SYSTEM REQUIREMENTS

- Minimum Flowing Pressure: 25 PSI (172 kPa)
- Maximum Static Pressure: 80 PSI (552 kPa)

DOWNLOADS

- [HET ST-2229 Series Installation Instructions](#)
- [SS/ST/SU/WETS/WEUS Fixtures Repair and Maintenance Guide](#)
- [Additional Downloads](#)



COMPLIANCES & CERTIFICATIONS



(ADA Compliant, CEC Compliant, cUPC Certified, EPD, HPD, WaterSense Listed, WELL Building Standard)

NOTES

All information contained within this document subject to change without notice.

All vitreous china dimensions shown in these drawings are nominal and not to scale. Dimensions can vary within the tolerances established in the governing ASME A112.19.2/CSA B45.1 standard. It is important to consider this when planning rough-in and plumbing layouts.

Static load tested according to the procedure outlined in Section 6.7 of ASME A112.19.2. Not recommended for bariatric use.

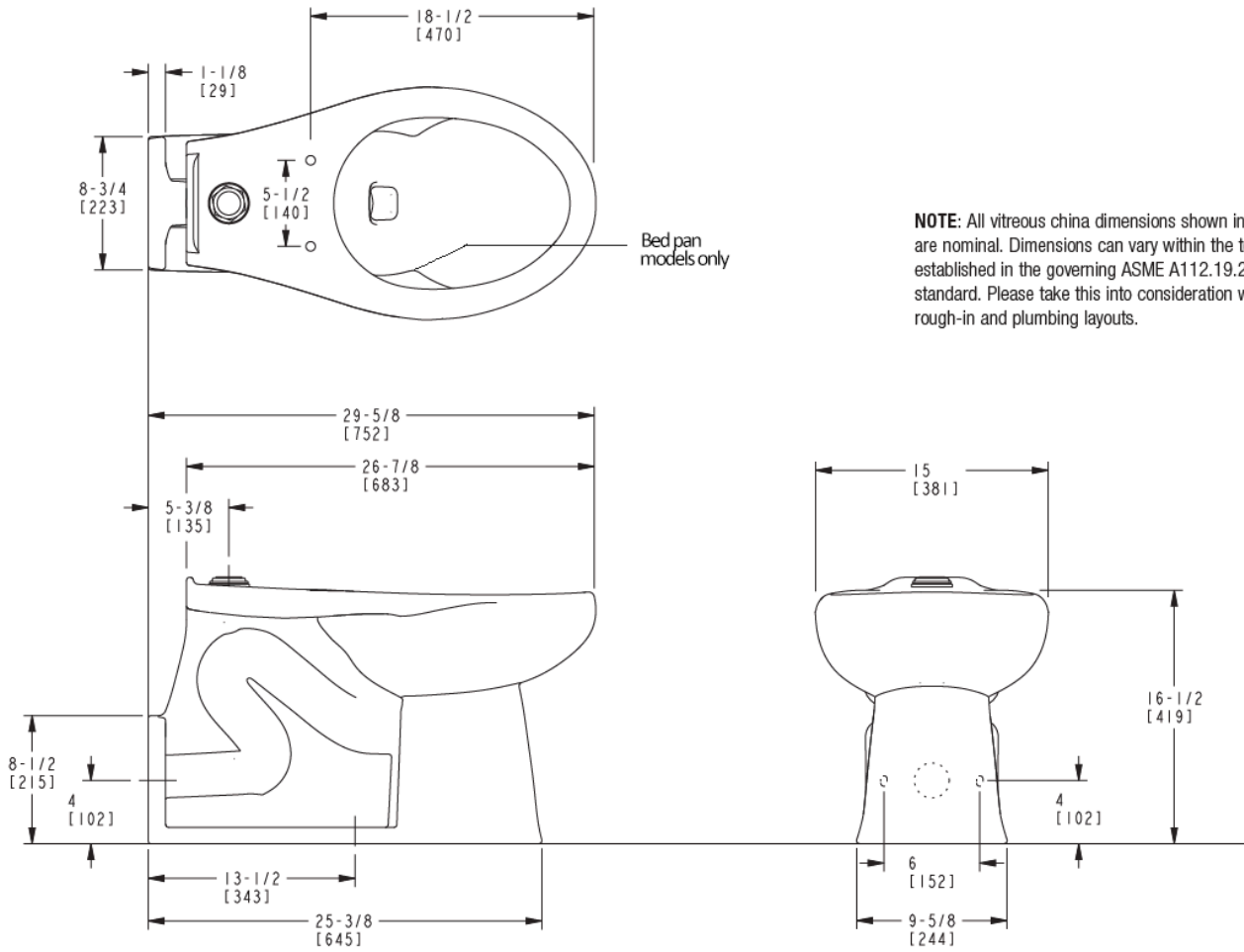
[Find a compatible flushometer](#) for this water closet.

WaterSense compliant when used with a WaterSense compliant flushometer

WARRANTY

[View Warranty Information](#)

ROUGH-IN



NOTE: All vitreous china dimensions shown in these drawings are nominal. Dimensions can vary within the tolerances established in the governing ASME A112.19.2/CSA B45.1 standard. Please take this into consideration when planning rough-in and plumbing layouts.