

AXOR Carlton
3-hole basin mixer 50 with pop-up waste set and cross handles
 Surfaces: **Chrome** Article Number: **17133000**



Description

product features

- consists of: 3-hole basin mixer, waste set
- ComfortZone 50
- projection 136 mm
- normal spray
- flow rate at 3 bar: 5 l/min
- ceramic valves hot/ cold 180°
- suitable for continuous flow water heaters
- pop-up waste set G 1¼
- connection type: G ¾ connections
- connection dimension: DN15
- P-IX 3576/IA
- ACS 18 ACC NY 145, valide jusqu'au 17.05.2023
- JWWA C-501
- KCW-2018-0161_WTM_WSW

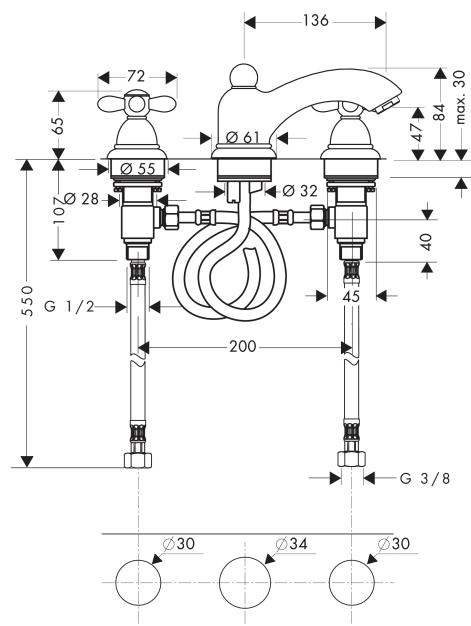
Technology



Product image



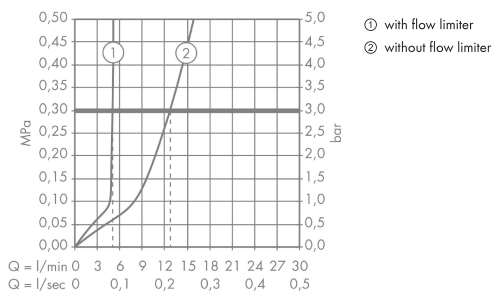
Scale drawing



AXOR Carlton
3-hole basin mixer 50 with pop-up waste set and cross handles
 Surfaces: **Chrome** Article Number: **17133000**



Flowchart

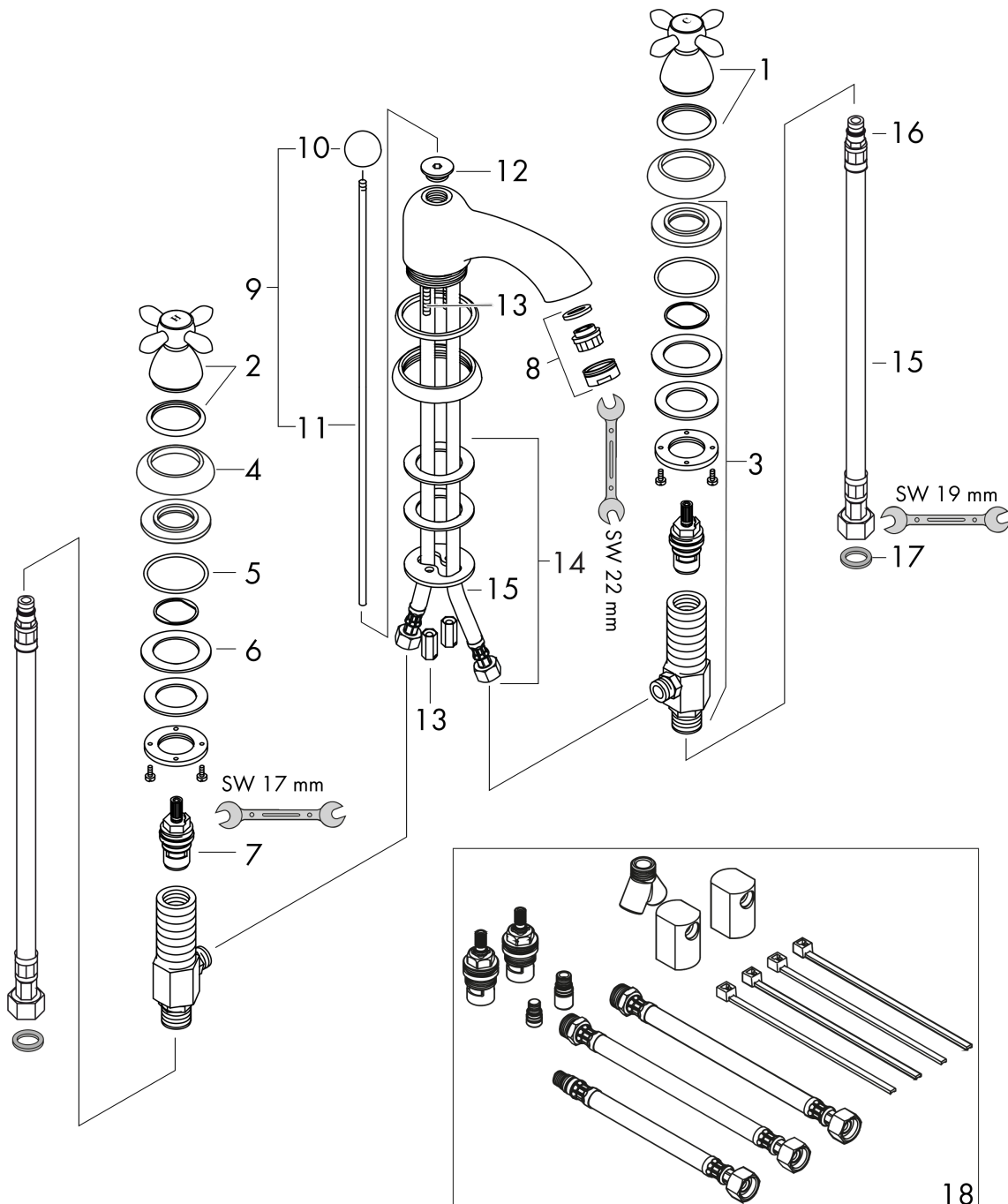


AXOR Carlton
3-hole basin mixer 50 with pop-up waste set and cross handles
 Surfaces: **Chrome** Article Number: **17133000**



Exploded Drawing

Year of production: >10/10



AXOR Carlton
3-hole basin mixer 50 with pop-up waste set and cross handles
 Surfaces: **Chrome** Article Number: **17133000**



Spare part list

Year of production: >10/10

Pos.	Description	Article Number	PC	PU
1	handle for cold water	17291000	14	1
2	handle for hot water	17292000	14	1
3	stop valve cpl.	92933000	15	1
4	escutcheon for handle	94035000	6	1
5	O-ring 40x3	92634000	1	1
6	lever collar	97548000	1	1
7	shut off unit	94149000	8	1
8	aerator M24x1 (5 l/min)	13185000	98	1
9	pop up rod	94028000	8	1
10	diverter knob	94086000	6	1
11	pull rod	94067000	6	1
12	deco-ring	97824000	5	1
13	threaded rod and nut	97654000	2	1
14	fixing set	94138000	9	1
15	connection hose 450 mm M10x1 G3/8	96507000	9	1
16	O-ring 8x1,75	97827000	1	1
17	sealing set	95581000	2	1
18	Hose extension set for 3-Hole Basin Mixer	38959000	98	1
a	pop up waste	94139000	98	1
b	aerator M24x1 (3,5 l/min)	92508000	9	1
c	aerator M24x1 (4,5 l/min)	92877000	6	1
d	aerator swivelling M24x1 (5 l/min)	95928000	8	1