

AXOR Montreux

2-handle basin mixer 220 with cross handles and pop-up waste set

Surfaces: **Brushed Nickel** Article Number: **16510820**



Description

product features

- consists of: 2-handle basin mixer, waste set
- ComfortZone 220
- projection 175 mm
- swivel range 120°
- normal spray
- flow rate at 3 bar: 5 l/min
- ceramic valves hot/ cold 90°
- suitable for continuous flow water heaters
- pop-up waste set G 1¼
- connection type: G ¾ connections
- connection dimension: DN15

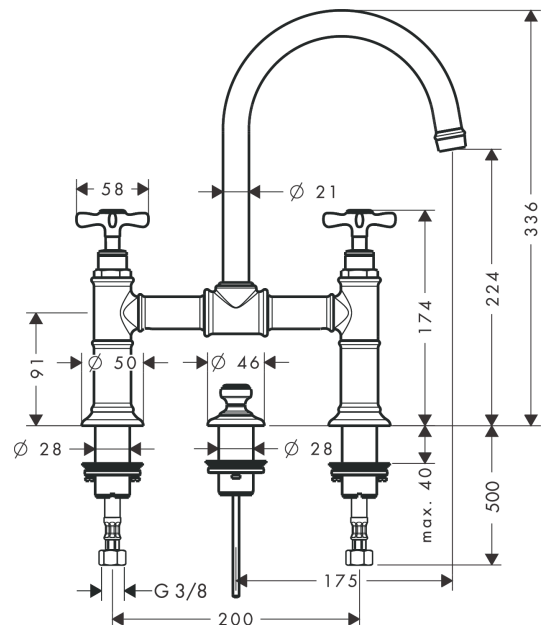
Technology



Product image



Scale drawing



Flowchart

