

AXOR Starck Organic
Shower thermostat for exposed installation
 Surfaces: **Chrome** Article Number: **12602000**



Description

product features

- 1 outlet
- centre distance: 150 ± 12 mm
- flow rate at 3 bar: 20 l/min
- thermostat cartridge
- min. operating pressure: 1 bar
- max. operating pressure: 10 bar
- safety lock at 40° C
- temperature limitation adjustable
- non-return valve
- with silencer
- connection type: s-shaped connections
- connection dimension: DN15

Design awards



reddot design award

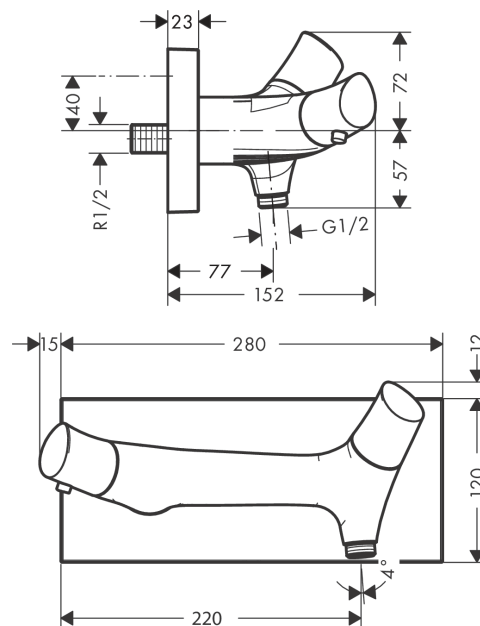


reddot design award
 best of the best 2013

Product image



Scale drawing



Flowchart

