

AXOR Starck Organic
2-handle bidet mixer with pop-up waste set
 Surfaces: **Chrome** Article Number: **12210000**



Description

product features

- consists of: 2-handle bidet mixer, waste set
- projection 143 mm
- aerator with ball pivot
- normal spray
- flow rate at 3 bar: 3.5 l/min
- flow rate booster: 7.2 l/min
- ceramic cartridge for temperature control, ceramic valve for volume control
- temperature limitation adjustable
- separation of temperature and volume control
- isolated water conduction
- suitable for continuous flow water heaters
- pop-up waste set G 1¼
- connection dimension: DN15

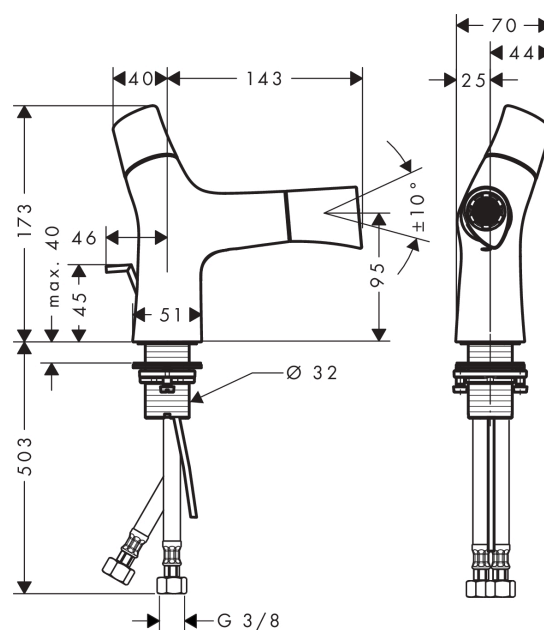
Technology



Product image



Scale drawing



AXOR Starck Organic
2-handle bidet mixer with pop-up waste set
 Surfaces: **Chrome** Article Number: **12210000**



Flowchart

